

Product description

MAIN FEATURES

The Guardbox 33 Pro is a robust aluminium profile case with a timeless design. In addition to its handiness, shape and colour, it convinces with its stackable construction. Thanks to printable inlay strips, the enclosure can be very easily customised. Special grooves for PCB inserts or square nuts make it a piece of cake to fasten the technology inside.

- Internal dimensions: 230.5 x 89 mm
- Variable depth
- Stackable
- Impact-absorbing plastic frame (elastomers, NBR 95 Shore A)
- Optional EMC shielding (only in combination with powder coating)
- Printable insert strips
- Ventilation openings optional
- Tested for shock and vibration according to EN 50155, EN61373

Guardbox 33 Pro



Easy labelling of the enclosure due to individually printable insert strips





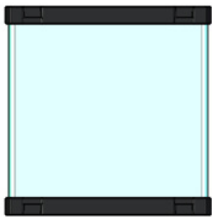
PRODUCT VARIATIONS

- Standard depths: 180 mm, 240 mm, 300 mm or 360 mm
- Colours: Aluminium (colourless anodised), black, light grey (powder-coated)
- Insert strips custom printed

TYPICAL APPLICATIONS

- Testing and measuring equipment
- Therapy equipment
- Field applications

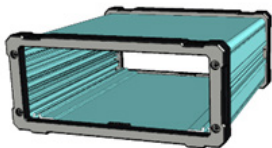
Measurements

	
	<p>Inside Width x Height x Depth 230 x 85 x Depth</p> <p>Outside Width x Height x Depth 280 x 116 x Depth + 26</p>

Guardbox 33 Pro

Delivery without ventilation:

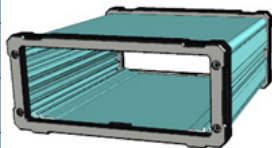
- Enclosure without ventilation slots incl. black frame and fixing material.
- **Important:** Order front / rear panels and trims separately

Surface	Depth	Depth	Depth	Depth	
	180 mm	240 mm	300 mm	360 mm	
Colourless anodised	33-801	33-802	33-803	33-804	
Black	33E801-06	33E803-06	33E803-06	33E804-06	
Light grey	33E801-03	33E802-03	33E803-03	33E804-03	

Guardbox 33 Pro

Delivery with ventilation screens:

- Enclosure with ventilation slots incl. black frame and fixing material.
- **Important:** Order front / rear panels and trims separately

Surface	Depth	Depth	Depth	Depth	
	180 mm	240 mm	300 mm	360 mm	
Colourless anodised	-	33-805	33-806	33-807	
Black	-	33E805-06	33E806-06	33E807-06	
Light grey	-	33E805-03	33E806-03	33E807-03	



Accessories

Front and rear panels:

- 2.5 mm thickness, colourless anodised on one side
- With or without ventilation slots
- Individual processing, labelling and colour on request

Delivery:

- Front and rear panels

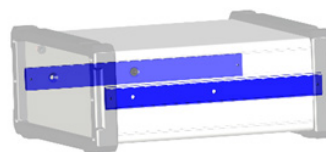
Panel	Item number	
Closed	33E880-50	
With Honeycombs	33E880-52	

Panels:

Colour panels for individual labelling of the enclosure. Can be printed in any colour.

Delivery:

- Panels 1 x left, 1 x right incl. fixing material
- Without labeling
- Individual colouring and labelling on request



Surface	Depth 180 mm	Depth 240 mm	Depth 300 mm	Depth 360 mm
Colourless anodised	33-851	33-852	33-853	33-854

The panels can be customised with photo-realistic (RGB) printing.



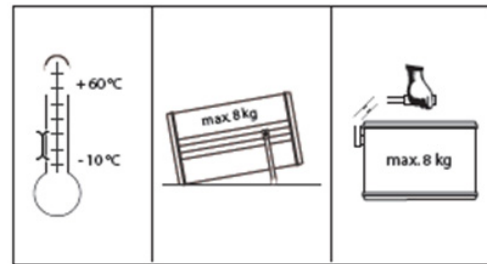
Bow handles

Front and rear panels:

- Powder-coated zinc print
- Handle: Black polyurethane, UL94 V-0
- The handle can be fixed at any position on the side groove
- The handle is 90° latching, with the carrying positions being slightly latching
- It is offered in two widths according to the enclosure sizes

Delivery:

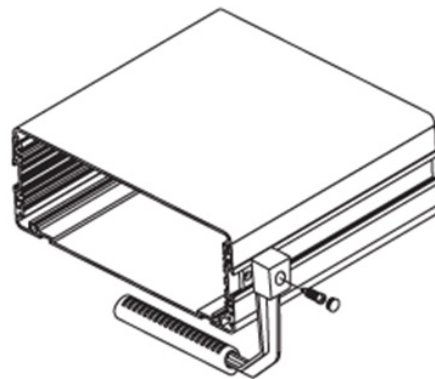
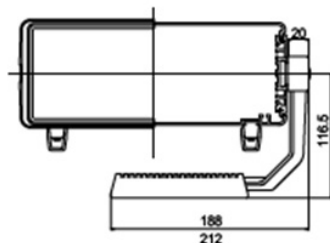
- 1 pre-assembled handle with fixing material



Load capacity depends on weight distribution and handling and decreases with dynamic loading.

Bow handles

Colour	Article-no.
Light grey	33-635
Black	33-645
Stone grey	33-630



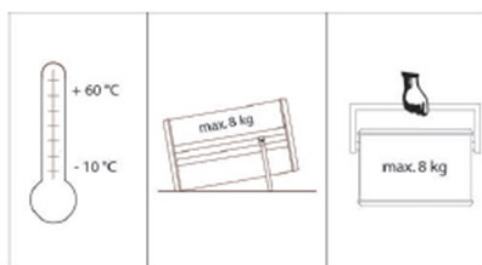
Carrying handles

- For Guardbox 33
- Black plastic side panels
- Black anodised aluminium handle profile
- The handle can be fixed in any position on the side groove
- The handle has a detent position every 30°



Delivery:

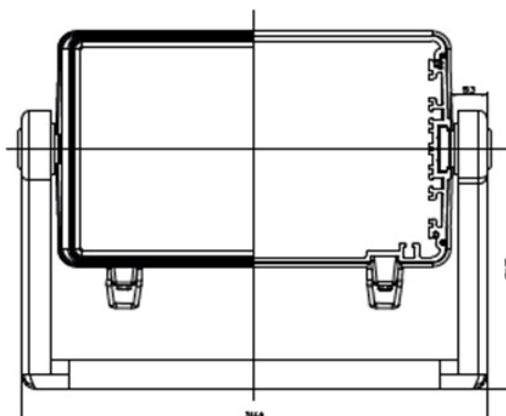
- 1 pre-assembled bow handle with fixing material



Load capacity depends on weight distribution and handling and decreases with dynamic loading.

Bow handles

Colour	Article no.
Handle black for Guardbox 33, size 3	33-648

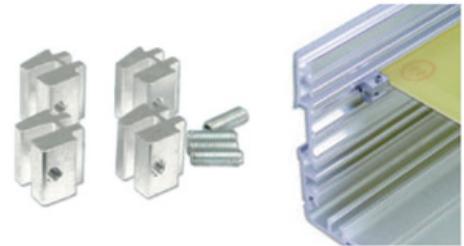


CARD STOPPER

- Card stoppers are used for additional fixation of the double eurocards when these are installed directly in the housing.

Delivery:

- 4 card stoppers made of aluminium profile
- 4 hexagon socket screws
- 1 hexagon socket spanner



Article-no.

33-618

MOUNTING PANELS

- Mounting panels made of 2 mm (0.07") thick aluminium plate
- Dimensions according to the respective enclosure sizes
- Arrangement of the shields allows various installation options and good air circulation
- Mounting panel is screwed to the grooves of the enclosure profile

Delivery:

- 1 mounting panel, aluminium, raw
- Mounting material included in basic set



Article-no. 180 mm 7.08 Inch	Article-no. 240 mm 9.44 Inch	Article-no. 300 mm 11.81 Inch
-	33-324	33-325

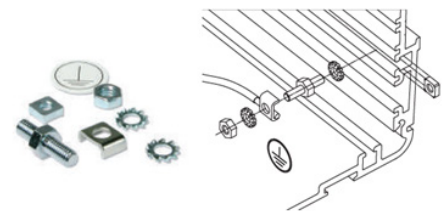
PROTECTIVE CONDUCTOR CONNECTION

Front panel screws:

- Conductor connection enables EN / VDE / NIV-compliant earthing

Delivery:

- 1 grounding nut M3.5
- 1 threaded bolts M3.5
- 1 clamping bracket
- 2 serrated lock washers
- 1 nut M3.5
- 1 Protective conductor symbol



Description	Article-no.
Protective conductor connection	33-619

©Copyright 2023 by Elma Electronic AG, CH-8620 Wetzikon. Subject to technical modifications, all data supplied without liability.

Please contact our sales team for more details.

China: +86 21 5866 5908
France: +33 388 56 72 50

Germany: +49 7231 97 34 0
Israel: +972 3 930 50 25

Singapore: +65 6479 8552
Switzerland: +41 44 933 41 11

United Kingdom: +44 1234 838 822
United States: +1 510 656 3400