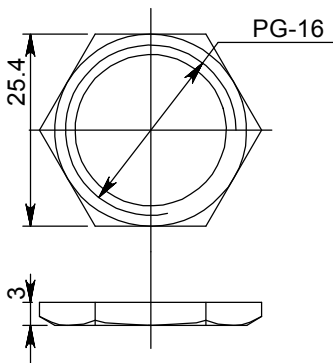
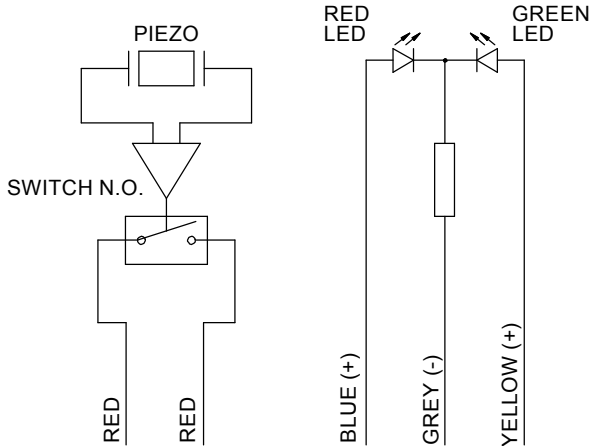
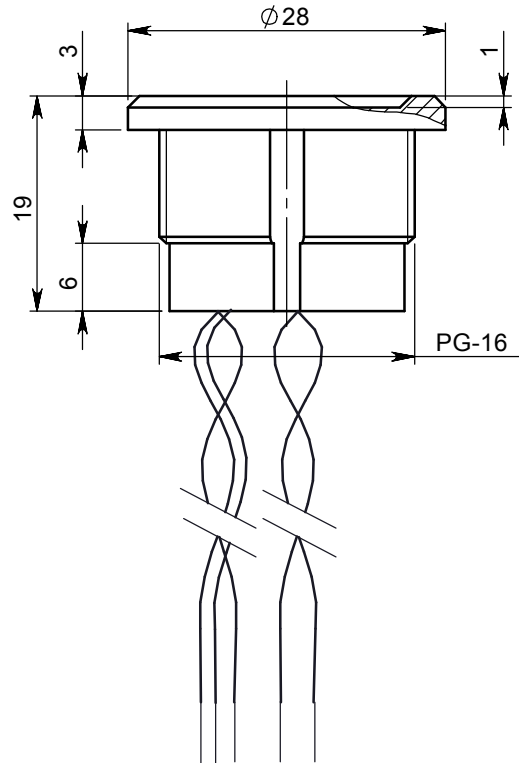
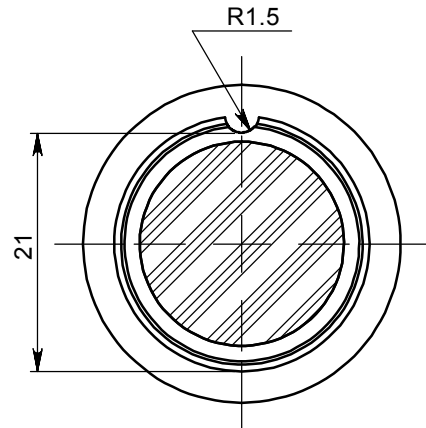


Scale 1:1

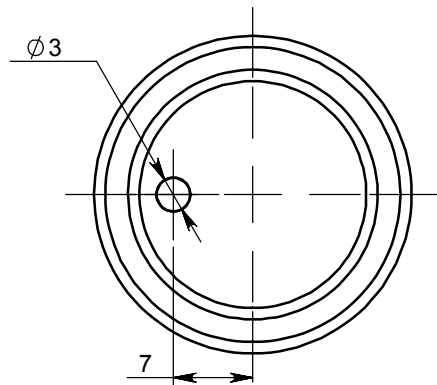


SPECIFICATIONS:

HOUSING MATL.: STS 303/304
 CONNECTION: 5 PVC WIRES, LENGTH 300 ±10mm
 SWITCHING VOLTAGE: 1-24 V AC/DC
 SWITCHING CURRENT: 0.2 A MAX.
 SWITCH RESISTANCE "ON": <20 Ohm
 SWITCH RESISTANCE "OFF": >5 MOhm
 ACTUATION FORCE: 3-5 N
 MAKE IMPULSE TIME: 125-300 mSEC.
 OPER. TEMP.: -40°C TO 70°C
 STOR. TEMP.: -40°C TO 85°C
 LED OPERATING VOLTAGE 5V DC,
 LED CURRENT CONSUMPTION 15mA max.



NUT
 Material: Brass (Ni coated)



| | | | | Tolerance ±0.1 | |
|---|----------|---|--|------------------------------|--|
| Itemref | Quantity | Title/Name, designation, material, dimension etc | | | Article No./ Ref. |
| Approved by Ami Friedman Approved By AmiF at 15 Jul 10 10:32 | | Designed by LiIva Tavzland Approved By LiIvaT at 15 Jul 10 10:27 | | Filename 10902006_906-007 | Draw. Num. 906-007 |
| Baran ADVANCED TECHNOLOGIES | | Baran House 8 Omarim St. Omer Industrial Area 84965 Israel Tel. 972-8-6200020 fax 972-8-6200021 | | | SML2AAW4052N, STS, LED RED/GREEN 5V, WIRES Cat. Num. 10902006 Edition 1 Sheet 1/1 |