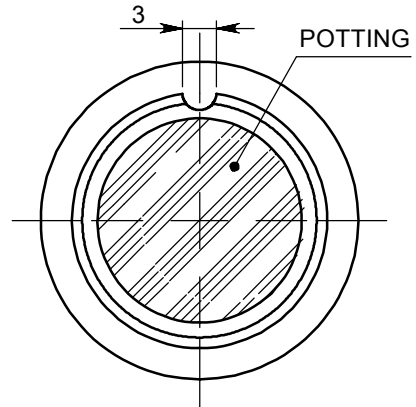
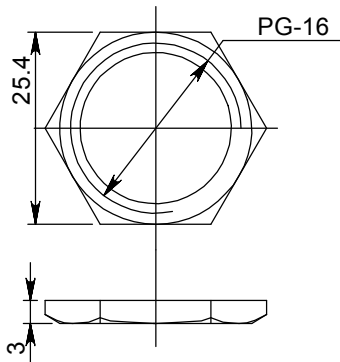
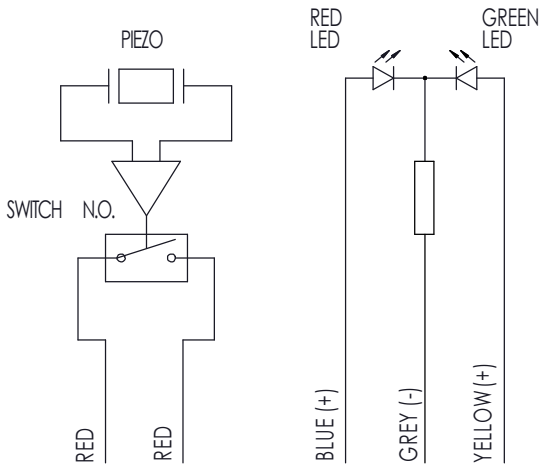
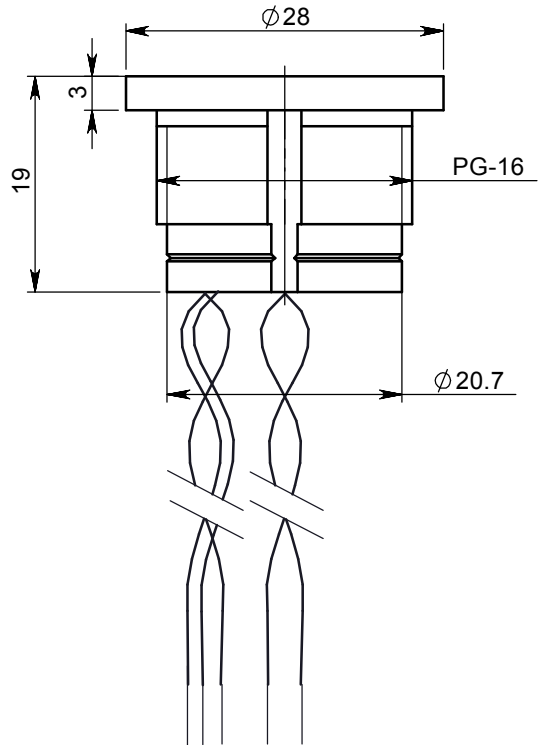


Scale 1:1

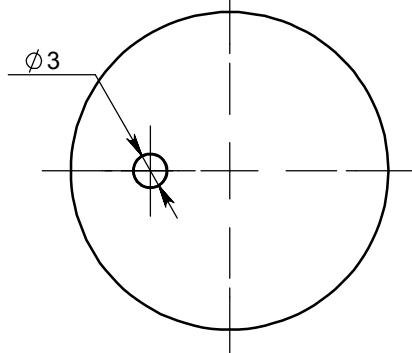


1 SPECIFICATIONS:

HOUSING MATL.: STS 303/304  
 CONNECTION: 5 PVC WIRES 24 AWG, 300 ±10mm LONG  
 SWITCHING VOLTAGE: 1-24 V AC/DC  
 SWITCHING CURRENT: 0.2 A  
 SWITCH RESISTANCE "ON": <20 Ohm  
 SWITCH RESISTANCE "OFF": >5 MOhm  
 ACTUATION FORCE: 3-5 N  
 MAKE IMPULSE TIME: 125-300 mSEC.  
 OPER. TEMP.: -40 °C TO 70 °C  
 STOR. TEMP.: -40 °C TO 85 °C  
 LED: OPERATING VOLTAGE 5V DC,  
 CURRENT CONSUMPTION 2x10mA max.



NUT  
 Material: Brass (Ni coated)



				Tolerance ±0.1		
Itemref	Quantity	Title/Name, designation, material, dimension etc		Article No./ Ref.		
Approved by Yair Maimon By YairM at 12 רבוסקוא 08 16:56		Designed by Lilya Tayzland Approved By LilyaT at 12 רבוסקוא 08 14:27		Filename	Draw. Num.	Scale
				10802007_905-402	905-402	-
Baran House 8 Omarim St. Omer Industrial Area 84965 Israel Tel. 972-8-6200020 fax 972-8-6200021				SML1AAW4052N STS LED RED/GREEN		
Cat. Num.		Edition		Sheet		
10802007		1		1/1		