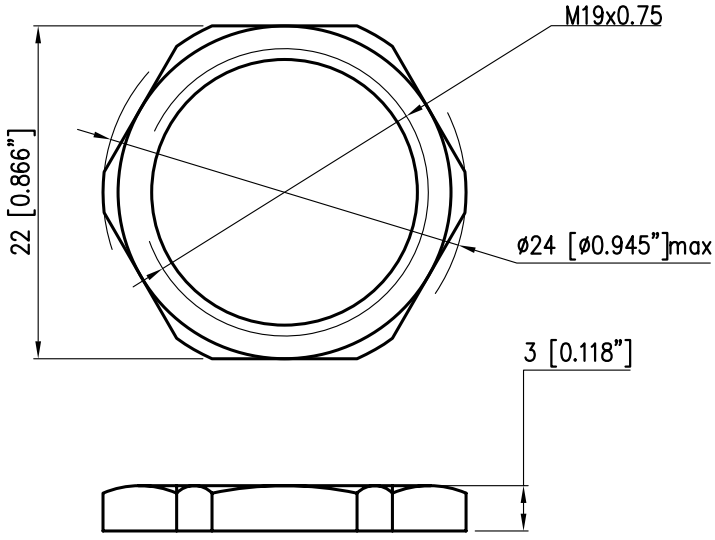
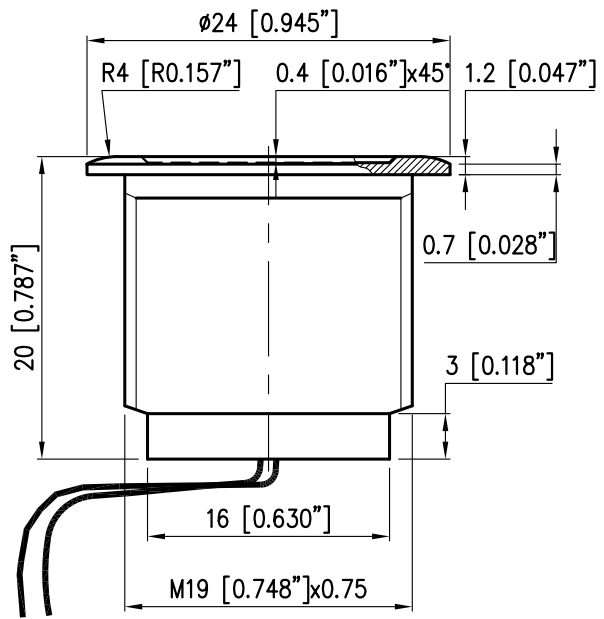


Rev.No	Revision note	Date	Signature	Checked



1. SPECIFICATIONS:

ALUMINIUM 6061 T651
 CONNECTION: PVC WIRES 300±20 mm LENGTH
 SWITCHING VOLTAGE: 1 – 24V AC/DC
 SWITCHING CURRENT: 0.200 A
 SWITCH RESISTANCE "ON": <math>< 20</math> OHMS
 SWITCH RESISTANCE "OFF": >5 MOHMS
 ACTUATION FORCE: 3–5 N
 MAKE IMPULSE TIME: 125–300 mSEC
 OPERATING AND STORAGE TEMP: –40°C TO +125°C

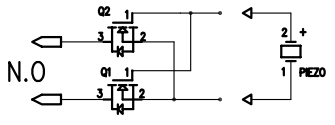
NUT

WIRING

RED } 24 AWG 1–24V AC/DC
 RED } 0.2A SWITCH

2. FINISH:

ANODIZE THICKNESS: 6–10 μ
 ANODIZE COLOR: NATURAL



	ALUMINIUM 6061 T651	Tolerance ±0.1			
Itemref	Quantity	Title/Name, designation, material, dimension etc			Article No./Reference
Approved by:	Yair Maimon	Designed by:	Inna Hatkevich	Filename	14202000_904-400
				Drawing_n	904-400
				Scale	2:1
				Draw Date	17.05.2007
		Baran House 8 Omarim St. Omer industrial area 84965 Israel		SBS2AAW1N	
ADVANCED TECHNOLOGIES		Tel. 972-8-6200020 Fax. 972-8-6200021		Cat num:	14202000
				Edition	1
				Sheet	1/1