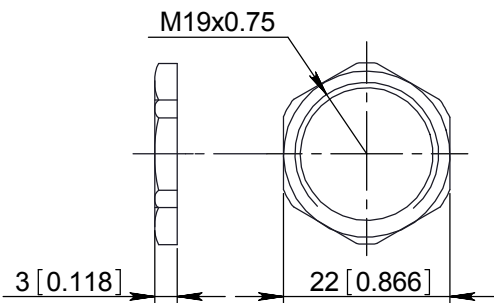
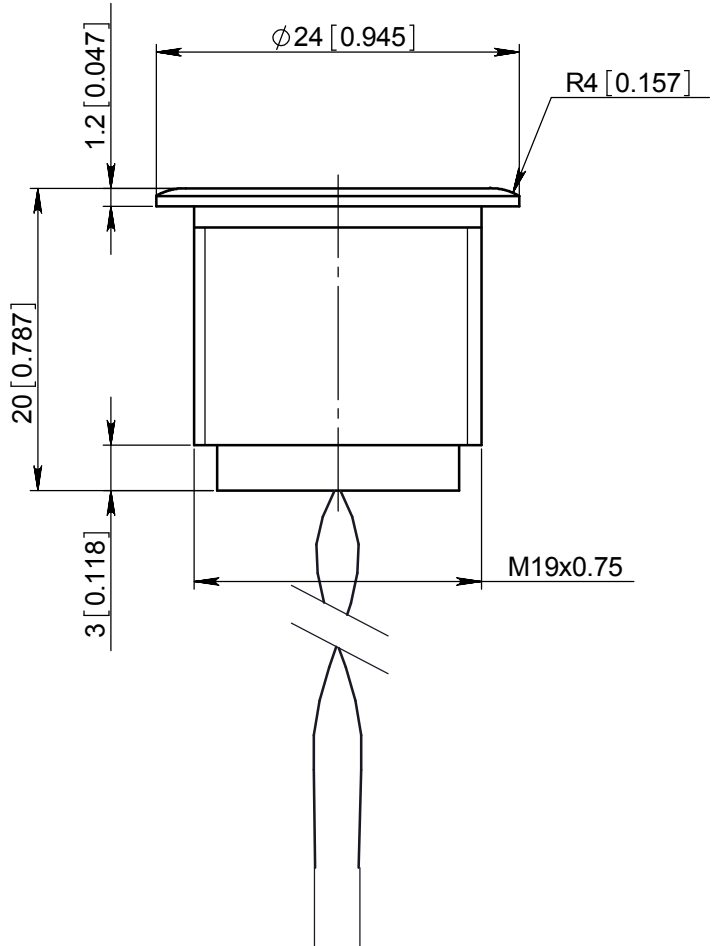
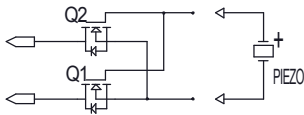


Scale 1:1

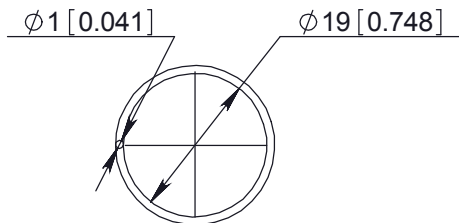


**SPECIFICATIONS:**

HOUSING MATL.: STS 303/304  
 CONNECTION: 2 RED PVC WIRES 24AWG  
 LENGTH 300 ± 10 [11.811 ± 0.394]  
 SWITCHING VOLTAGE: 1-24 V AC/DC  
 SWITCHING CURRENT: 0.2 A  
 SWITCH RESISTANCE "ON": <20 Ohm  
 SWITCH RESISTANCE "OFF": >5 MOhm  
 ACTUATION FORCE: 3-5 N  
 MAKE IMPULSE TIME: 125-300 mSEC.  
 OPER. AND STOR. TEMP.: -40 °C TO 125 °C



**NUT**  
 Material: Brass (Ni coated)



**O-RING**  
 Material: NBR  
 (Acryliannitrile-butadiene rubber)

DIMENSIONS IN BRACKETS ARE IN INCHES

Tolerance ±0.1						
Itemref	Quantity	Title/Name, designation, material, dimension etc			Article No./ Ref.	
Approved by Daniel Feinman Approved By DanielF at 26 10:00 09 12:43	Designed by Liliya Tayzland Approved By LiliyaT at 26 10:00 09 10:06	Filename	Draw. Num.	Scale	Draw.Date	
		14102001_905-665	905-665	2:1	25.08.2009	
Baran House 8 Omarim St. Omer Industrial Area 84965 Israel Tel. 972-8-6200020 fax 972-8-6200021			<b>SBS1AAW2N STS</b> Cat. Num. 14102001    Edition 1    Sheet 1/1			