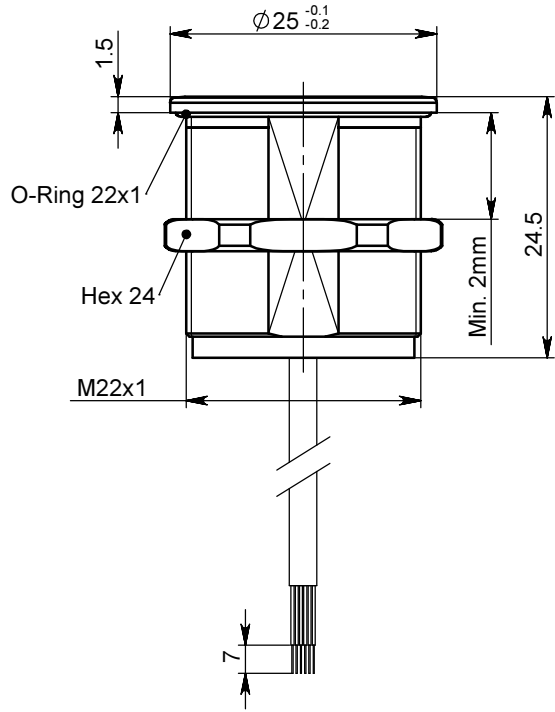
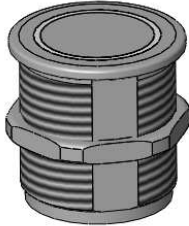


Scale 1:1



SPECIFICATIONS:

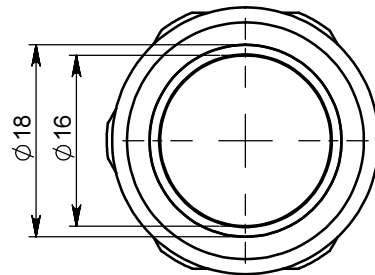
HOUSING: STS 303/304
 SWITCHING VOLTAGE: 1 - 24V AC/DC
 SWITCHING CURRENT: 1A max
 SWITCH RESISTANCE "ON": <math>< 20 W</math>
 SWITCH RESISTANCE "OFF": >5 M W
 ACTUATION FORCE: 3-5 N
 MAKE IMPULSE TIME: 125-300 mSEC.
 OPERATING TEMP: +5°C TO +40°C
 STORAGE TEMP: -40°C TO +85°C

LED RGB

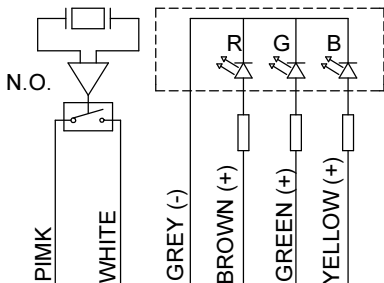
Operating Voltage : 24V DC max
 Each LED current consumption : max 16 mA


CONNECTOIN: CABLE LIYY 6X0.14, LENGTH 0.3±0.05m

O-RING MATERIAL: NBR (Acryliantrile-Butadiene Rubber)
 NUT MATERIAL: BRASS (Ni COATED)



PIEZO SWITCH



Itemref	Quantity	Title/Name, designation, material, dimension etc	Article No./ Ref.		
Approved by Roi Ben Shitrit	Designed by Liliya Tayzland	Filename	Draw. Num.	Scale	Draw.Date
	APPROVED By LiliyaT at 3:47 pm, Nov 08, 2017	13700126_909_188	909_188	-	02.08.2017
 Baran House 8 Omarim St. Omer Industrial Area 84965 Israel Tel. 972 (0) 732511020 Fax 972 (0) 732511021		SBRT11ABC8242N,24VRGB(-)Tact' Cat. Num. 13700126 Edition 1 Sheet 1/1			