

Scale 1:1



SPECIFICATIONS

HOUSING MATERIAL: ALUMINIUM 6061 T651
 CONNECTION: PVC WIRES 300 ±10mm LONG
 SWITCHING VOLTAGE: 1 - 24V AC/DC
 SWITCHING CURRENT: 0.200 A
 SWITCH RESISTANCE "ON": <20 OHM
 SWITCH RESISTANCE "OFF": >5 M OHM
 ACTUATION FORCE: 3-5 N
 MAKE IMPULSE TIME: 125-300 mSEC
 OPERATING TEMP: -20 °C TO +70 °C
 STORAGE TEMP: -40 °C TO +85 °C

LED Operating Voltage : 12V DC max

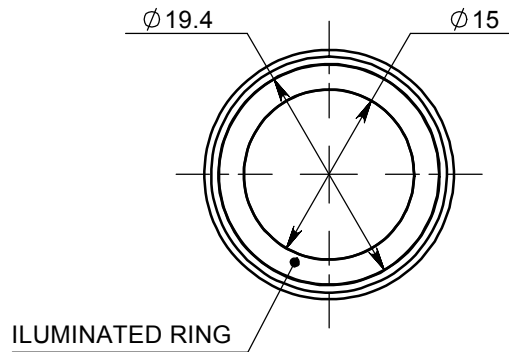
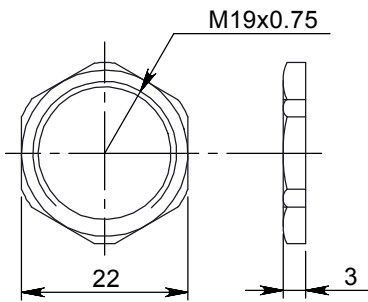
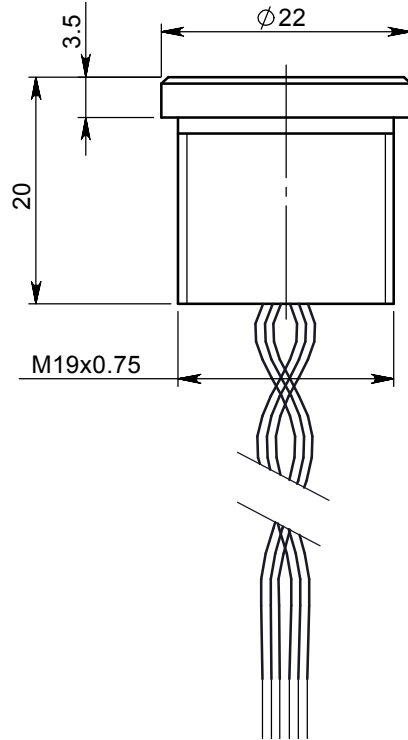
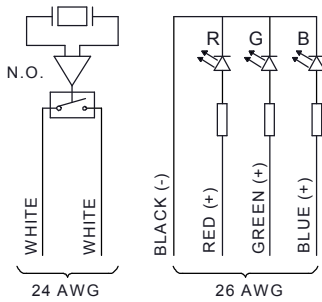
LEDs max current consumption at 12V:

RED 18 mA
 GREEN 9 mA
 BLUE 27 mA

FINISH

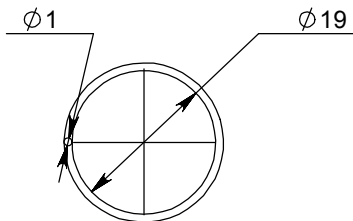
ANODIZE THICKNESS: 6-10 µ
 ANODIZE COLOR: NATURAL

PIEZO SWITCH



NUT

Material: Brass (Ni coated)



O-RING

Material: NBR
 (Acryliantirile-butadiene rubber)

		Tolerance ±0.1			
Itemref	Quantity	Title/Name, designation, material, dimension etc		Article No./ Ref.	
		Designed by Lilya Tayzland	Filename	Draw. Num.	Scale
		Approved By lilyat at 13 ליוני 15 10:37	16008100-01_907_964	907_964	-
		SBR5AAW8121N, Led RGB			
		Cat. Num. 16008100-01	Edition 1	Sheet 1/1	



Baran House 8 Omarim St.
 Omer Industrial Area 84965 Israel
 Tel. 972-8-6200020 fax 972-8-6200021