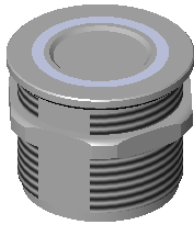


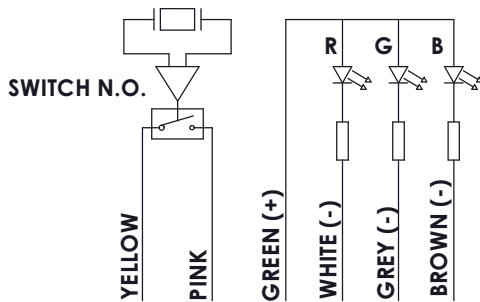


ZONE	REV.	DESCRIPTION	DATE	SIGNATURE
------	------	-------------	------	-----------



Scale 1:1

PIEZO SWITCH



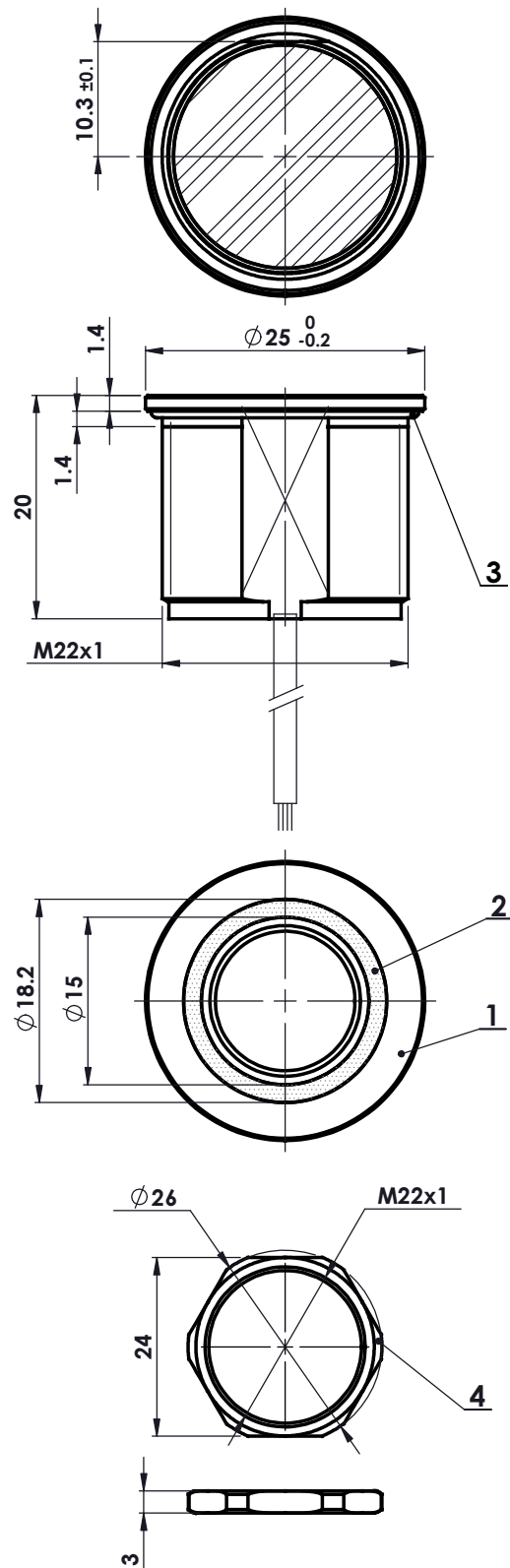
SPECIFICATIONS:

- SWITCHING VOLTAGE: 1 - 24V AC/DC
- SWITCHING CURRENT: 1A max
- SWITCH RESISTANCE "ON": <math><20 \Omega</math>
- SWITCH RESISTANCE "OFF": >5 M  $\Omega$
- ACTION FORCE: 3-5 N
- MAKE IMPULSE TIME: 125-300 mSEC
- OPERATING TEMP: -20 °C TO +70 °C
- STORAGE TEMP: -40 °C TO +85 °C

Separated LEDs: RED, GREEN, BLUE  
 LED Operating Voltage : 24V DC max  
 Each LED current consumption : max 25 mA

CONNECTOIN: CABLE LIYY 6X0.14, LENGTH 300±5mm

FINISH:  
 ANODIZE THICKNESS: 17-19  $\mu$   
 PRINTING COLOR: NATURAL



ITEM NO.	QTY.	DESCRIPTION	PART NUMBER
1	1	HOUSING, ALUMINIUM 6061 T651	81018725
2	1	ILLUMINATED RING, ERTACETAL C or H	07080123
3	1	O-RING, NBR (Acrylianitrile-Butadiene Rubber), 22x1.5	81500015
4	1	NUT, BRASS (Ni COATED), M22X1	07099113
	A4	TOLERANCE ±0.1	
Itemref	Quantity	Title/Name, designation, material, dimension etc	Article No./Reference
Approved by: Roi Ben Shitrit		Designed by: Inna Hatkevich	Filename: 13700503_908-878
			Drawing_n: 908-878
			Scale: 1.5:1
			Draw Date: 22.01.2017
		Baran House 8 Omarim St. Omer industrial area 84965 Israel	
		Tel. 972 (0) 73 2511020	
		Fax. 972 (0) 73 2511021	
		SBR22ABC8241N,24V RGB(+)-LED,0.3m	
		Cat num: 13700503	Edition 1 Sheet 1/1