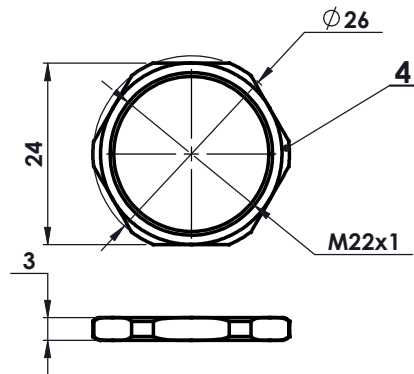
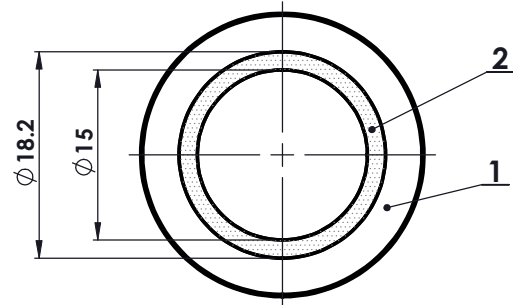
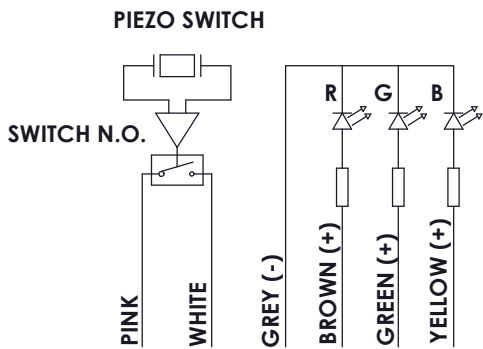
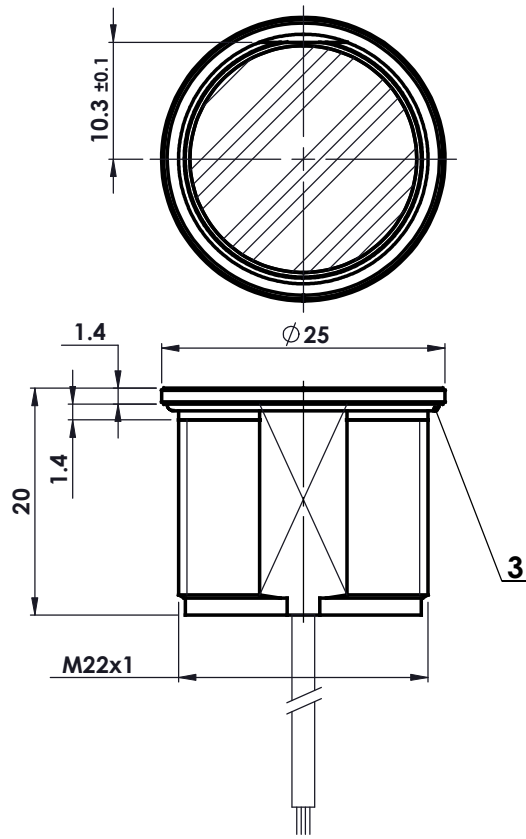


Scale 1:1



SPECIFICATIONS:

- SWITCHING VOLTAGE: 1 - 24V AC/DC
- SWITCHING CURRENT: 1A max
- SWITCH RESISTANCE "ON": <20 Ω
- SWITCH RESISTANCE "OFF": >5 M Ω
- ACTUATION FORCE: 3-5 N
- MAKE IMPULSE TIME: 125-300 mSEC
- OPERATING TEMP: -20 °C TO +70 °C
- STORAGE TEMP: -40 °C TO +85 °C

LED RGB:

- LED Operating Voltage : 12V DC max
- Each LED current consumption : max 25 mA

CONNECTOIN: CABLE LIYY 6X0.14, LENGTH 300±5mm

FINISH:

ANODIZE THICKNESS: 17-19 m

ITEM NO.	QTY.	DESCRIPTION	PART NUMBER
1	1	HOUSING, ALUMINIUM 6061 T651	81018725
2	1	ILLUMINATED RING, ERTACETAL C or H	07080123
3	1	O-RING, NBR (Acryliannitrile-Butadiene Rubber), 22x1	81500015
4	1	NUT, BRASS (Ni COATED), M22X1	07099113
	A4	TOLERANCE ±0.1	
Itemref	Quantity	Title/Name, designation, material, dimension etc	Article No./Reference
Approved by: Roi Ben Shitrit	Designed by: Inna Hatkevich	Filename	Drawing_n
		13700020_908-042	908-042
		Scale	Draw Date
		1.5:1	17.05.2015
		SBR11ABC8121N,12V RGB(-) LED	
Baran House 8 Omarim St. Omer industrial area 84965 Israel Tel. 972 (0) 73 2511020 Fax. 972 (0) 73 2511021		Cat num: 13700020	Edition 1 Sheet 1/1