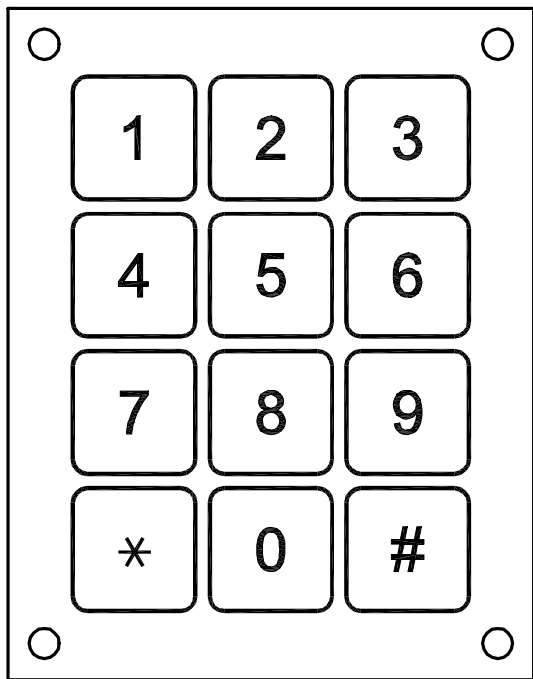
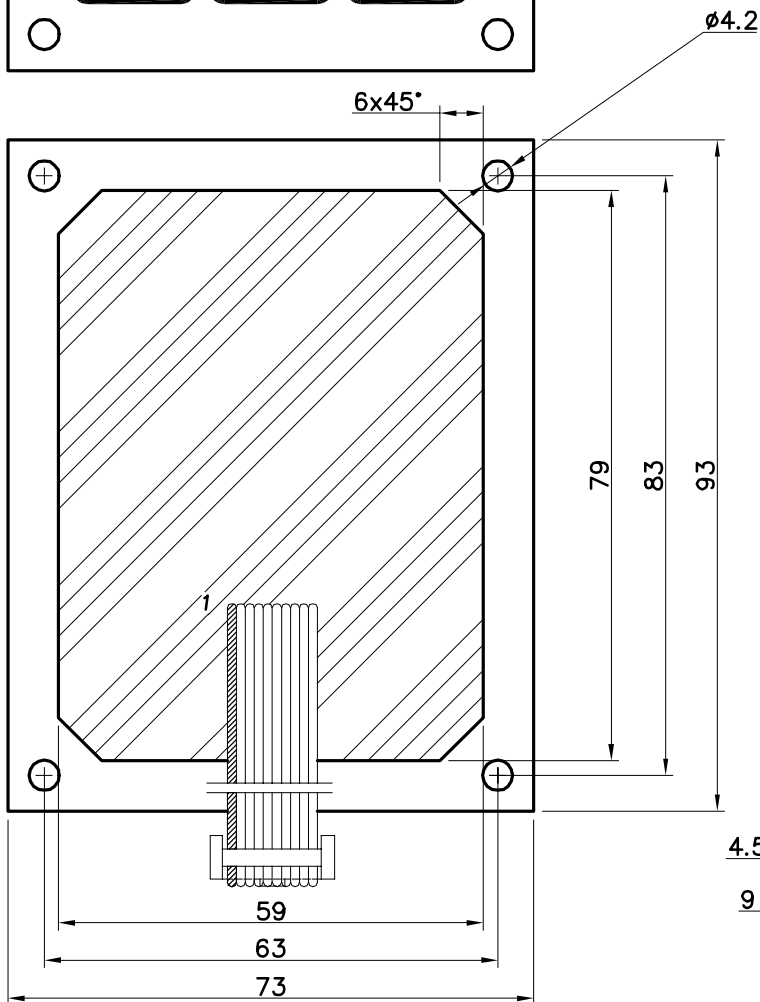


| Rev.No | Revision note | Date | Signature | Checked |
|--------|-------------------------------|------------|-----------|---------|
| 1 | Change Width of Panel to 9 mm | 10.01.2007 | | |

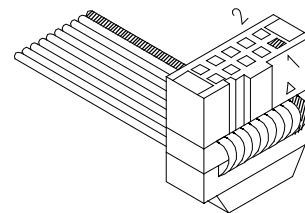


TERMINAL LOCATION

| BUTTON | RED CABLE CONNECTOR | | | | | | | | | |
|--------|--------------------------|--------------------------|--------------------------|--------------------------|--------------------------|--------------------------|--------------------------|---|---|----|
| | 1 | 2 | 3 | 4 | 5 | 6 | 7 | 8 | 9 | 10 |
| 1 | <input type="checkbox"/> | | | | <input type="checkbox"/> | | | | | |
| 2 | <input type="checkbox"/> | | | | | <input type="checkbox"/> | | | | |
| 3 | <input type="checkbox"/> | | | | | | <input type="checkbox"/> | | | |
| 4 | | <input type="checkbox"/> | | | <input type="checkbox"/> | | | | | |
| 5 | | <input type="checkbox"/> | | | | <input type="checkbox"/> | | | | |
| 6 | | <input type="checkbox"/> | | | | | <input type="checkbox"/> | | | |
| 7 | | | <input type="checkbox"/> | | <input type="checkbox"/> | | | | | |
| 8 | | | <input type="checkbox"/> | | | <input type="checkbox"/> | | | | |
| 9 | | | <input type="checkbox"/> | | | | <input type="checkbox"/> | | | |
| * | | | | <input type="checkbox"/> | <input type="checkbox"/> | | | | | |
| 0 | | | | <input type="checkbox"/> | | <input type="checkbox"/> | | | | |
| # | | | | <input type="checkbox"/> | | | <input type="checkbox"/> | | | |



Connector
FC-10



Flat Cable
30 cm
12"

| ALUMINIUM 6061 T651 | | Tolerance ±0.1 | | | |
|--|----------|---|--|---------------------------------|-----------------------|
| Itemref | Quantity | Title/Name, designation, material, dimension etc | | | Article No./Reference |
| Approved by Yossi Barkan <small>Approved By YossiB at 17 Oct 12 11:15</small> | | Designed by Inna Hatkevich <small>Approved By LiyaT at 17 רבוסקוא 12 11:02</small> | | Filename 20122502_834-001 | Drawing_n 834-001 |
| Scale 1:1 | | Draw Date 20.03.2001 | | KBA11MAC1AS 3x4,FLAT CABLE,NAT' | |
| Cat num: 20122502 | | Edition 1 | | Sheet 1/1 | |

BARAN Baran House 8 Omarim St.
Omer industrial area 84965 Israel
ADVANCED TECHNOLOGIES Tel. 972-8-6200020 Fax. 972-8-6200021