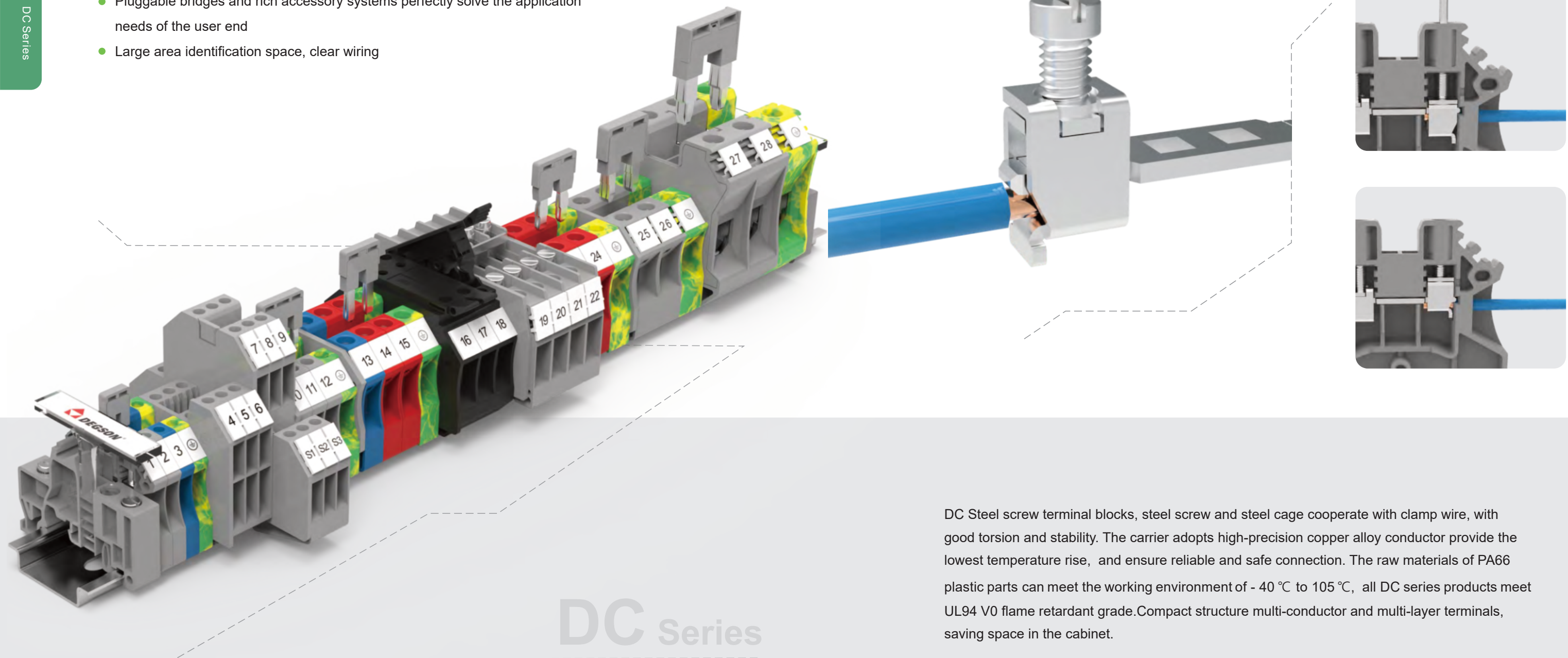


DC-Steel Screw Terminal Blocks

Feature

- The steel cage is used to clamp the wire, and the connection is stable and reliable
- Double channel bridge position, easy to realize potential distribution
- Pluggable bridges and rich accessory systems perfectly solve the application needs of the user end
- Large area identification space, clear wiring

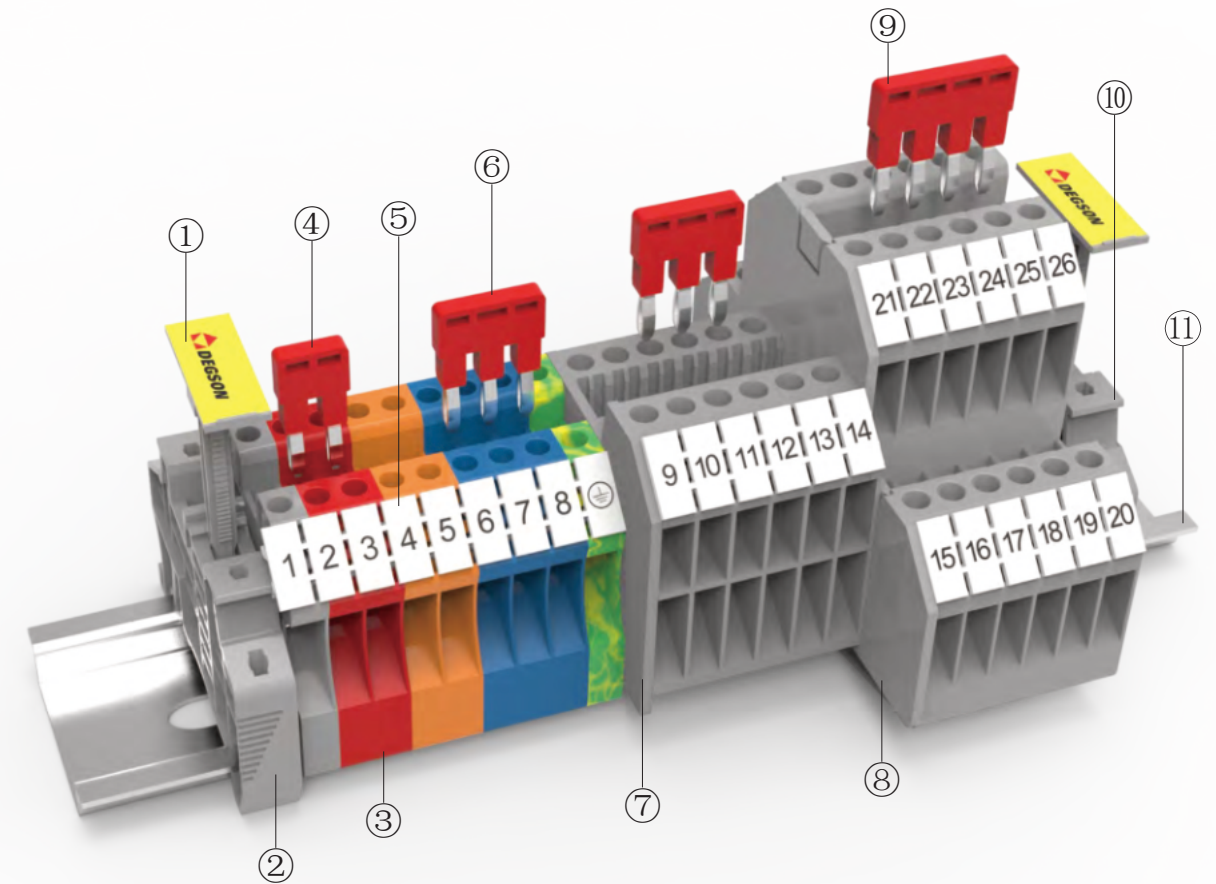
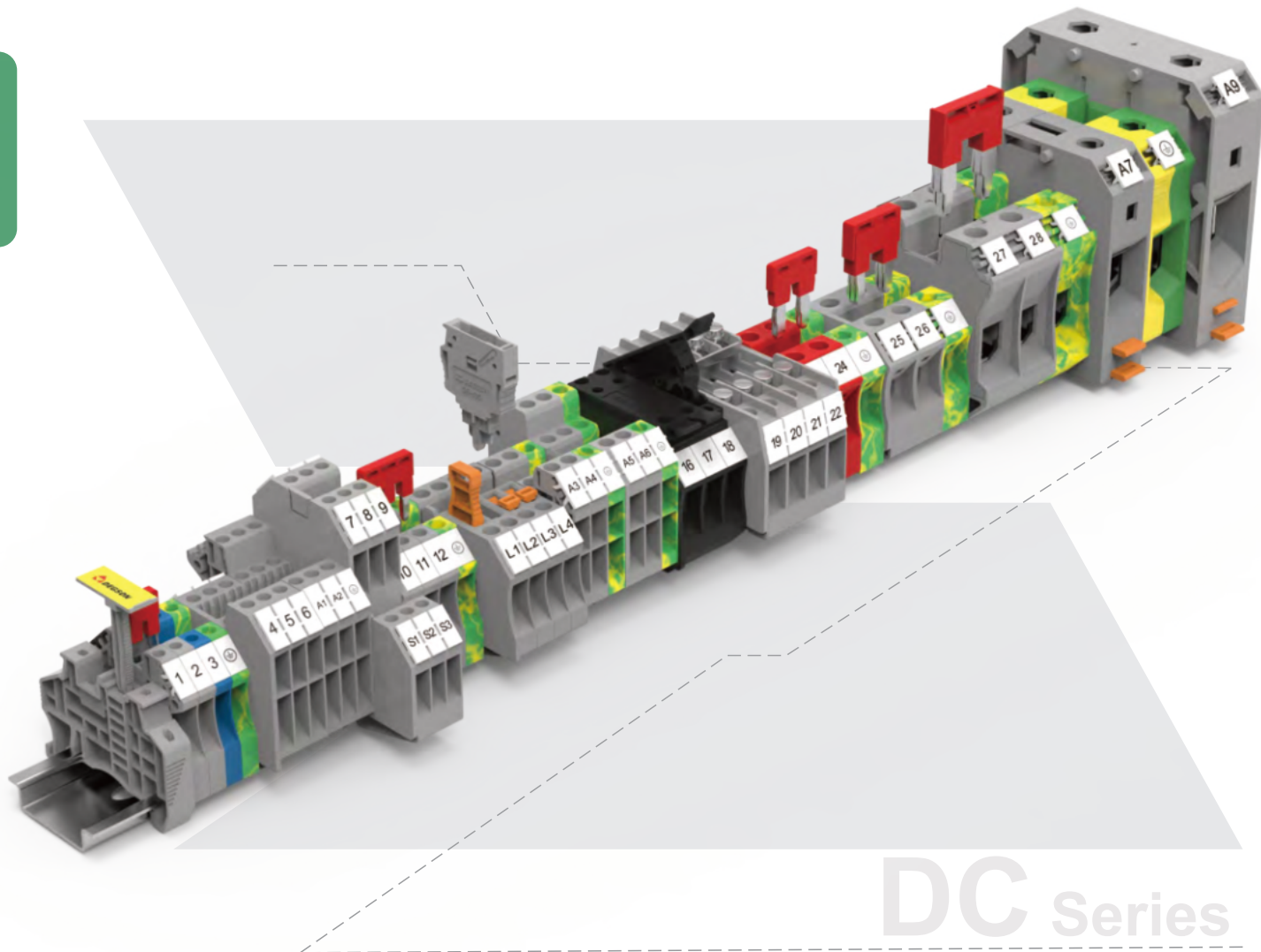


DC Series

DC Steel screw terminal blocks, steel screw and steel cage cooperate with clamp wire, with good torsion and stability. The carrier adopts high-precision copper alloy conductor provide the lowest temperature rise, and ensure reliable and safe connection. The raw materials of PA66 plastic parts can meet the working environment of - 40 °C to 105 °C, all DC series products meet UL94 V0 flame retardant grade. Compact structure multi-conductor and multi-layer terminals, saving space in the cabinet.

DC Feed-through Terminal Blocks

- DC Feed-through terminal blocks, with screw connection technology, high-quality steel screw and cage ensure the stable & reliable connection
- Multi-deck type, space saving
- Double-channel bridging design and 2-10 poles bridges reach the flexible distribution of potentials
- Compatible with the marking system to clearly identify the working area



Description	Part No.	Remark
① Marker carrier	KLM3-20x8-11-00A(H)	Suitable for E-PC-1100A(H) & E-WS N
② End clamp	E-WS N-01P-11-00A(H)	Fixing products on NS35 DIN rail
③ Terminal blocks	DC2.5-01P-11-00A(H)	Steel cage locking type 2.5mm ² DIN Rail terminal blocks
④ Plug-in bridge	DFA2.5-02P-11-00A(H)	02P bridge, use for DC2.5 series
⑤ Marker	ZB5-10P-19-00A(H)	Marker is used for the side of DC2.5 series
⑥ Plug-in bridge	DFA2.5-03P-11-00A(H)	03P bridge, use for DC2.5 series
⑦ End cover	D-DC2.5-TW-01P-11-00A(H)	End cover is used for DC2.5-TW
⑧ End cover	D-DCKKB2.5-01P-11-00A(H)	End cover is used for DCKKB2.5
⑨ Plug-in bridge	DFA2.5-04P-11-00A(H)	04P bridge, use for DC2.5 series
⑩ End clamp	E-WS N-01P-11-00A(H)	Fixing products on NS35 DIN rail
⑪ DIN rail	NS35/7.5-0150-00A(H)	NS35 DIN rail

Circuit diagram

	○ Connection point for wiring	— — Fuse connection	⏏ Disconnecting
	● Connection point for bridging	— — Resistance connection	• Circuit connection point
	— — LED light connection	⏏ Grounding connection	— — Diode connection

Screw connection technology 1

Feed-through, multi-conductor, multi-level, and ground terminal blocks


DC2.5

UL US CE ENEC RoHS REACH


DC2.5-PE

UL US CE ENEC RoHS REACH

Order NO.	11020000018				11020000028				
Width/Length/Height(NS35/7.5&NS35/15)	mm 5.1/42.3/41.5(49)				mm 5.1/42.3/41.5(49)				
Electrical Data	IEC IEC60947-7-1		UL UL1059		IEC IEC60947-7-2		UL UL1059		
Rated voltage	V	800	600	/	/	/	/	/	
Rated current	A	24	25	/	/	/	/	/	
Rated cross section	mm ² / AWG	0.2-4 26-12		0.2-4 26-12		0.2-4 26-12		0.2-4 26-12	
Connection capacity		Solid	Stranded	Ferrule (with and without plastic sleeve)	Solid	Stranded	Ferrule (with and without plastic sleeve)	Solid	Stranded
1 conductor	mm ²	0.2-4	0.2-2.5	0.2-2.5	0.5-1.5	0.2-4	0.2-2.5	0.2-2.5	0.5-1.5
2 flexible conductors with a TWIN ferrule	mm ²	—	—	—	0.5-1	—	—	—	0.5-1
General Information									
Insulation material/Flammability rating (according to UL 94)	PA/V0				PA/V0				
Operation temperatures	°C (°F)	-40(-40)~105(221)				-40(-40)~105(221)			
Stripping length	mm	8-9				8-9			
Color		Grey, Red, Blue (please contact sales for other color requirements)				Yellow green mixed color			
Screw/Rated torque	-N.m(lb.in)(kgf.cm)	M2.5/0.4 (3.6) (4.08)				M2.5/0.4 (3.6) (4.08)			
Accessories									
Ferrule		/				/			
Slotted screwdriver size (Blade thickness x Width)	mm	0.6x3.5				0.6x3.5			
Screw		Slotted screw				Slotted screw			
Bridge (2-10P)		DFA2.5				/			
End cover		D-DC2.5				D-DC2.5			
Partition plate		/				/			
Marker		ZB5 / WB5				ZB5 / WB5			
Marker support		/				/			
Terminal strip marker support		DLM2 / KLM3-20x8 / KLM3-44x8				DLM2 / KLM3-20x8 / KLM3-44x8			
End clamp		E-PC 1100A / E-WSN				E-PC 1100A / E-WSN			

Screw connection technology 1

Feed-through, multi-conductor, multi-level, and ground terminal blocks


DC2.5-12A(H)
(Cross & Slotted screw)

CE ENEC RoHS REACH

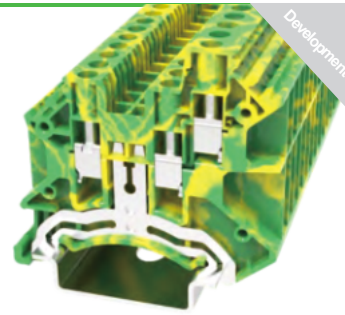
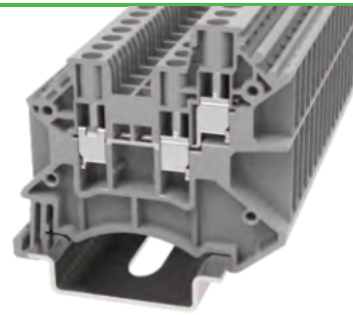

DC2.5-PE-02A(H)
(Cross & Slotted screw)

CE ENEC RoHS REACH

Order NO.	11020000058				11020000221				
Width/Length/Height(NS35/7.5&NS35/15)	mm 5.1/42.3/41.5(49)				mm 5.1/42.3/41.5(49)				
Electrical Data	IEC IEC60947-7-1		UL UL1059		IEC IEC60947-7-2		UL UL1059		
Rated voltage	V	800	600	/	/	/	/	/	
Rated current	A	24	25	/	/	/	/	/	
Rated cross section	mm ² / AWG	0.2-4 26-12		0.2-4 26-12		0.2-4 26-12		0.2-4 26-12	
Connection capacity		Solid	Stranded	Ferrule (with and without plastic sleeve)	Solid	Stranded	Ferrule (with and without plastic sleeve)	Solid	Stranded
1 conductor	mm ²	0.2-4	0.2-2.5	0.2-2.5	0.2-2.5	0.2-4	0.2-2.5	0.2-2.5	0.2-2.5
2 flexible conductors with a TWIN ferrule	mm ²	—	—	—	0.5-1.5	—	—	—	0.5-1.5
General Information									
Insulation material/Flammability rating (according to UL 94)	PA/V0				PA/V0				
Operation temperatures	°C (°F)	-40(-40)~105(221)				-40(-40)~105(221)			
Stripping length	mm	8-9				8-9			
Color		Grey, Red, Blue (please contact sales for other color requirements)				Yellow green mixed color			
Screw/Rated torque	-N.m(lb.in)(kgf.cm)	M2.5/0.4 (3.6) (4.08)				M2.5/0.4 (3.6) (4.08)			
Accessories									
Ferrule		/				/			
Cross & Slotted Screwdriver specification (Thickness x Width)	mm	0.6x3.5				0.6x3.5			
Screw		Cross & Slotted screw				Cross & Slotted screw			
Bridge (2-10P)		DFA2.5				/			
End cover		D-DC2.5				D-DC2.5			
Partition plate		/				/			
Marker		ZB5 / WB5				ZB5 / WB5			
Marker support		/				/			
Terminal strip marker support		DLM2 / KLM3-20x8 / KLM3-44x8				DLM2 / KLM3-20x8 / KLM3-44x8			
End clamp		E-PC 1100A / E-WSN				E-PC 1100A / E-WSN			

Screw connection technology 1

Feed-through, multi-conductor, multi-level, and ground terminal blocks


DC2.5-TW
DC2.5-TW-PE

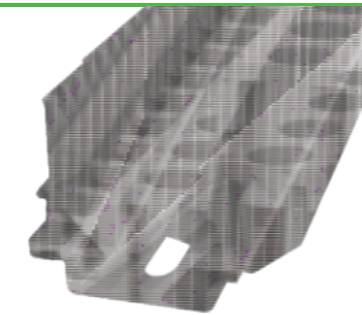
CE ENEC RoHS REACH

CE ENEC RoHS REACH

Order NO.	11020000067				/				
Width/Length/Height(NS35/7.5&NS35/15)	mm	5.1/48.7/49.2(56.7)				5.1/76/63(70.5)			
Electrical Data		IEC IEC60947-7-1		UL UL1059		IEC IEC60947-7-2		UL UL1059	
Rated voltage	V	1000		600		/		/	
Rated current	A	24		20		/		/	
Rated cross section	mm ² /AWG	0.2-4		26-12		0.2-4		26-12	
Connection capacity		Solid	Stranded	Ferrule (with and without plastic sleeve)		Solid	Stranded	Ferrule (with and without plastic sleeve)	
1 conductor	mm ²	0.2-4	0.2-2.5	0.2-2.5	0.5-2.5	0.2-4	0.2-2.5	0.2-2.5	0.2-2.5
2 flexible conductors with a TWIN ferrule	mm ²	—	—	—	0.5-1	—	—	—	0.5-1
General Information									
Insulation material/Flammability rating (according to UL 94)		PA/V0				PA/V0			
Operation temperatures	°C (°F)	-40(-40)~105(221)				-40(-40)~105(221)			
Stripping length	mm	10-11				10-11			
Color		Grey, Red, Blue (please contact sales for other color requirements)				Yellow green mixed color			
Screw/Rated torque	-/N.m(lb.in)(kgf.cm)	M2.5/0.4 (3.6)(4.08)				M2.5/0.4 (3.6)(4.08)			
Accessories									
Ferrule		/				/			
Slotted screwdriver size (Blade thickness x Width)	mm	0.6x3.5				0.6x3.5			
Screw		Slotted screw				Slotted screw			
Bridge (2-10P)		DFA2.5				/			
End cover		D-DC2.5-TW				D-DC2.5-TW			
Partition plate		/				/			
Marker		ZB5 / WB5				ZB5 / WB5			
Marker support		/				/			
Terminal strip marker support		DLM2 / KLM3-20x8 / KLM3-44x8				DLM2 / KLM3-20x8 / KLM3-44x8			
End clamp		E-PC 1100A / E-WSN				E-PC 1100A / E-WSN			

Screw connection technology 1

Feed-through, multi-conductor, multi-level, and ground terminal blocks

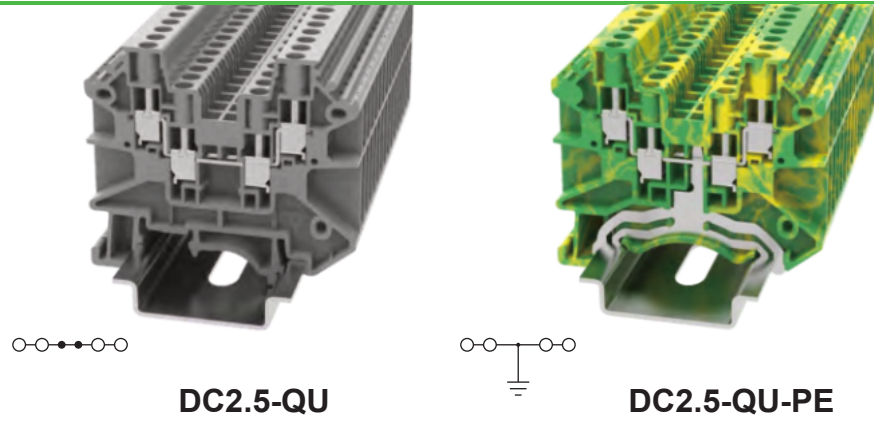

**DC2.5-TW-02A(H)
(Cross & Slotted screw)**

CE ENEC RoHS REACH

Order NO.	11020000222				
Width/Length/Height(NS35/7.5&NS35/15)	mm	5.1/48.7/49.2(56.7)			
Electrical Data		IEC IEC60947-7-1		UL UL1059	
Rated voltage	V	1000		600	
Rated current	A	24		20	
Rated cross section	mm ² /AWG	0.2-4		26-12	
Connection capacity		Solid	Stranded	Ferrule (with and without plastic sleeve)	
1 conductor	mm ²	0.2-4	0.2-2.5	0.2-2.5	0.2-2.5
2 flexible conductors with a TWIN ferrule	mm ²	—	—	—	0.5-1
General Information					
Insulation material/Flammability rating (according to UL 94)		PA/V0			
Operation temperatures	°C (°F)	-40(-40)~105(221)			
Stripping length	mm	10-11			
Color		Grey, Red, Blue (please contact sales for other color requirements)			
Screw/Rated torque	-/N.m(lb.in)(kgf.cm)	M2.5/0.4 (3.6)(4.08)			
Accessories					
Ferrule		/			
Cross & Slotted Screwdriver specification (Thickness x Width)	mm	0.6x3.5			
Screw		Cross & Slotted screw			
Bridge (2-10P)		DFA2.5			
End cover		D-DC2.5-TW			
Partition plate		/			
Marker		ZB5 / WB5			
Marker support		/			
Terminal strip marker support		DLM2 / KLM3-20x8 / KLM3-44x8			
End clamp		E-PC 1100A / E-WSN			

Screw connection technology 1

Feed-through, multi-conductor, multi-level, and ground terminal blocks



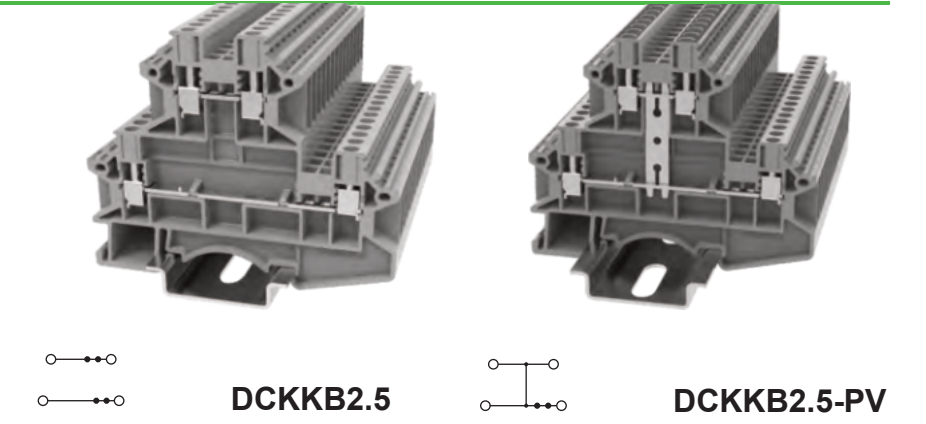
CE ENEC RoHS REACH

CE ENEC RoHS REACH

Order NO.	11020000214				11020000215			
Width/Length/Height(NS35/7.5&NS35/15)	mm 5.1/54.4/49.2 (56.7)				mm 5.1/54.4/49.2 (56.7)			
Electrical Data	IEC IEC60947-7-1		UL UL1059		IEC IEC60947-7-2		UL UL1059	
Rated voltage	V 500		300		/		/	
Rated current	A 24		20		/		/	
Rated cross section	mm ² /AWG 0.2-4		24-12		0.2-4		24-12	
Connection capacity	Solid	Stranded	Ferrule (with and without plastic sleeve)		Solid	Stranded	Ferrule (with and without plastic sleeve)	
1 conductor	mm ² 0.2-4	0.2-2.5	0.2-2.5	0.2-2.5	0.2-4	0.2-2.5	0.2-2.5	0.2-2.5
2 flexible conductors with a TWIN ferrule	mm ² —	—	—	0.5-1	—	—	—	0.5-1
General Information								
Insulation material/Flammability rating (according to UL 94)	PA/V0				PA/V0			
Operation temperatures	°C (°F) -40(-40)~105(221)				-40(-40)~105(221)			
Stripping length	mm 8-10				8-10			
Color	Grey, Red, Blue (please contact sales for other color requirements)				Yellow green mixed color			
Screw/Rated torque	-N.m(lb.in)(kgf.cm) M2.5/0.4(3.54)(4.08)				M2.5/0.4(3.54)(4.08)			
Accessories								
Ferrule	/				/			
Cross & Slotted Screwdriver specification (Thickness x Width)	mm 0.6x3.5				0.6x3.5			
Screw	Cross & Slotted screw				Cross & Slotted screw			
Bridge (2-10P)	DFA2.5				DFA2.5			
End cover	D-DC4-QU				D-DC4-QU			
Partition plate	/				/			
Marker	ZB5				ZB5			
Marker support	/				/			
Terminal strip marker support	DLM2 / KLM3-20x8 / KLM3-44x8				DLM2 / KLM3-20x8 / KLM3-44x8			
End clamp	E-PC 1100A / E-WSN				E-PC 1100A / E-WSN			

Screw connection technology 1

Feed-through, multi-conductor, multi-level, and ground terminal blocks



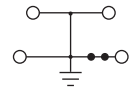
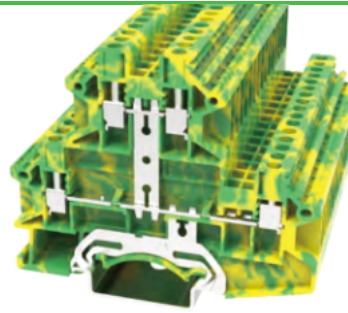
CE ENEC RoHS REACH

CE ENEC RoHS REACH

Order NO.	11020000073				11020000075			
Width/Length/Height(NS35/7.5&NS35/15)	mm 5.1/76/63(70.5)				mm 5.1/76/63(70.5)			
Electrical Data	IEC IEC60947-7-1		UL UL1059		IEC IEC60947-7-1		UL UL1059	
Rated voltage	V 500		300		500		300	
Rated current	A 24		20		24		20	
Rated cross section	mm ² /AWG 0.5-4		26-12		0.5-4		26-12	
Connection capacity	Solid	Stranded	Ferrule (with and without plastic sleeve)		Solid	Stranded	Ferrule (with and without plastic sleeve)	
1 conductor	mm ² 0.5-4	0.5-2.5	0.5-2.5	0.5-2.5	0.5-4	0.5-2.5	0.5-2.5	0.5-2.5
2 flexible conductors with a TWIN ferrule	mm ² —	—	—	0.5-1	—	—	—	0.5-1
General Information								
Insulation material/Flammability rating (according to UL 94)	PA/V0				PA/V0			
Operation temperatures	°C (°F) -40(-40)~105(221)				-40(-40)~105(221)			
Stripping length	mm 8-10				8-10			
Color	Grey, Red, Blue (please contact sales for other color requirements)				Grey, Red, Blue (please contact sales for other color requirements)			
Screw/Rated torque	-N.m(lb.in)(kgf.cm) M2.5/0.4 (3.6) (4.08)				M2.5/0.4 (3.6) (4.08)			
Accessories								
Ferrule	/				/			
Slotted screwdriver size (Blade thickness x Width)	mm 0.6x3.5				0.6x3.5			
Screw	Slotted screw				Slotted screw			
Bridge (2-10P)	DFA2.5				DFA2.5			
End cover	D-DCKKB2.5				D-DCKKB2.5			
Partition plate	/				/			
Marker	ZB5 / WB5				ZB5 / WB5			
Marker support	/				/			
Terminal strip marker support	DLM2 / KLM3-20x8 / KLM3-44x8				DLM2 / KLM3-20x8 / KLM3-44x8			
End clamp	E-PC 1100A / E-WSN				E-PC 1100A / E-WSN			

Screw connection technology 1

Feed-through, multi-conductor, multi-level, and ground terminal blocks

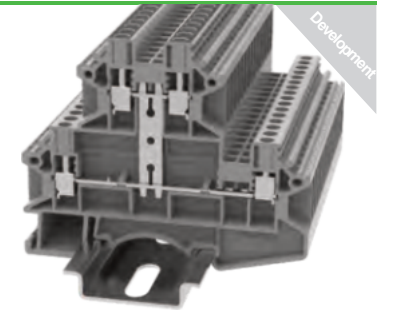
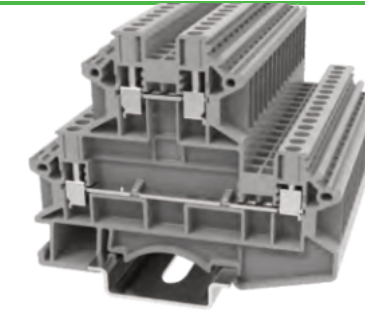

DCKKB2.5-PE

CE ENEC RoHS REACH

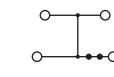
Order NO.	11020000069			
Width/Length/Height(NS35/7.5&NS35/15)	mm	5.1/76/63(70.5)		
Electrical Data		IEC IEC60947-7-2	UL UL1059	
Rated voltage	V	/	/	
Rated current	A	/	/	
Rated cross section	mm ² /AWG	0.5-4	26-12	
Connection capacity		Solid	Stranded	Ferrule (with and without plastic sleeve)
1 conductor	mm ²	0.5-4	0.5-2.5	0.5-2.5 0.5-2.5
2 flexible conductors with a TWIN ferrule	mm ²	—	—	— 0.5-1
General Information				
Insulation material/Flammability rating (according to UL 94)		PA/V0		
Operation temperatures	°C (°F)	-40(-40)~105(221)		
Stripping length	mm	8-10		
Color		Yellow green mixed color		
Screw/Rated torque	-/N.m(lb.in)(kgf.cm)	M2.5/0.4 (3.6) (4.08)		
Accessories				
Ferrule		/		
Slotted screwdriver size (Blade thickness x Width)	mm	0.6x3.5		
Screw		Slotted screw		
Bridge (2-10P)		DFA2.5		
End cover		D-DCKKB2.5		
Partition plate		/		
Marker		ZB5 / WB5		
Marker support		/		
Terminal strip marker support		DLM2 / KLM3-20x8 / KLM3-44x8		
End clamp		E-PC 1100A / E-WSN		

Screw connection technology 1

Feed-through, multi-conductor, multi-level, and ground terminal blocks


DCKKB2.5-02A(H)
(Cross & Slotted screw)

CE ENEC RoHS REACH

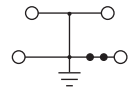

DCKKB2.5-PV-02A(H)
(Cross & Slotted screw)

CE ENEC RoHS REACH

Order NO.	11020000074	/
Width/Length/Height(NS35/7.5&NS35/15)	mm	5.1/76/63(70.5)
Electrical Data	IEC IEC60947-7-1	UL UL1059
Rated voltage	V	500 300
Rated current	A	24 20
Rated cross section	mm ² /AWG	0.5-4 26-12
Connection capacity	Solid	Stranded
1 conductor	mm ²	0.5-4 0.5-2.5 0.5-2.5 0.5-2.5
2 flexible conductors with a TWIN ferrule	mm ²	— — — 0.5-1
General Information		
Insulation material/Flammability rating (according to UL 94)		PA/V0
Operation temperatures	°C (°F)	-40(-40)~105(221)
Stripping length	mm	8-10
Color		Grey, Red, Blue (please contact sales for other color requirements)
Screw/Rated torque	-/N.m(lb.in)(kgf.cm)	M2.5/0.4 (3.6) (4.08)
Accessories		
Ferrule		/
Cross & Slotted Screwdriver specification (Thickness x Width)	mm	0.6x3.5
Screw		Cross & Slotted screw
Bridge (2-10P)		DFA2.5
End cover		D-DCKKB2.5
Partition plate		/
Marker		ZB5 / WB5
Marker support		/
Terminal strip marker support		DLM2 / KLM3-20x8 / KLM3-44x8
End clamp		E-PC 1100A / E-WSN

Screw connection technology 1

Feed-through, multi-conductor, multi-level, and ground terminal blocks

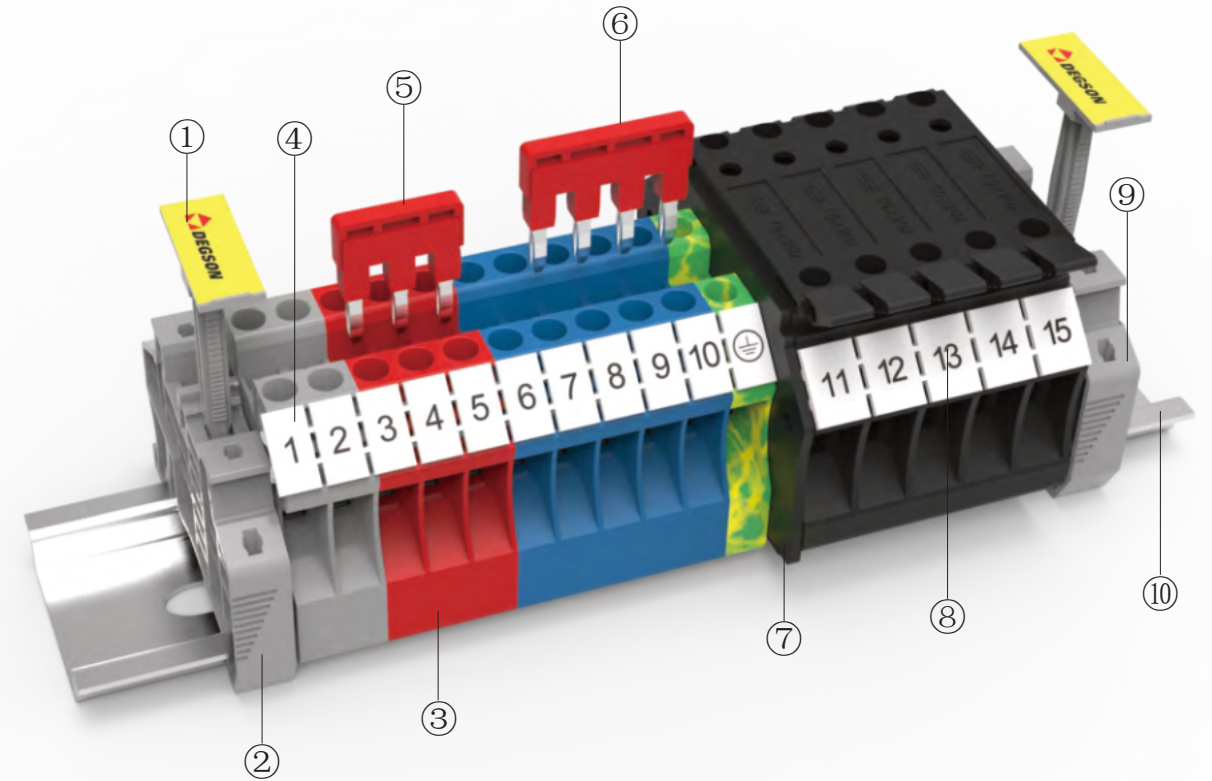


DCKKB2.5-PE-02A(H)
(Cross & Slotted screw)

CE ENEC RoHS REACH

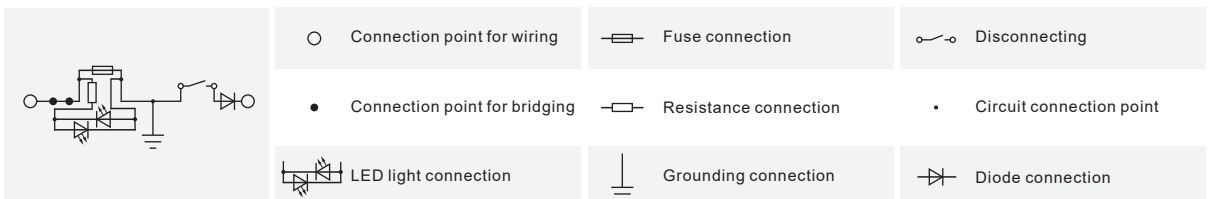
Order NO.	11020000194			
Width/Length/Height(NS35/7.5&NS35/15)	mm	5.1/76/63(70.5)		
Electrical Data		IEC	UL	
		IEC60947-7-2	UL1059	
Rated voltage	V	/	/	
Rated current	A	/	/	
Rated cross section	mm ² /AWG	0.5-4	26-12	
Connection capacity		Solid	Stranded	Ferrule (with and without plastic sleeve)
1 conductor	mm ²	0.5-4	0.5-2.5	0.5-2.5
2 flexible conductors with a TWIN ferrule	mm ²	-	-	0.5-1
General Information				
Insulation material/Flammability rating (according to UL 94)		PA/V0		
Operation temperatures	°C (°F)	-40(-40)~105(221)		
Stripping length	mm	8-10		
Color		Yellow green mixed color		
Screw/Rated torque	-/N.m(lb.in)(kgf.cm)	M2.5/0.4 (3.6) (4.08)		

Accessories	
Ferrule	/
Cross & Slotted Screwdriver specification (Thickness x Width)	mm 0.6x3.5
Screw	Cross & Slotted screw
Bridge (2-10P)	DFA2.5
End cover	D-DCKKB2.5
Partition plate	/
Marker	ZB5 / WB5
Marker support	/
Terminal strip marker support	DLM2 / KLM3-20x8 / KLM3-44x8
End clamp	E-PC 1100A / E-WSN



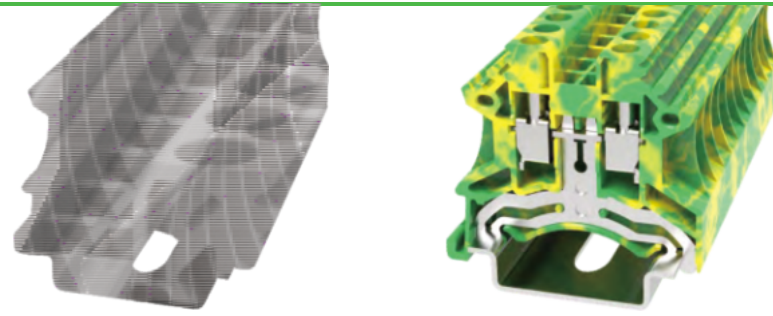
Description	Part No.	Remark
① Marker carrier	KLM3-20x8-11-00A(H)	Suitable for E-PC-1100A(H) & E-WSN
② End clamp	E-WS N-01P-11-00A(H)	Fixing products on NS35 DIN rail
③ Terminal blocks	DC2.5-01P-11-00A(H)	Steel cage locking type 4mm ² DIN Rail terminal blocks
④ Marker	ZB6-10P-19-00A(H)	Marker is used for the side of DC4 series
⑤ Plug-in bridge	DFA4-03P-11-00A(H)	03P bridge, use for DC4 series
⑥ Plug-in bridge	DFA2.5-04P-11-00A(H)	04P bridge, use for DC4 series
⑦ End cover	D-DC4-HE-01P-13-00A(H)	End cover is used for DC4-HE
⑧ Marker	ZB8-10P-19-00A(H)	Marker is used for the side of DC4-HE
⑨ End clamp	E-WS N-01P-11-00A(H)	Fixing products on NS35 DIN rail
⑩ DIN rail	NS35/7.5-0150-00A(H)	NS35 DIN rail

Circuit diagram



Screw connection technology 1

Feed-through and ground terminal blocks


DC4

UL US CE ENEC RoHS REACH

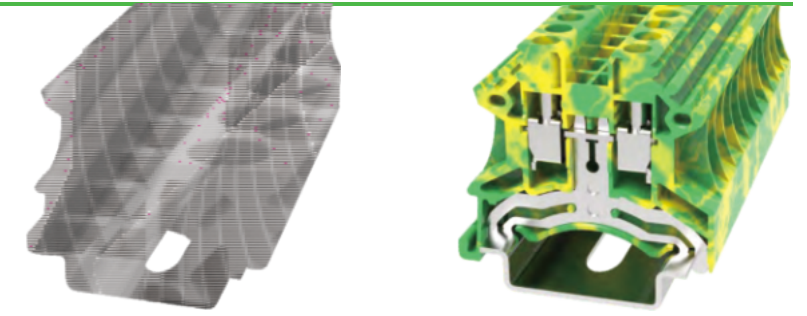

DC4-PE

UL US CE ENEC RoHS REACH

Order NO.	11020000035				11020000046			
Width/Length/Height(NS35/7.5&NS35/15)	mm 6.1/42.3/41.9(49.4)				mm 6.1/42.3/41.9(49.4)			
Electrical Data	IEC IEC60947-7-1		UL UL1059		IEC IEC60947-7-2		UL UL1059	
Rated voltage	V 1000		V 600		/		/	
Rated current	A 32		A 30		/		/	
Rated cross section	mm ² /AWG 0.5-4		mm ² /AWG 22-10		mm ² /AWG 0.5-4		mm ² /AWG 22-10	
Connection capacity	Solid	Stranded	Ferrule (with and without plastic sleeve)		Solid	Stranded	Ferrule (with and without plastic sleeve)	
1 conductor	mm ² 0.5-6	mm ² 0.5-4	mm ² 0.5-4	mm ² 0.5-4	mm ² 0.5-6	mm ² 0.5-4	mm ² 0.5-4	mm ² 0.5-4
2 flexible conductors with a TWIN ferrule	mm ² -	mm ² -	mm ² -	mm ² 0.5-1.5	mm ² -	mm ² -	mm ² -	mm ² 0.5-1.5
General Information								
Insulation material/Flammability rating (according to UL 94)	PA/V0				PA/V0			
Operation temperatures	°C (°F) -40(-40)~105(221)				°C (°F) -40(-40)~105(221)			
Stripping length	mm 8-9				mm 8-9			
Color	Grey, Red, Blue (please contact sales for other color requirements)				Yellow green mixed color			
Screw/Rated torque	-/N.m(lb.in)(kgf.cm) M3/0.5(4.5)(5.1)				-/N.m(lb.in)(kgf.cm) M3/0.5(4.5)(5.1)			
Accessories								
Ferrule	/				/			
Slotted screwdriver size (Blade thickness x Width)	mm 0.6x3.5				mm 0.6x3.5			
Screw	Slotted screw				Slotted screw			
Bridge (2-10P)	DFA4				/			
End cover	D-DC2.5				D-DC2.5			
Partition plate	/				/			
Marker	ZB6				ZB6			
Marker support	/				/			
Terminal strip marker support	DLM2 / KLM3-20x8 / KLM3-44x8				DLM2 / KLM3-20x8 / KLM3-44x8			
End clamp	E-PC 1100A / E-WSN				E-PC 1100A / E-WSN			

Screw connection technology 1

Feed-through and ground terminal blocks


DC4-12A(H)
(Cross & Slotted screw)

UL US CE ENEC RoHS REACH

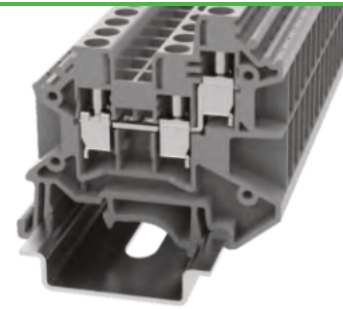

DC4-PE-02A(H)
(Cross & Slotted screw)

UL US CE ENEC RoHS REACH

Order NO.	11020000059				11020000220			
Width/Length/Height(NS35/7.5&NS35/15)	mm 6.1/42.3/41.9(49.4)				mm 6.1/42.3/41.9(49.4)			
Electrical Data	IEC IEC60947-7-1		UL UL1059		IEC IEC60947-7-2		UL UL1059	
Rated voltage	V 1000		V 600		/		/	
Rated current	A 32		A 30		/		/	
Rated cross section	mm ² /AWG 0.5-4		mm ² /AWG 22-10		mm ² /AWG 0.5-4		mm ² /AWG 22-10	
Connection capacity	Solid	Stranded	Ferrule (with and without plastic sleeve)		Solid	Stranded	Ferrule (with and without plastic sleeve)	
1 conductor	mm ² 0.5-6	mm ² 0.5-4	mm ² 0.5-4	mm ² 0.5-4	mm ² 0.5-6	mm ² 0.5-4	mm ² 0.5-4	mm ² 0.5-4
2 flexible conductors with a TWIN ferrule	mm ² -	mm ² -	mm ² -	mm ² 0.5-1.5	mm ² -	mm ² -	mm ² -	mm ² 0.5-1.5
General Information								
Insulation material/Flammability rating (according to UL 94)	PA/V0				PA/V0			
Operation temperatures	°C (°F) -40(-40)~105(221)				°C (°F) -40(-40)~105(221)			
Stripping length	mm 8-9				mm 8-9			
Color	Grey, Red, Blue (please contact sales for other color requirements)				Yellow green mixed color			
Screw/Rated torque	-/N.m(lb.in)(kgf.cm) M3/0.5(4.5)(5.1)				-/N.m(lb.in)(kgf.cm) M3/0.5(4.5)(5.1)			
Accessories								
Ferrule	/				/			
Cross & Slotted Screwdriver specification (Thickness x Width)	mm 0.6x3.5				mm 0.6x3.5			
Screw	Cross & Slotted screw				Cross & Slotted screw			
Bridge (2-10P)	DFA4				/			
End cover	D-DC2.5				D-DC2.5			
Partition plate	/				/			
Marker	ZB6				ZB6			
Marker support	/				/			
Terminal strip marker support	DLM2 / KLM3-20x8 / KLM3-44x8				DLM2 / KLM3-20x8 / KLM3-44x8			
End clamp	E-PC 1100A / E-WSN				E-PC 1100A / E-WSN			

Screw connection technology 1

Feed-through and ground terminal blocks


DC4-TW

CE ERE RoHS REACH

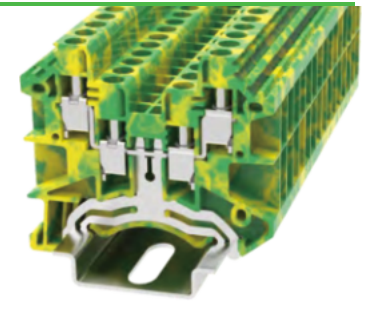
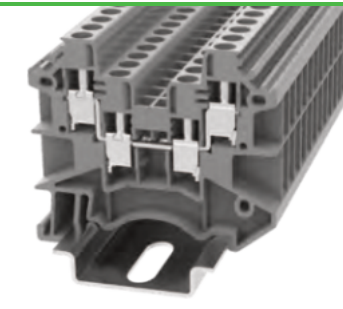

DC4-TW-PE

CE ERE RoHS REACH

Order NO.	11020000229				11020000230			
Width/Length/Height(NS35/7.5&NS35/15)	mm		6.2/50.9/49.2 56.7		6.2/50.9/49.2 56.7			
Electrical Data	IEC IEC60947-7-1		UL UL1059		IEC IEC60947-7-2		UL UL1059	
Rated voltage	V	500	300	/	/	/	/	
Rated current	A	32	30	/	/	/	/	
Rated cross section	mm ² / AWG	0.5-4	20-12	0.5-4	20-12	0.5-4	20-12	
Connection capacity		Solid	Stranded	Ferrule (with and without plastic sleeve)	Solid	Stranded	Ferrule (with and without plastic sleeve)	
1 conductor	mm ²	0.5-6	0.5-4	0.5-2.5 0.5-2.5	0.5-6	0.5-4	0.5-2.5 0.5-2.5	
2 flexible conductors with a TWIN ferrule	mm ²	-	-	- 0.5-2.5	-	-	- 0.5-2.5	
General Information								
Insulation material/Flammability rating (according to UL 94)	PA/V0				PA/V0			
Operation temperatures	°C (°F)	-40(-40)~105(221)			-40(-40)~105(221)			
Stripping length	mm	8-9			8-9			
Color		Grey, Red, Blue (please contact sales for other color requirements)			Yellow green mixed color			
Screw/Rated torque	-/N.m(lb.in)(kgf.cm)	M3/0.6(6.0)(5.1)			M3/0.6(6.0)(5.1)			
Accessories								
Ferrule		/			/			
Cross & Slotted Screwdriver specification (Thickness x Width)	mm	0.6x3.5			0.6x3.5			
Screw		Cross & Slotted screw			Cross & Slotted screw			
Bridge (2-10P)		DFA4			/			
End cover		D-DC2.5-TW			D-DC2.5-TW			
Partition plate		/			/			
Marker		ZB6			ZB6			
Marker support		/			/			
Terminal strip marker support		DLM2 / KLM3-20x8 / KLM3-44x8			DLM2 / KLM3-20x8 / KLM3-44x8			
End clamp		E-PC 1100A / E-WSN			E-PC 1100A / E-WSN			

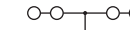
Screw connection technology 1

Feed-through and ground terminal blocks


DC4-QU

(Cross & Slotted screw)

CE ERE RoHS REACH


DC4-QU-PE

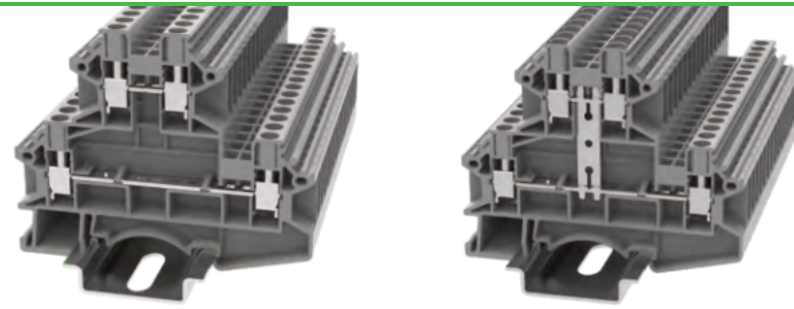
(Cross & Slotted screw)

CE ERE RoHS REACH

Order NO.	11020000188				11020000189			
Width/Length/Height(NS35/7.5&NS35/15)	mm		6.1/54.4/49.2(56.7)		6.1/54.4/49.2(56.7)			
Electrical Data	IEC IEC60947-7-1		UL UL1059		IEC IEC60947-7-2		UL UL1059	
Rated voltage	V	500	300	/	/	/	/	
Rated current	A	32	30	/	/	/	/	
Rated cross section	mm ² / AWG	0.5-4	22-10	0.5-4	22-10	0.5-4	22-10	
Connection capacity		Solid	Stranded	Ferrule (with and without plastic sleeve)	Solid	Stranded	Ferrule (with and without plastic sleeve)	
1 conductor	mm ²	0.5-6	0.5-4	0.5-4 0.5-4	0.5-6	0.5-4	0.5-4 0.5-4	
2 flexible conductors with a TWIN ferrule	mm ²	-	-	- 0.5-1.5	-	-	- 0.5-1.5	
General Information								
Insulation material/Flammability rating (according to UL 94)	PA/V0				PA/V0			
Operation temperatures	°C (°F)	-40(-40)~105(221)			-40(-40)~105(221)			
Stripping length	mm	8-9			8-9			
Color		Grey, Red, Blue (please contact sales for other color requirements)			Yellow green mixed color			
Screw/Rated torque	-/N.m(lb.in)(kgf.cm)	M3/0.6(6.0)(5.1)			M3/0.6(6.0)(5.1)			
Accessories								
Ferrule		/			/			
Cross & Slotted Screwdriver specification (Thickness x Width)	mm	0.6x3.5			0.6x3.5			
Screw		Cross & Slotted screw			Cross & Slotted screw			
Bridge (2-10P)		DFA4			/			
End cover		D-DC4-QU			D-DC4-QU			
Partition plate		/			/			
Marker		ZB6			ZB6			
Marker support		/			/			
Terminal strip marker support		DLM2 / KLM3-20x8 / KLM3-44x8			DLM2 / KLM3-20x8 / KLM3-44x8			
End clamp		E-PC 1100A / E-WSN			E-PC 1100A / E-WSN			

Screw connection technology 1











Feed-through and ground terminal blocks


DCKKB4

CE ENEC RoHS REACH

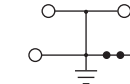
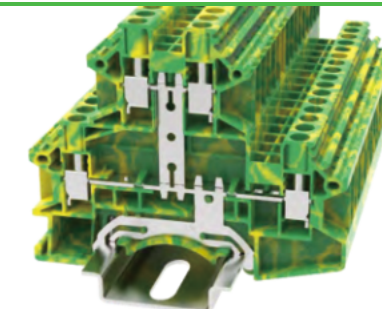

DCKKB4-PV

CE ENEC RoHS REACH






Order NO.	11020000126				11020000127			
Width/Length/Height(NS35/7.5&NS35/15)	mm 6.1/76/63(70.5)				mm 6.1/76/63(70.5)			
Electrical Data	IEC IEC60947-7-1		UL UL1059		IEC IEC60947-7-1		UL UL1059	
Rated voltage	V 800		V 300		V 800		V 300	
Rated current	A 32		A 30		A 32		A 30	
Rated cross section	mm ² /AWG 0.5-4		mm ² /AWG 22-10		mm ² /AWG 0.5-4		mm ² /AWG 22-10	
Connection capacity	Solid	Stranded	Ferrule (with and without plastic sleeve)		Solid	Stranded	Ferrule (with and without plastic sleeve)	
1 conductor	mm ² 0.5-6	mm ² 0.5-4	mm ² 0.5-4	mm ² 0.5-4	mm ² 0.5-6	mm ² 0.5-4	mm ² 0.5-4	mm ² 0.5-4
2 flexible conductors with a TWIN ferrule	mm ² —	mm ² —	mm ² —	mm ² 0.5-1.5	mm ² —	mm ² —	mm ² —	mm ² 0.5-1.5
General Information								
Insulation material/Flammability rating (according to UL 94)	PA/V0				PA/V0			
Operation temperatures	°C (°F) -40(-40)~105(221)				°C (°F) -40(-40)~105(221)			
Stripping length	mm 8-9				mm 8-9			
Color	Grey, Red, Blue (please contact sales for other color requirements)				Grey, Red, Blue (please contact sales for other color requirements)			
Screw/Rated torque	-/N.m(lb.in)(kgf.cm) M3/0.6(5.3)(6.1)				-/N.m(lb.in)(kgf.cm) M3/0.6(5.3)(6.1)			
Accessories								
Ferrule	/				/			
Slotted screwdriver size (Blade thickness x Width)	mm 0.6x3.5				mm 0.6x3.5			
Screw	Slotted screw				Slotted screw			
Bridge (2-10P)	 DFA4				 DFA4			
End cover	 D-DCKKB2.5				 D-DCKKB2.5			
Partition plate	/				/			
Marker	 ZB6				 ZB6			
Marker support	/				/			
Terminal strip marker support	 DLM2 / KLM3-20x8 / KLM3-44x8				 DLM2 / KLM3-20x8 / KLM3-44x8			
End clamp	 E-PC 1100A / E-WSN				 E-PC 1100A / E-WSN			

Screw connection technology 1

Feed-through and ground terminal blocks

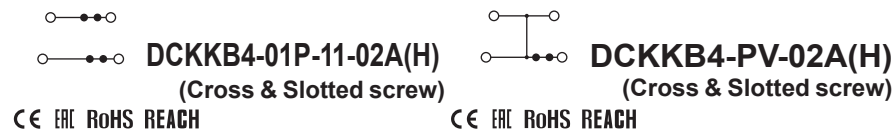
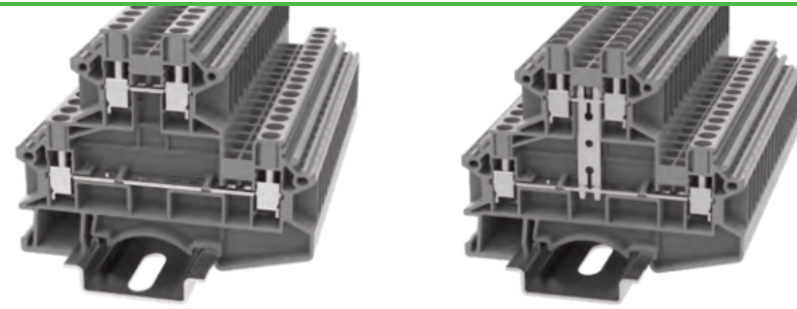

DCKKB4-PE











CE ENEC RoHS REACH

Order NO.	11020000070			
Width/Length/Height(NS35/7.5&NS35/15)	mm 6.1/76/63(70.5)			
Electrical Data	IEC IEC60947-7-2		UL UL1059	
Rated voltage	V /		V /	
Rated current	A /		A /	
Rated cross section	mm ² /AWG 0.5-4		mm ² /AWG 22-10	
Connection capacity	Solid	Stranded	Ferrule (with and without plastic sleeve)	
1 conductor	mm ² 0.5-6	mm ² 0.5-4	mm ² 0.5-4	mm ² 0.5-4
2 flexible conductors with a TWIN ferrule	mm ² —	mm ² —	mm ² —	mm ² 0.5-1.5
General Information				
Insulation material/Flammability rating (according to UL 94)	PA/V0			
Operation temperatures	°C (°F) -40(-40)~105(221)			
Stripping length	mm 8-9			
Color	Yellow green mixed color			
Screw/Rated torque	-/N.m(lb.in)(kgf.cm) M3/0.6(5.3)(6.1)			
Accessories				
Ferrule	/			
Slotted screwdriver size (Blade thickness x Width)	mm 0.6x3.5			
Screw	Slotted screw			
Bridge (2-10P)	 DFA4			
End cover	 D-DCKKB2.5			
Partition plate	/			
Marker	 ZB6			
Marker support	/			
Terminal strip marker support	 DLM2 / KLM3-20x8 / KLM3-44x8			
End clamp	 E-PC 1100A / E-WSN			

Screw connection technology 1

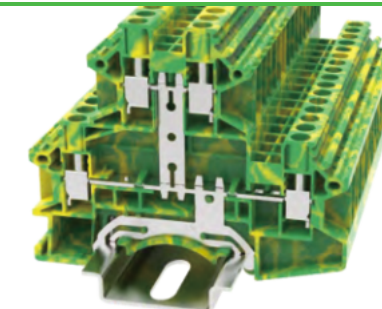
Feed-through and ground terminal blocks








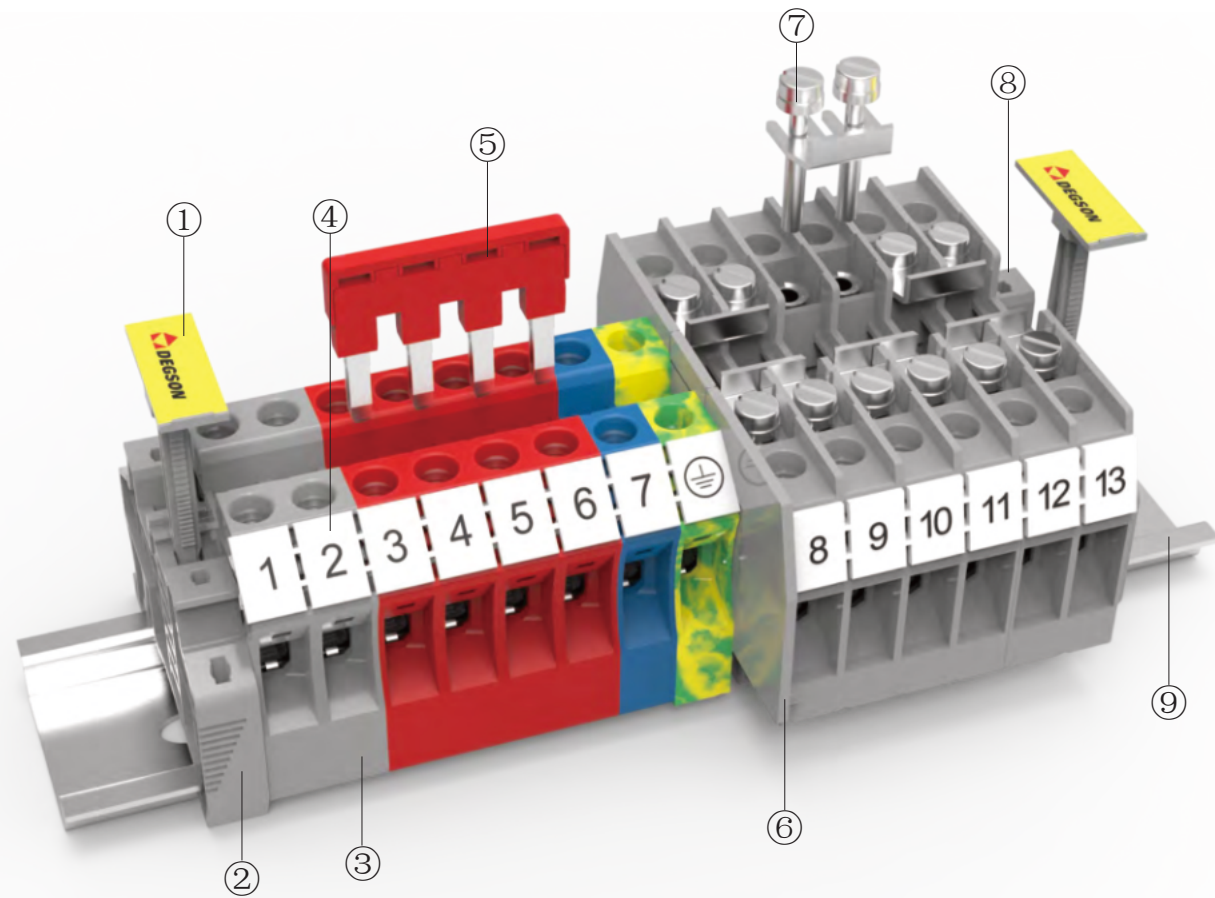
Order NO.	11020000191				11020000192			
Width/Length/Height(NS35/7.5&NS35/15)	mm 6.1/76/63(70.5)				mm 6.1/76/63(70.5)			
Electrical Data	IEC IEC60947-7-1		UL UL1059		IEC IEC60947-7-1		UL UL1059	
Rated voltage	V 800		300		V 800		300	
Rated current	A 32		30		A 32		30	
Rated cross section	mm ² /AWG 0.5-4		22-10		mm ² /AWG 0.5-4		22-10	
Connection capacity	Solid	Stranded	Ferrule (with and without plastic sleeve)		Solid	Stranded	Ferrule (with and without plastic sleeve)	
1 conductor	mm ² 0.5-6	0.5-4	0.5-4	0.5-4	mm ² 0.5-6	0.5-4	0.5-4	0.5-4
2 flexible conductors with a TWIN ferrule	mm ² -	-	-	0.5-1.5	mm ² -	-	-	0.5-1.5
General Information								
Insulation material/Flammability rating (according to UL 94)	PA/V0				PA/V0			
Operation temperatures	°C (°F) -40(-40)~105(221)				°C (°F) -40(-40)~105(221)			
Stripping length	mm 8-9				mm 8-9			
Color	Grey, Red, Blue (please contact sales for other color requirements)				Grey, Red, Blue (please contact sales for other color requirements)			
Screw/Rated torque	-/N.m(lb.in)(kgf.cm) M3/0.6(5.3)(6.1)				-/N.m(lb.in)(kgf.cm) M3/0.6(5.3)(6.1)			
Accessories								
Ferrule	/				/			
Cross & Slotted Screwdriver specification (Thickness x Width)	mm 0.6x3.5				mm 0.6x3.5			
Screw	Cross & Slotted screw				Cross & Slotted screw			
Bridge (2-10P)	 DFA4				 DFA4			
End cover	 D-DCKKB2.5				 D-DCKKB2.5			
Partition plate	/				/			
Marker	 ZB6				 ZB6			
Marker support	/				/			
Terminal strip marker support	 DLM2 / KLM3-20x8 / KLM3-44x8				 DLM2 / KLM3-20x8 / KLM3-44x8			
End clamp	 E-PC 1100A / E-WSN				 E-PC 1100A / E-WSN			

Screw connection technology 1

Feed-through and ground terminal blocks



Order NO.	11020000193			
Width/Length/Height(NS35/7.5&NS35/15)	mm 6.1/76/63(70.5)			
Electrical Data	IEC IEC60947-7-2		UL UL1059	
Rated voltage	V /		/	
Rated current	A /		/	
Rated cross section	mm ² /AWG 0.5-4		22-10	
Connection capacity	Solid	Stranded	Ferrule (with and without plastic sleeve)	
1 conductor	mm ² 0.5-6	0.5-4	0.5-4	0.5-4
2 flexible conductors with a TWIN ferrule	mm ² -	-	-	0.5-1.5
General Information				
Insulation material/Flammability rating (according to UL 94)	PA/V0			
Operation temperatures	°C (°F) -40(-40)~105(221)			
Stripping length	mm 8-9			
Color	Yellow green mixed color			
Screw/Rated torque	-/N.m(lb.in)(kgf.cm) M3/0.6(5.3)(6.1)			
Accessories				
Ferrule	/			
Slotted screwdriver size (Blade thickness x Width)	mm 0.6x3.5			
Screw	Cross & Slotted screw			
Bridge (2-10P)	 DFA4			
End cover	 D-DCKKB2.5			
Partition plate	/			
Marker	 ZB6			
Marker support	/			
Terminal strip marker support	 DLM2 / KLM3-20x8 / KLM3-44x8			
End clamp	 E-PC 1100A / E-WSN			



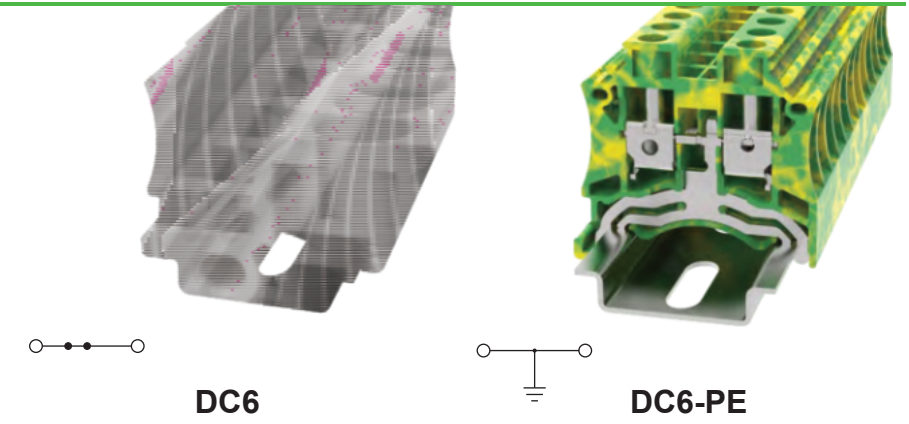
Description	Part No.	Remark
① Marker carrier	KLM3-20x8-11-00A(H)	Suitable for E-PC-1100A(H) & E-WS N
② End stopper	E-WS N-01P-11-00A(H)	Fixing products on NS35 DIN rail
③ Terminal blocks	DC6-01P-11-00A(H)	Steel cage locking type 6mm ² DIN Rail terminal blocks
④ Marker	ZB8-10P-19-00A(H)	Marker is used for the side of DC6 series
⑤ Plug-in bridge	DFA6-04P-11-00A(H)	04P bridge, use for DC6 series
⑥ End cover	D-DCTK6-01P-11-00A(H)	End cover is used for DCTK6
⑦ Fixed bridge	FBRI6-RTK/S-02P-00A(H)	02P bridge, use for DCTK6
⑧ End stopper	E-WS N-01P-11-00A(H)	Fixing products on NS35 DIN rail
⑨ DIN rail	NS35/7.5-0150-00A(H)	NS35 DIN rail

Circuit diagram

	Connection point for wiring		Fuse connection		Disconnecting
	Connection point for bridging		Resistance connection		Circuit connection point
	LED light connection		Grounding connection		Diode connection

Screw connection technology 1

Feed-through and ground terminal blocks

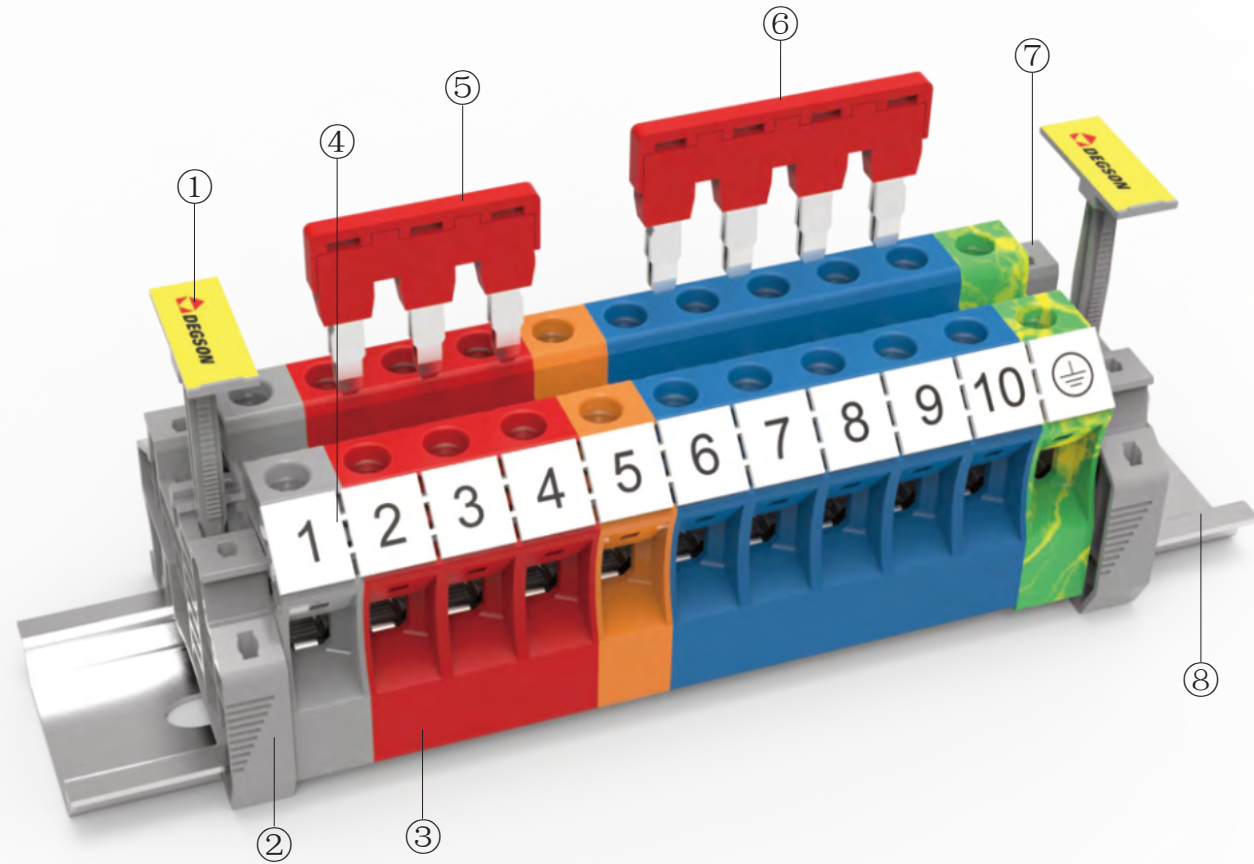


DC6 DC6-PE

Order NO.	1102000047			1102000196		
Width/Length/Height(NS35/7.5&NS35/15)	mm			8/44.95/43.5(51)		
Electrical Data	IEC IEC60947-7-1		UL UL1059	IEC IEC60947-7-2		UL UL1059
	Rated voltage	V	1000	600	/	/
Rated current	A	41	50	/	/	
Rated cross section	mm ² /AWG	0.5-6	22-8	0.5-6	22-8	
Connection capacity	Solid Stranded Ferrule (with and without plastic sleeve)			Solid Stranded Ferrule (with and without plastic sleeve)		
	1 conductor	mm ²	0.5-6	0.5-6	0.5-4	0.5-4
2 flexible conductors with a TWIN ferrule	mm ²	-	-	-	0.5-2.5	0.5-2.5

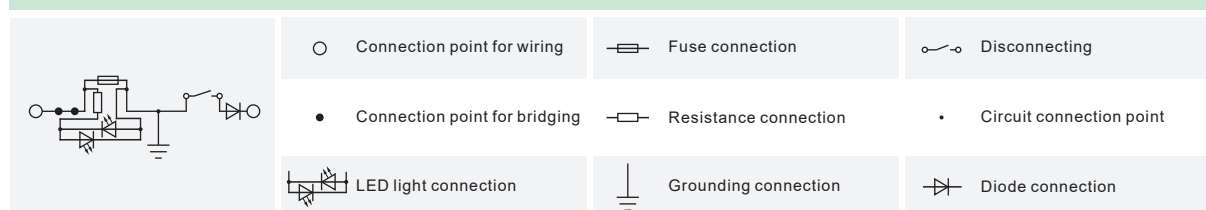
General Information		
Insulation material/Flammability rating (according to UL 94)	PA/V0	
Operation temperatures	°C (°F)	
	-40(-40)~105(221)	
Stripping length	mm	
	10-11	
Color	Grey, Red, Blue (please contact sales for other color requirements)	
Screw/Rated torque	-/N.m(lb.in)(kgf.cm)	
	M4/1.2(10.6)(12.24)	
	M4/1.2(10.6)(12.24)	

Accessories		
Ferrule	/	
Slotted screwdriver size (Blade thickness x Width)	mm	
	1x4	
Screw	Slotted screw	
	Slotted screw	
Bridge (2-10P)	DFA6	
	/	
End cover	D-DC6	
	D-DC6	
Partition plate	/	
	/	
Marker	ZB8	
	ZB8	
Marker support	/	
	/	
Terminal strip marker support	DLM2 / KLM3-20x8 / KLM3-44x8	
	DLM2 / KLM3-20x8 / KLM3-44x8	
End clamp	E-PC 1100A / E-WSN	
	E-PC 1100A / E-WSN	



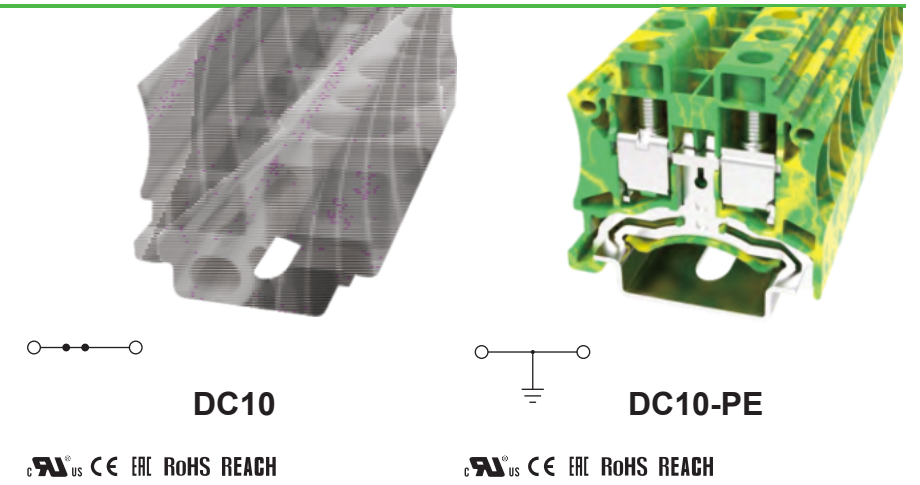
Description	Part No.	Remark
① Marker carrier	KLM3-20x8-11-00A(H)	Suitable for E-PC-1100A(H) & E-WS N
② End clamp	E-WS N-01P-11-00A(H)	Fixing products on NS35 DIN rail
③ Terminal blocks	DC6-01P-11-00A(H)	Steel cage locking type 10mm ² DIN Rail terminal blocks
④ Marker	ZB10-10P-19-00A(H)	Marker is used for the side of DC10 series
⑤ Plug-in bridge	DFA10-03P-11-00A(H)	03P bridge, use for DC10
⑥ Plug-in bridge	DFA10-04P-11-00A(H)	04P bridge, use for DC10
⑦ End clamp	E-WS N-01P-11-00A(H)	Fixing products on NS35 DIN rail
⑧ DIN rail	NS35/7.5-0150-00A(H)	NS35 DIN rail

Circuit diagram



Screw connection technology 1

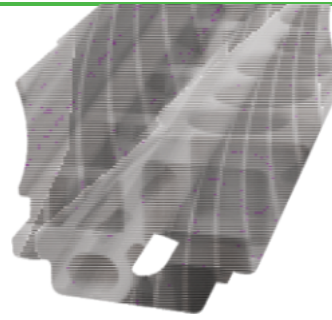
Feed-through and ground terminal blocks



Order NO.	1102000001	1102000011
Width/Length/Height(NS35/7.5&NS35/15) mm	8/44.95/43.5(51)	8/44.95/43.5(51)
Electrical Data	IEC IEC60947-7-1	UL UL1059
Rated voltage V	1000	600
Rated current A	57	65
Rated cross section mm ² /AWG	0.5-10	20-6
Connection capacity	Solid Stranded Ferrule (with and without plastic sleeve)	Solid Stranded Ferrule (with and without plastic sleeve)
1 conductor mm ²	0.5-10 0.5-10 0.5-10 0.5-10	0.5-10 0.5-10 0.5-10 0.5-10
2 flexible conductors with a TWIN ferrule mm ²	- - - 0.5-4	- - - 0.5-4
General Information		
Insulation material/Flammability rating (according to UL 94)	PA/V0	PA/V0
Operation temperatures °C (°F)	-40(-40)~105(221)	-40(-40)~105(221)
Stripping length mm	10-12	10-12
Color	Grey, Red, Blue (please contact sales for other color requirements)	Yellow green mixed color
Screw/Rated torque -/N.m(lb.in)(kgf.cm)	M4/1.54(14)(15.71)	M4/1.54(14)(15.71)
Accessories		
Ferrule	/	/
Slotted screwdriver size (Blade thickness x Width) mm	1x4	1x4
Screw	Slotted screw	Slotted screw
Bridge (2-10P)	DFA10	/
End cover	D-DC6	D-DC6
Partition plate	/	/
Marker	ZB10	ZB10
Marker support	/	/
Terminal strip marker support	DLM2 / KLM3-20x8 / KLM3-44x8	DLM2 / KLM3-20x8 / KLM3-44x8
End clamp	E-PC 1100A / E-WSN	E-PC 1100A / E-WSN

Screw connection technology 1

Feed-through and ground terminal blocks



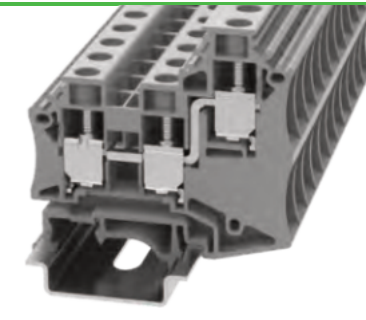
DC10-300A(H)
(Cross & Slotted screw)

UL CE ENEC RoHS REACH

Order NO.	11020000182			
Width/Length/Height(NS35/7.5&NS35/15)	mm	10.2/42.5/47.25(54.75)		
Electrical Data		IEC IEC60947-7-1	UL UL1059	
Rated voltage	V	800	600	
Rated current	A	57	30	
Rated cross section	mm ² /AWG	0.5-10	20-6	
Connection capacity		Solid	Stranded	Ferrule (with and without plastic sleeve)
1 conductor	mm ²	0.5-10	0.5-10	0.5-10
2 flexible conductors with a TWIN ferrule	mm ²	—	—	0.5-4
General Information				
Insulation material/Flammability rating (according to UL 94)		PA/V0		
Operation temperatures	°C (°F)	-40(-40)~105(221)		
Stripping length	mm	10-12		
Color		Grey, Red, Blue (please contact sales for other color requirements)		
Screw/Rated torque	-/N.m(lb.in)(kgf.cm)	M4/1.2(10.5)(12.24)		
Accessories				
Ferrule		/		
Cross & Slotted Screwdriver specification (Thickness x Width)	mm	1x4		
Screw		Cross & Slotted screw		
Bridge (2-10P)		EB2-10 / EB3-10 / EB10-10		
End cover		D-PC2.5		
Partition plate		/		
Marker		ZB10		
Marker support		/		
Terminal strip marker support		DLM2 / KLM3-20x8 / KLM3-44x8		
End clamp		E-PC 1100A / E-WSN		

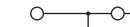
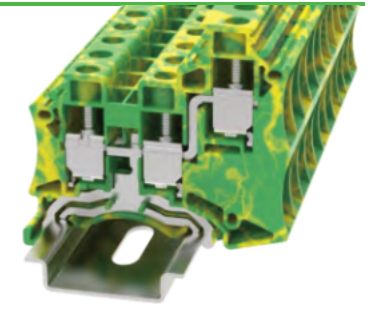
Screw connection technology 1

Feed-through and ground terminal blocks



DC10-TW

UL CE ENEC RoHS REACH



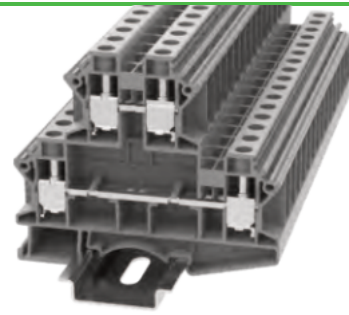
DC10-TW-PE

UL CE ENEC RoHS REACH


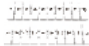


Order NO.	11020000206				11020000207			
Width/Length/Height(NS35/7.5&NS35/15)	mm	10.2/58.7/55.5(63)			10.2/58.7/55.5(63)			
Electrical Data		IEC IEC60947-7-1	UL UL1059		IEC IEC60947-7-2	UL UL1059		
Rated voltage	V	1000	600		/	/		
Rated current	A	57	65		/	/		
Rated cross section	mm ² /AWG	1.5-16	16-6		1.5-16	16-6		
Connection capacity		Solid	Stranded	Ferrule (with and without plastic sleeve)	Solid	Stranded	Ferrule (with and without plastic sleeve)	
1 conductor	mm ²	0.5-16	0.5-10	0.5-10	0.5-10	0.5-10	0.5-10	0.5-10
2 flexible conductors with a TWIN ferrule	mm ²	—	—	0.5-4	—	—	0.5-4	
General Information								
Insulation material/Flammability rating (according to UL 94)		PA/V0			PA/V0			
Operation temperatures	°C (°F)	-40(-40)~105(221)			-40(-40)~105(221)			
Stripping length	mm	11-12			11-12			
Color		Grey, Red, Blue (please contact sales for other color requirements)			Yellow green mixed color			
Screw/Rated torque	-/N.m(lb.in)(kgf.cm)	M4/1.54(14.0)(15.71)			M4/1.54(14.0)(15.71)			
Accessories								
Ferrule		/			/			
Cross & Slotted Screwdriver specification (Thickness x Width)	mm	1x4			1x4			
Screw		Cross & Slotted screw			Cross & Slotted screw			
Bridge (2-10P)		DFA10			DFA10			
End cover		D-DC10-TW			D-DC10-TW			
Partition plate		/			/			
Marker		ZB10			ZB10			
Marker support		/			/			
Terminal strip marker support		DLM2 / KLM3-20x8 / KLM3-44x8			DLM2 / KLM3-20x8 / KLM3-44x8			
End clamp		E-PC 1100A / E-WSN			E-PC 1100A / E-WSN			

Screw connection technology 1

Feed-through and ground terminal blocks

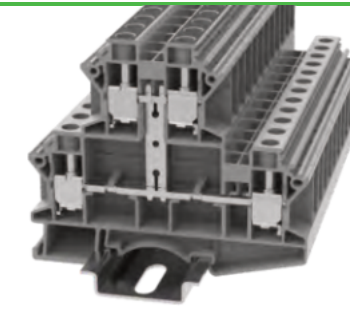

DCKKB10

CE ENEC RoHS REACH


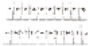


Order NO.	11020000183			
Width/Length/Height(NS35/7.5&NS35/15) mm	10/83.9/72.5(80)			
Electrical Data	IEC IEC60947-7-1	UL UL1059		
Rated voltage V	500	300		
Rated current A	57	65		
Rated cross section mm ² /AWG	0.5-10	20-6		
Connection capacity	Solid	Stranded	Ferrule (with and without plastic sleeve)	
1 conductor mm ²	0.5-10	0.5-10	0.5-10	0.5-10
2 flexible conductors with a TWIN ferrule mm ²	—	—	—	0.5-4
General Information				
Insulation material/Flammability rating (according to UL 94)	PA/V0			
Operation temperatures °C (°F)	-40(-40)~105(221)			
Stripping length mm	10-11			
Color	Grey, Red, Blue (please contact sales for other color requirements)			
Screw/Rated torque -N.m(lb.in)(kgf.cm)	M4/1.54(14)(15.71)			
Accessories				
Ferrule	/			
Slotted screwdriver size (Blade thickness x Width) mm	1x4			
Screw	Slotted screw			
Bridge (2-10P) 	DFA10			
End cover	/			
Partition plate	/			
Marker 	ZB10			
Marker support	/			
Terminal strip marker support 	DLM2 / KLM3-20x8 / KLM3-44x8			
End clamp 	E-PC 1100A / E-WSN			

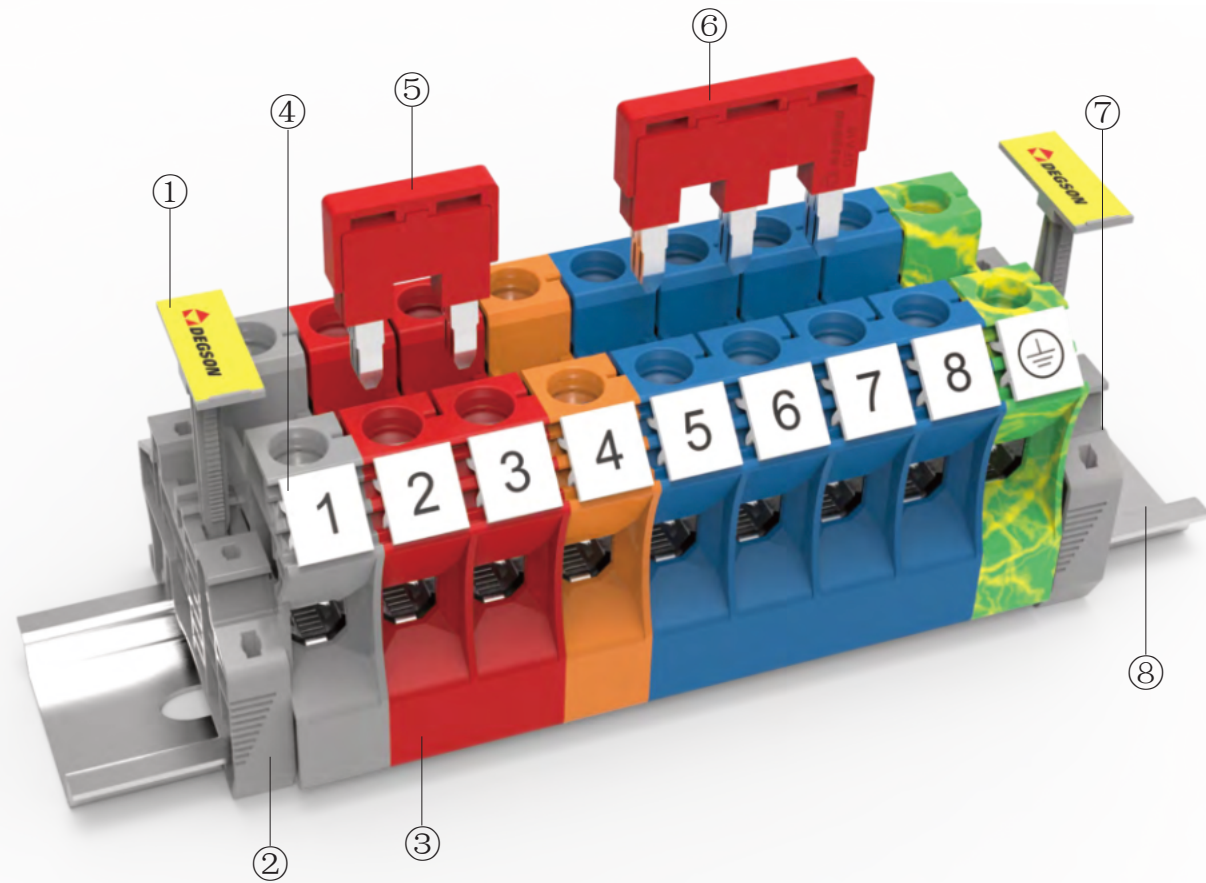
Screw connection technology 1

Feed-through and ground terminal blocks


DCKKB10-PV

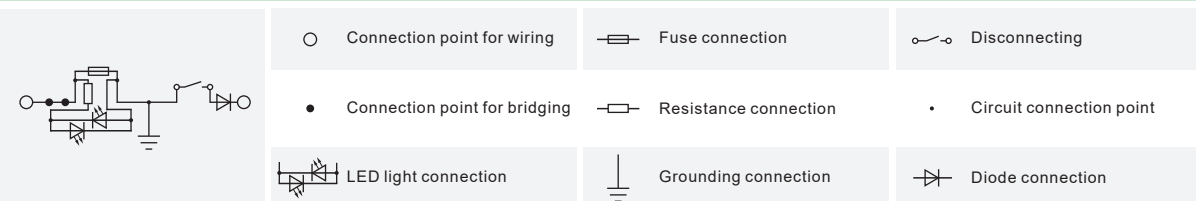
CE ENEC RoHS REACH

Order NO.	11020000184			
Width/Length/Height(NS35/7.5&NS35/15) mm	10/83.9/72.5(80)			
Electrical Data	IEC IEC60947-7-1	UL UL1059		
Rated voltage V	500	300		
Rated current A	57	65		
Rated cross section mm ² /AWG	0.5-10	20-6		
Connection capacity	Solid	Stranded	Ferrule (with and without plastic sleeve)	
1 conductor mm ²	0.5-10	0.5-10	0.5-10	0.5-10
2 flexible conductors with a TWIN ferrule mm ²	—	—	—	0.5-4
General Information				
Insulation material/Flammability rating (according to UL 94)	PA/V0			
Operation temperatures °C (°F)	-40(-40)~105(221)			
Stripping length mm	10-11			
Color	Grey, Red, Blue (please contact sales for other color requirements)			
Screw/Rated torque -N.m(lb.in)(kgf.cm)	M4/1.54(14)(15.71)			
Accessories				
Ferrule	/			
Slotted screwdriver size (Blade thickness x Width) mm	1x4			
Screw	Slotted screw			
Bridge (2-10P) 	DFA10			
End cover	/			
Partition plate	/			
Marker 	ZB10			
Marker support	/			
Terminal strip marker support 	DLM2 / KLM3-20x8 / KLM3-44x8			
End clamp 	E-PC 1100A / E-WSN			



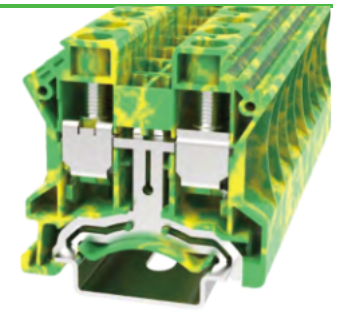
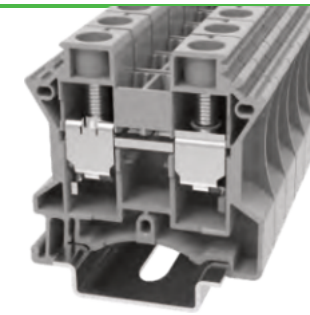
Description	Part No.	Remark
① Marker carrier	KLM3-20x8-11-00A(H)	Suitable for E-PC-1100A(H) & E-WS N
② End clamp	E-WS N-01P-11-00A(H)	Fixing products on NS35 DIN rail
③ Terminal blocks	DC16-01P-11-00A(H)	Steel cage locking type 16mm ² DIN Rail terminal blocks
④ Marker	ZT12-10P-19-00A(H)	Marker is used for the side of DC16 series
⑤ Plug-in bridge	DFA16-02P-11-00A(H)	02P bridge, use for DC16
⑥ Plug-in bridge	DFA16-03P-11-00A(H)	03P bridge, use for DC16
⑦ End clamp	E-WS N-01P-11-00A(H)	Fixing products on NS35 DIN rail
⑧ DIN rail	NS35/7.5-0150-00A(H)	NS35 DIN rail

Circuit diagram



Screw connection technology 1

Feed-through and ground terminal blocks



DC16



DC16-PE

UL CE ENE RoHS REACH

CE ENE RoHS REACH

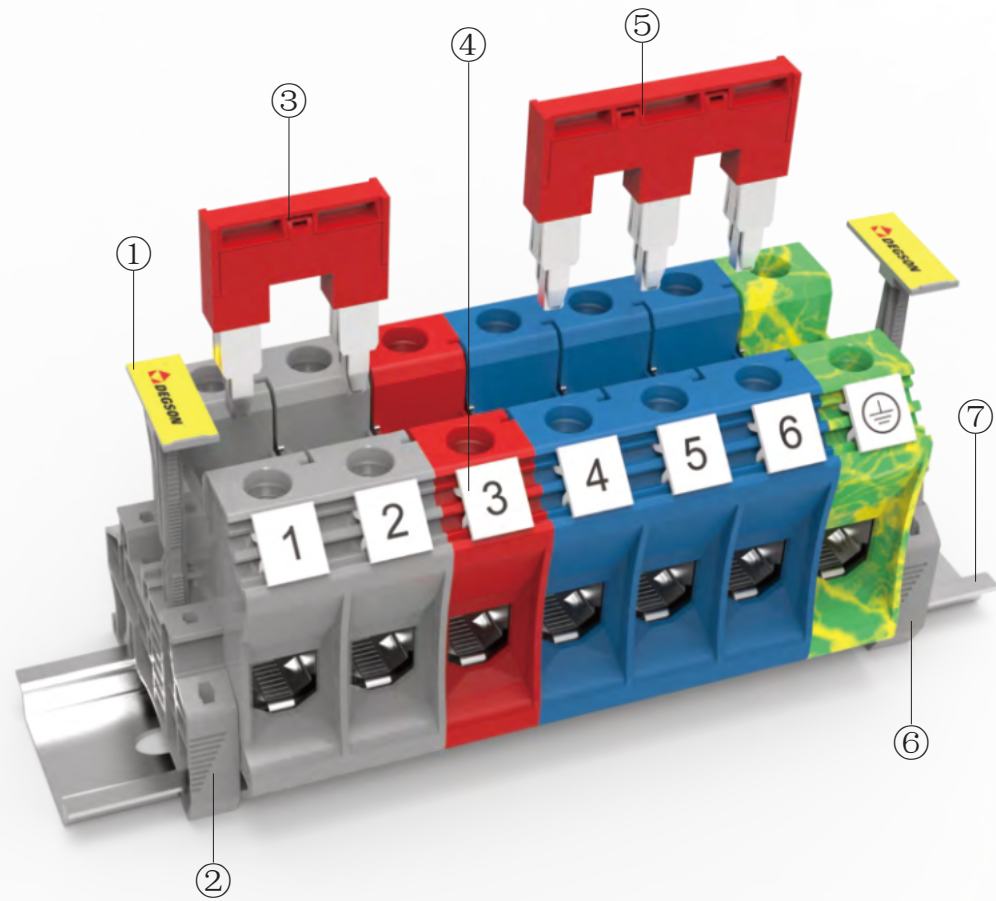
Order NO.	11020000012				11020000017			
Width/Length/Height(NS35/7.5&NS35/15) mm	12/49/50.9(58.4)				12/49/50.9(58.4)			
Electrical Data	IEC IEC60947-7-1		UL UL1059		IEC IEC60947-7-2		UL UL1059	
Rated voltage V	1000		600		/		/	
Rated current A	76		100		/		/	
Rated cross section mm ² /AWG	1.5-25		14-3		1.5-25		14-3	
Connection capacity	Solid	Stranded	Ferrule (with and without plastic sleeve)		Solid	Stranded	Ferrule (with and without plastic sleeve)	
1 conductor mm ²	1.5-25	1.5-25	1.5-16	1.5-16	1.5-25	1.5-25	1.5-16	1.5-16
2 flexible conductors with a TWIN ferrule mm ²	-	-	-	0.75-6	-	-	-	0.75-6

General Information

Insulation material/Flammability rating (according to UL 94)	PA/V0				PA/V0			
Operation temperatures °C (°F)	-40(-40)~105(221)				-40(-40)~105(221)			
Stripping length mm	12				12			
Color	Grey, Red, Blue (please contact sales for other color requirements)				Yellow green mixed color			
Screw/Rated torque -/N.m(lb.in)(kgf.cm)	M5/2.5(27)(25)				M5/2.5(27)(25)			

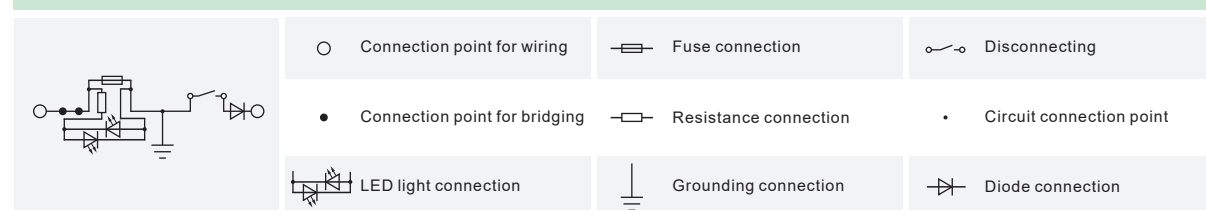
Accessories

Ferrule	/				/			
Slotted screwdriver size (Blade thickness x Width) mm	1x6.5				1x6.5			
Screw	Slotted screw				Slotted screw			
Plug-in bridge (2-3P)	DFA16				/			
End cover	D-DC16				D-DC16			
Partition plate	/				/			
Marker	ZT12				ZT12			
Marker support	/				/			
Terminal strip marker support	DLM2 / KLM3-20x8 / KLM3-44x8				DLM2 / KLM3-20x8 / KLM3-44x8			
End clamp	E-PC 1100A / E-WSN				E-PC 1100A / E-WSN			



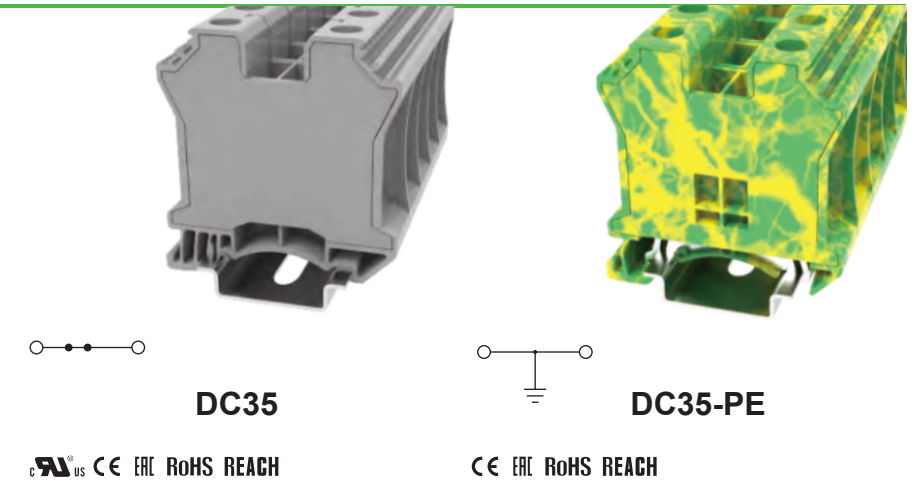
Description	Part No.	Remark
① Marker carrier	KLM3-20x8-11-00A(H)	Suitable for E-PC-1100A(H) & E-WS N
② End clamp	E-WS N-01P-11-00A(H)	Fixing products on NS35 DIN rail
③ Plug-in bridge	DFA35-02P-11-00A(H)	02P bridge, use for DC35
④ Marker	ZT12-10P-19-00A(H)	Marker is used for the side of DC35 series
⑤ Plug-in bridge	DFA35-03P-11-00A(H)	03P bridge, use for DC35
⑥ End clamp	E-WS N-01P-11-00A(H)	Fixing products on NS35 DIN rail
⑦ DIN rail	NS35/7.5-0150-00A(H)	NS35 DIN rail

Circuit diagram



Screw connection technology 1

Feed-through and ground terminal blocks



Order NO.	1102000029				1102000034			
Width/Length/Height(NS35/7.5&NS35/15)	mm 16/55.4/61.3(68.8)				mm 16/55.4/61.3(68.8)			
Electrical Data	IEC IEC60947-7-1		UL UL1059		IEC IEC60947-7-2		UL UL1059	
Rated voltage	V 1000		600		/		/	
Rated current	A 125		150		/		/	
Rated cross section	mm ² /AWG 1.5-50		14-1/0		1.5-50		14-1/0	
Connection capacity	Solid	Stranded	Ferrule (with and without plastic sleeve)		Solid	Stranded	Ferrule (with and without plastic sleeve)	
1 conductor	mm ² 2.5-50	2.5-50	1.5-35	1.5-35	2.5-50	2.5-50	1.5-35	1.5-35
2 flexible conductors with a TWIN ferrule	mm ² -	-	-	1.5-10	-	-	-	1.5-10
General Information								
Insulation material/Flammability rating (according to UL 94)	PA/V0				PA/V0			
Operation temperatures	°C (°F) -40(-40)~105(221)				-40(-40)~105(221)			
Stripping length	mm 14-16				14-16			
Color	Grey, Red, Blue (please contact sales for other color requirements)				Yellow green mixed color			
Screw/Rated torque	-/N.m(lb.in)(kgf.cm) M6/3.5(31)(35)				M6/3.5(31)(35)			
Accessories								
Ferrule	/				/			
Slotted screwdriver size (Blade thickness x Width)	mm 1x6.5				1x6.5			
Screw	Slotted screw				Slotted screw			
Plug-in bridge (2-3P)	DFA35				/			
End cover	/				/			
Partition plate	/				/			
Marker	ZT12				ZT12			
Marker support	/				/			
Terminal strip marker support	DLM2 / KLM3-20x8 / KLM3-44x8				DLM2 / KLM3-20x8 / KLM3-44x8			
End clamp	E-PC 1100A / E-WS N				E-PC 1100A / E-WS N			

Screw connection technology 1

Feed-through and ground terminal blocks


DC50

DC50-PE

CE ENE RoHS REACH

CE ENE RoHS REACH

Order NO.	11020000216				11020000218			
Width/Length/Height(NS35/7.5&NS35/15)	mm 20/70.45/75.94(83.44)				mm 20/70.45/75.94(83.44)			
Electrical Data	IEC IEC60947-7-1		UL UL1059		IEC IEC60947-7-2		UL UL1059	
Rated voltage	V	1000	600	/	/	/	/	
Rated current	A	150	125	/	/	/	/	
Rated cross section	mm ² /AWG	16-50	6-1/0	16-50	6-1/0	16-50	6-1/0	
Connection capacity		Solid	Stranded	Ferrule (with and without plastic sleeve)	Solid	Stranded	Ferrule (with and without plastic sleeve)	
1 conductor	mm ²	16-50	16-50	16-50	16-50	16-50	16-50	
2 flexible conductors with a TWIN ferrule	mm ²	—	—	10-16	—	—	10-16	
General Information								
Insulation material/Flammability rating (according to UL 94)	PA/V0				PA/V0			
Operation temperatures	°C (°F)	-40(-40)~105(221)			-40(-40)~105(221)			
Stripping length	mm	22-23			22-23			
Color		Grey, Red, Blue (please contact sales for other color requirements)			Yellow and green			
Screw/Rated torque	-/N.m(lb.in)(kgf.cm)	M6/2.5(22.2)(25)			M6/2.5(22.2)(25)			
Accessories								
Ferrule		/			/			
Slotted screwdriver size (Blade thickness x Width)	mm	1.2x8			1.2x8			
Screw		Slotted screw			Slotted screw			
Bridge(2P,3P)		FBI2-20 / FBI3-20			/			
End cover		/			/			
Partition plate		/			/			
Marker		ZT12			ZT12			
Marker support		/			/			
Terminal strip marker support		DLM2 / KLM3-20x8 / KLM3-44x8			DLM2 / KLM3-20x8 / KLM3-44x8			
End clamp		E-PC 1100A / E-WSN			E-PC 1100A / E-WSN			

Screw connection technology 1

Feed-through and ground terminal blocks


DC50-01A(H)
(Hex socket screws)

DC50-PE-01A(H)
(Hex socket screws)

CE ENE RoHS REACH

CE ENE RoHS REACH

Order NO.	11020000233				11020000232			
Width/Length/Height(NS35/7.5&NS35/15)	mm 20/70.45/75.94(83.44)				mm 20/70.45/75.94(83.44)			
Electrical Data	IEC IEC60947-7-1		UL UL1059		IEC IEC60947-7-2		UL UL1059	
Rated voltage	V	1000	600	/	/	/	/	
Rated current	A	150	125	/	/	/	/	
Rated cross section	mm ² /AWG	16-50	6-1/0	16-50	6-1/0	16-50	6-1/0	
Connection capacity		Solid	Stranded	Ferrule (with and without plastic sleeve)	Solid	Stranded	Ferrule (with and without plastic sleeve)	
1 conductor	mm ²	16-50	16-50	16-50	16-50	16-50	16-50	
2 flexible conductors with a TWIN ferrule	mm ²	—	—	10-16	—	—	10-16	
General Information								
Insulation material/Flammability rating (according to UL 94)	PA/V0				PA/V0			
Operation temperatures	°C (°F)	-40(-40)~105(221)			-40(-40)~105(221)			
Stripping length	mm	22-23			22-23			
Color		Grey, Red, Blue (please contact sales for other color requirements)			Yellow and green			
Screw/Rated torque	-/N.m(lb.in)(kgf.cm)	M6/2.5(22.2)(25)			M6/2.5(22.2)(25)			
Accessories								
Ferrule		/			/			
Screw(Allen key)		1.2x8			1.2x8			
Screw		Hex socket screws			Hex socket screws			
Bridge(2P,3P)		FBI2-20 / FBI3-20			/			
End cover		/			/			
Partition plate		/			/			
Marker		ZT12			ZT12			
Marker support		/			/			
Terminal strip marker support		DLM2 / KLM3-20x8 / KLM3-44x8			DLM2 / KLM3-20x8 / KLM3-44x8			
End clamp		E-PC 1100A / E-WSN			E-PC 1100A / E-WSN			

Screw connection technology 1

Feed-through and ground terminal blocks



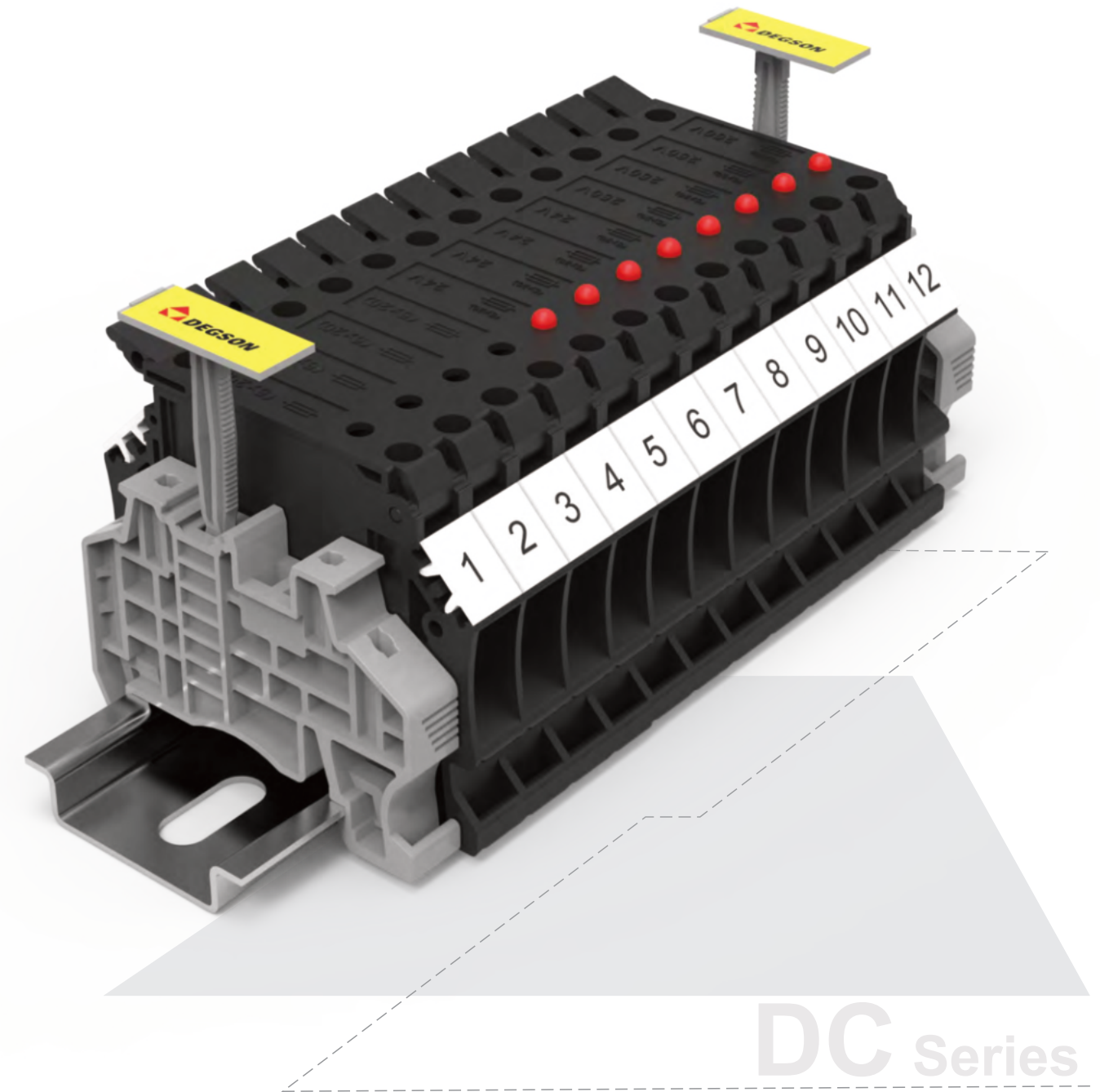
DC95

CE ENEC RoHS REACH

Order NO.	11020000213			
Width/Length/Height(NS35/7.5&NS35/15)	mm	25/83/90.04(97.54)		
Electrical Data		IEC IEC60947-7-1	UL UL1059	
Rated voltage	V	1000	600	
Rated current	A	232	230	
Rated cross section	mm ² /AWG	25-95	2-4/0	
Connection capacity		Solid	Stranded	Ferrule (with and without plastic sleeve)
1 conductor	mm ²	25-95	25-95	25-95
2 flexible conductors with a TWIN ferrule	mm ²	—	—	25-35
General Information				
Insulation material/Flammability rating (according to UL 94)		PA/V0		
Operation temperatures	°C (°F)	-40(-40)~105(221)		
Stripping length	mm	33-35		
Color		Grey, Red, Blue (please contact sales for other color requirements)		
Screw/Rated torque	-/N.m(lb.in)(kgf.cm)	M8/25(221.5)(250)		
Accessories				
Ferrule		/		
Screw(Allen key)		/		
Screw		Hex socket screws		
Bridge (2-10P)		/		
End cover		/		
Partition plate		/		
Marker		ZT12		
Marker support		/		
Terminal strip marker support		DLM2 / KLM3-20x8 / KLM3-44x8		
End clamp		E-PC 1100A / E-WSN		

DC Fuse Terminal Blocks

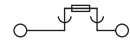
- DC Fuse type terminal blocks, with screw connection technology, high-quality steel screw and cage ensure the stable & reliable connection
- Snap-on fuse box for easy fuse replacement
- Equipped with LED indicator for quick identification of fusing status
- Compatible with the marking system to clearly identify the working area



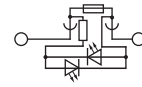
DC Series

Screw connection technology 1

Fuse terminal blocks(5X20)


DC4-HE

CE ENEC RoHS REACH

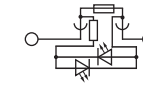

DC4-HE-LD24

CE ENEC RoHS REACH

Order NO.	11020000045				11020000120			
Width/Length/Height(NS35/7.5&NS35/15)	mm 8/58/50(57.5)				mm 8/58/50(57.5)			
Electrical Data	IEC IEC60947-7-3		UL UL1059		IEC IEC60947-7-3			
Rated voltage	V	500	600		24 (Led voltage range 12-30V)			
Rated current	A	6.3	6.3		6.3			
Rated cross section	mm ² /AWG	0.5-6	20-10		0.5-6		20-10	
Connection capacity		Solid	Stranded	Ferrule (with and without plastic sleeve)	Solid	Stranded	Ferrule (with and without plastic sleeve)	
1 conductor	mm ²	0.5-6	0.5-4	0.5-4 0.5-4	0.5-6	0.5-4	0.5-4 0.5-4	
2 flexible conductors with a TWIN ferrule	mm ²	—	—	— 0.5-1.5	—	—	— 0.5-1.5	
General Information								
Insulation material/Flammability rating (according to UL 94)	PA/V0				PA/V0			
Operation temperatures	°C (°F)	-40(-40)~105(221)			-40(-40)~105(221)			
Stripping length	mm	9			9			
Color		Black (please contact sales for other color requirements)			Black (please contact sales for other color requirements)			
Screw/Rated torque	-/N.m(lb.in)(kgf.cm)	M3/0.5(4.5)(5.1)			M3/0.5(4.5)(5.1)			
Accessories								
Ferrule		/			/			
Slotted screwdriver size (Blade thickness x Width)	mm	0.6x3.5			0.6x3.5			
Screw		Slotted screw			Slotted screw			
Bridge(2,3,10P)		EBC2-8 / EBC3-8 / EBC410-8			EBC2-8 / EBC3-8 / EBC10-8			
End cover		D-DC4-HE			D-DC4-HE			
Partition plate		/			/			
Marker		ZB8			ZB8			
Marker support		/			/			
Terminal strip marker support		DLM2 / KLM3-20x8 / KLM3-44x8			DLM2 / KLM3-20x8 / KLM3-44x8			
End clamp		E-PC 1100A / E-WSN			E-PC 1100A / E-WSN			

Screw connection technology 1

Fuse terminal blocks(5X20)

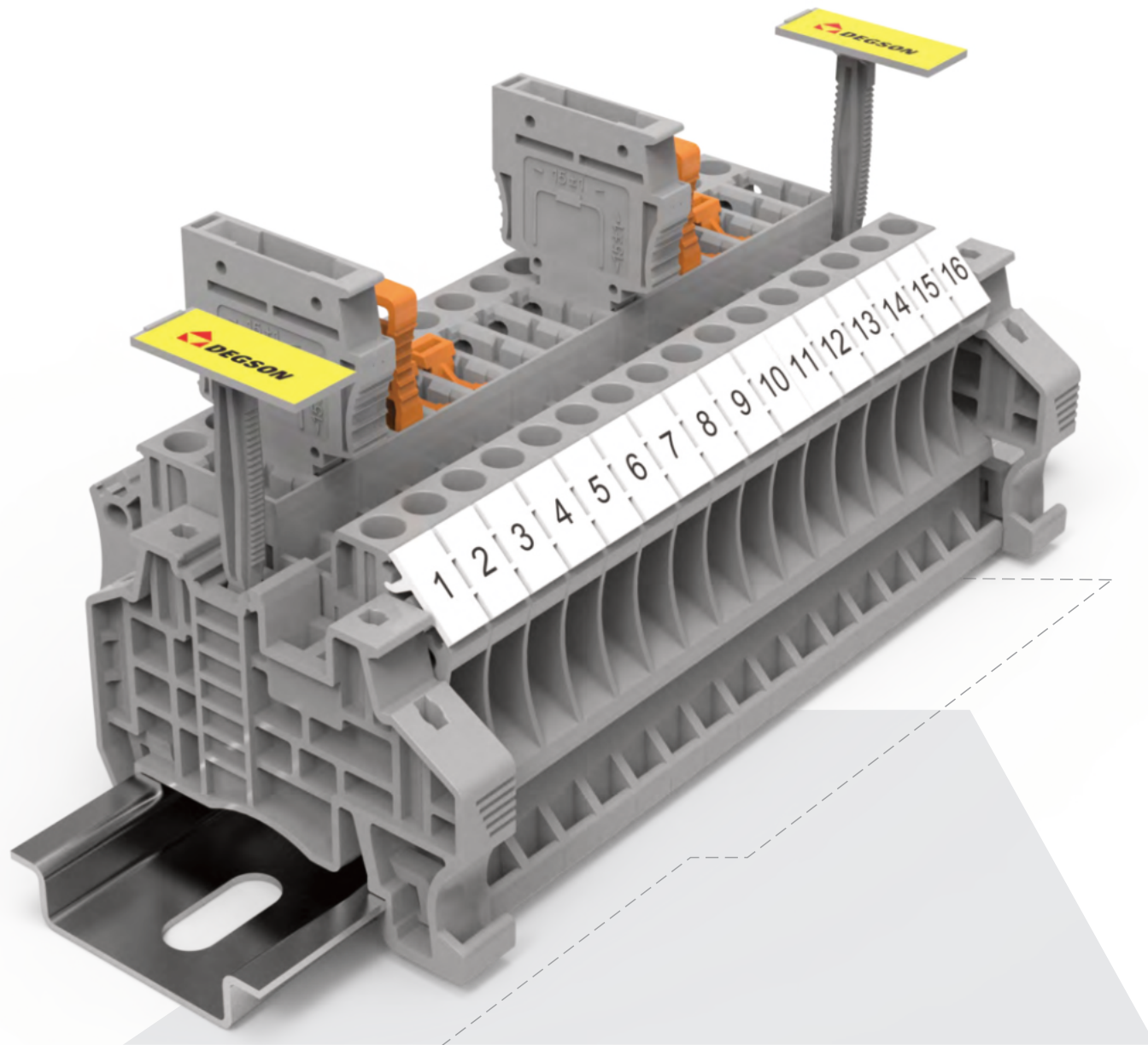

DC4-HE-LD250

CE ENEC RoHS REACH

Order NO.	11020000121			
Width/Length/Height(NS35/7.5&NS35/15)	mm 8/58/50(57.5)			
Electrical Data	IEC IEC60947-7-3			
Rated voltage	V	250 (Led voltage range 110-250V)		
Rated current	A	6.3		
Rated cross section	mm ² /AWG	0.5-6	20-10	
Connection capacity		Solid	Stranded	Ferrule (with and without plastic sleeve)
1 conductor	mm ²	0.5-6	0.5-4	0.5-4 0.5-4
2 flexible conductors with a TWIN ferrule	mm ²	—	—	— 0.5-1.5
General Information				
Insulation material/Flammability rating (according to UL 94)	PA/V0			
Operation temperatures	°C (°F)	-40(-40)~105(221)		
Stripping length	mm	9		
Color		Black (please contact sales for other color requirements)		
Screw/Rated torque	-/N.m(lb.in)(kgf.cm)	M3/0.5(4.5)(5.1)		
Accessories				
Ferrule		/		
Slotted screwdriver size (Blade thickness x Width)	mm	0.6x3.5		
Screw		Slotted screw		
Bridge(2,3,10P)		EBC2-8 / EBC3-8 / EBC10-8		
End cover		D-DC4-HE		
Partition plate		/		
Marker		ZB8		
Marker support		/		
Terminal strip marker support		DLM2 / KLM3-20x8 / KLM3-44x8		
End clamp		E-PC 1100A / E-WSN		

DC Disconnect Terminal Blocks

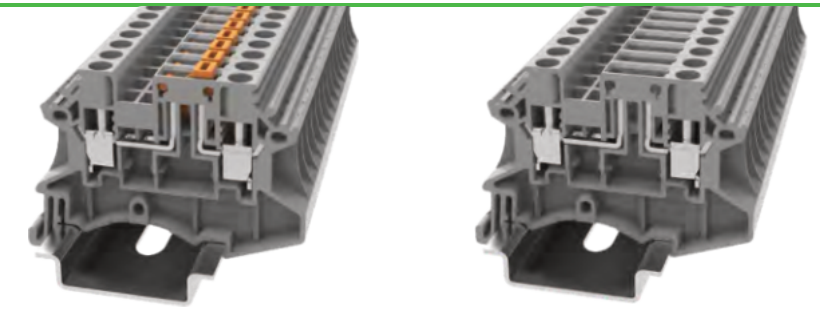
- DC Knife disconnect terminal blocks, with screw connection technology, high-quality steel screw and cage ensure the stable & reliable connection
- The circuit can be disconnected, measured, controlled easily by operate the knife disconnecter
- Snap-on knife disconnecter to prevent accidental disconnection
- Universal breaking area to achieve different functions, can insert breaking plug, component plug, fuse plug



DC Series

Screw connection technology 1

Disconnect terminal blocks



DC4-MT



DC4-TG

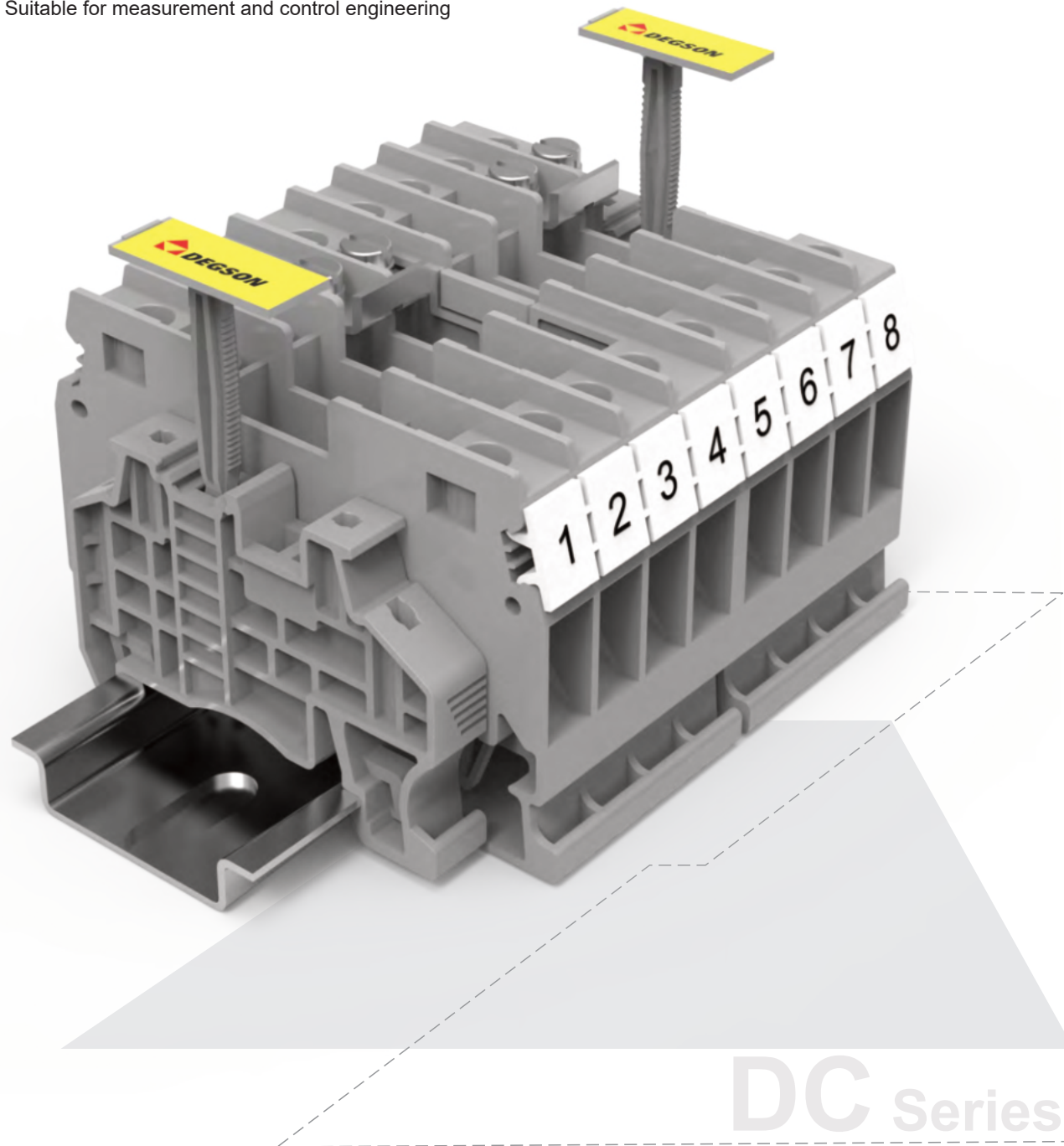
CE ENEC RoHS REACH

CE ENEC RoHS REACH

Order NO.	11020000187				11020000186			
Width/Length/Height(NS35/7.5&NS35/15)	mm				6.1/56.8/41.5(49)			
Electrical Data	IEC IEC60947-7-1		UL UL1059		IEC IEC60947-7-1		UL UL1059	
Rated voltage	V		500		600		500	
Rated current	A		20		16		20	
Rated cross section	mm ² /AWG		0.5-6		26-10		0.5-6	
Connection capacity	Solid	Stranded	Ferrule (with and without plastic sleeve)		Solid	Stranded	Ferrule (with and without plastic sleeve)	
1 conductor	mm ²	0.5-6	0.5-4	0.5-4	0.5-4	0.5-4	0.5-4	0.5-4
2 flexible conductors with a TWIN ferrule	mm ²	—	—	0.5-1.5	—	—	—	0.5-1.5
General Information								
Insulation material/Flammability rating (according to UL 94)	PA/V0				PA/V0			
Operation temperatures	°C (°F)		-40(-40)~105(221)		-40(-40)~105(221)		-40(-40)~105(221)	
Stripping length	mm		8-9		8-9		8-9	
Color	Grey, Red, Blue (please contact sales for other color requirements)				Grey, Red, Blue (please contact sales for other color requirements)			
Screw/Rated torque	-/N.m(lb.in)(kgf.cm)		M3/0.65(6.63)(5.76)		M3/0.65(6.63)(5.76)		M3/0.65(6.63)(5.76)	
Accessories								
Matching accessories			/		DS-DI / DS-CO / DS-FU5 / DS-FU5-LD24			
Slotted screwdriver size (Blade thickness x Width)	mm		0.6x3.5		0.6x3.5			
Screw	Slotted screw				Slotted screw			
Bridge (2-10P)			DFA4		DFA4			
End cover			D-DC4-TG		D-DC4-TG			
Partition plate	/				/			
Marker			ZB6		ZB6			
Marker support	/				/			
Terminal strip marker support			DLM2 / KLM3-20x8 / KLM3-44x8		DLM2 / KLM3-20x8 / KLM3-44x8			
End clamp			E-PC 1100A / E-WSN		E-PC 1100A / E-WSN			

DC Test Disconnect Terminal Block

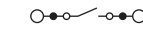
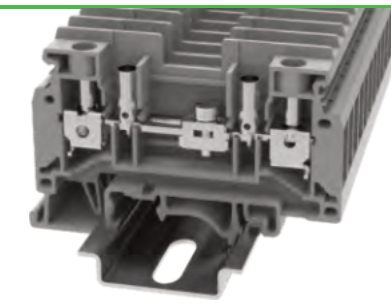
- DC Test disconnect terminal block, with screw connection technology, high-quality steel screw and cage ensure the stable & reliable connection
- The circuit can be disconnected, measured, controlled easily by operate the slide disconnector
- With bushing and bridges, it can be short-circuited and then open-circuited, which is convenient for protecting and measuring the secondary circuit
- Suitable for measurement and control engineering



DC Series






Screw connection technology 1

Test disconnect terminal block



DCTK6-20A(H)

CE ENE RoHS REACH

Order NO.	11020000234			
Width/Length/Height(NS35/7.5&NS35/15)	mm	8/69/46.55(54.05)		
Electrical Data		IEC IEC60947-7-1	UL UL1059	
Rated voltage	V	630	300	
Rated current	A	41	45	
Rated cross section	mm ² /AWG	0.5-6	22-8	
Connection capacity		Solid	Stranded	Ferrule (with and without plastic sleeve)
1 conductor	mm ²	0.5-6	0.5-6	0.5-6 0.5-6
2 flexible conductors with a TWIN ferrule	mm ²	—	—	— 0.5-4
General Information				
Insulation material/Flammability rating (according to UL 94)		PA/V0		
Operation temperatures	°C (°F)	-40(-40)~105(221)		
Stripping length	mm	10-11		
Color		Grey, Red, Blue (please contact sales for other color requirements)		
Screw/Rated torque	-/N.m(lb.in)(kgf.cm)	M4/1.2(10.6)(12.24)		
Accessories				
Ferrule		/		
Slotted screwdriver size (Blade thickness x Width)	mm	1x4		
Screw		Slotted screw		
Bridge (2-10P)			FBRI2-RTK/S	
End cover			D-DCTK6	
Partition plate		/		
Marker			ZB8	
Marker support		/		
Terminal strip marker support			DLM2 / KLM3-20x8 / KLM3-44x8	
End clamp			E-PC 1100A / E-WS N	