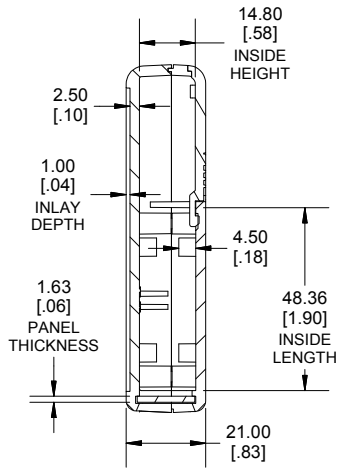
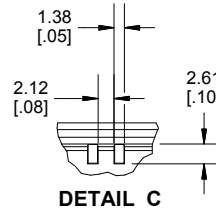


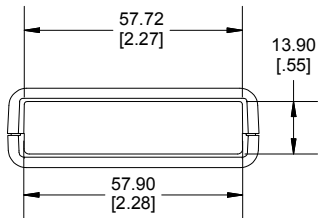
TOP VIEW



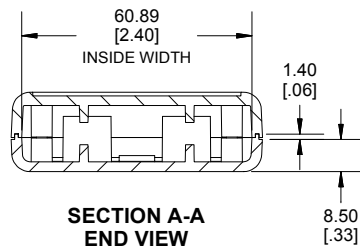
**SECTION B-B
SIDE VIEW**



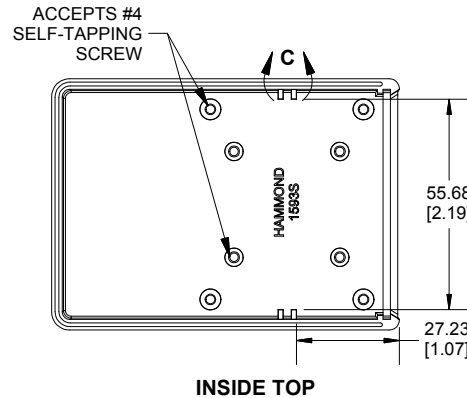
DETAIL C



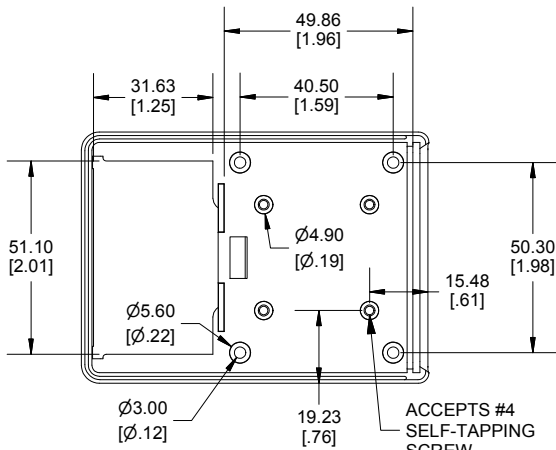
END VIEW



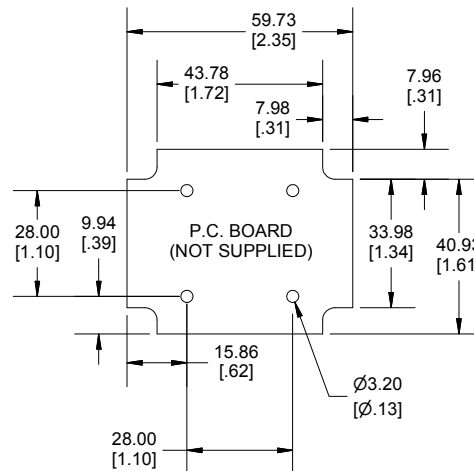
**SECTION A-A
END VIEW**



INSIDE TOP



INSIDE BOTTOM



Dimensions:
mm
[inches]

Enclosures can be Factory Modified (Milling, Drilling, Printing etc.)
Contact Factory (modshop@hammondmfg.com) for quotes
Solid models of this enclosure available in .stp or .x_t
(Part number and text placement/orientation on our products are subject to change,
we do not recommend using them as a locating reference for modification purposes)

NOTE	
Enclosure molded from GP ABS (UL94-HB) plastic.	
Purchased assembly includes top and bottom cover, 1 flat aluminum panel for front, battery door and 4 cover screws.	
Recommended Cover Screw Torque - 57lbf-in (40cN-m)	
1593	
1593S Regular Enclosure	
Black Enclosure	1593SALBK
Grey Enclosure	1593SALGY
Translucent Blue Enclosure	1593SALTBU
ACCESSORIES	
Cover Screws #4 X 5/8" Self-Tapping (100 Pkg)	1593MS100 (Silver) 1593MS100BK (Black)
P.C. Board Screws #4 X 1/4" Self-Tapping	1593ATS50 (Pkg 50)
Nylon Belt Clip	1599CLIP (Black) 1599CLIPGY (Grey)
1593S STD FLAT PANEL Aluminum (Pkg 10)	1593SAL10

