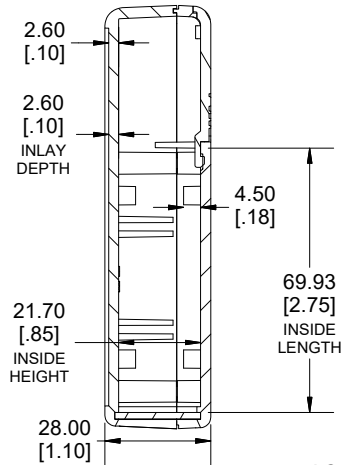
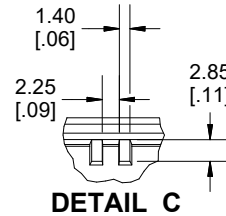


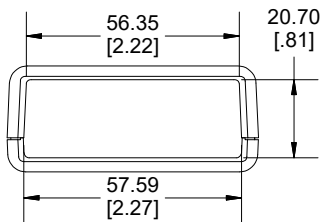
TOP VIEW



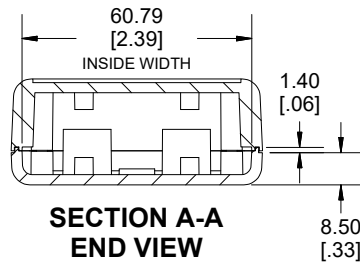
**SECTION B-B
SIDE VIEW**



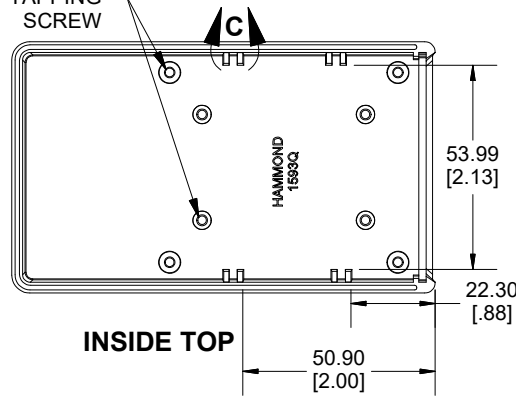
DETAIL C



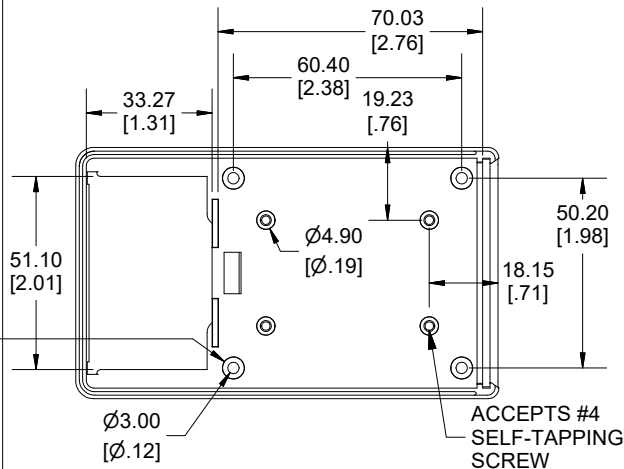
END VIEW



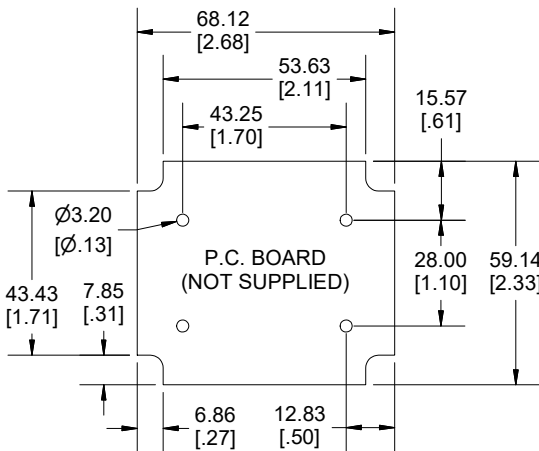
**SECTION A-A
END VIEW**



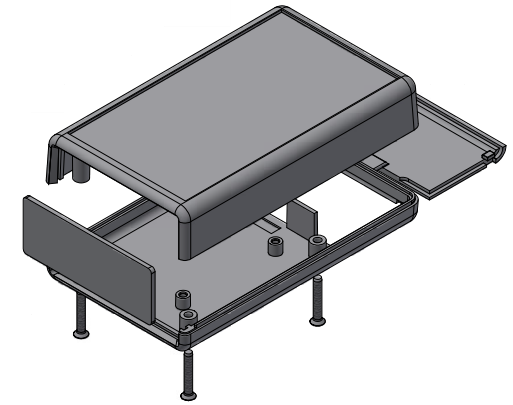
INSIDE TOP



INSIDE BOTTOM



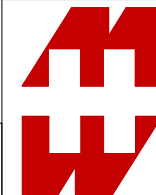
**P.C. BOARD
(NOT SUPPLIED)**



Enclosures can be Factory Modified (Milling, Drilling, Printing etc.)
 Contact Factory (modshop@hammfg.com) for quotes
 Solid models of this enclosure available in .stp or .x_t
 (Part number and text placement/orientation on our products are subject to change,
 we do not recommend using them as a locating reference for modification purposes)

NOTE		
Enclosure molded from GP ABS (UL94-HB) plastic. Purchased assembly includes top and bottom cover, 1 plastic flat panel for front, battery door and 4 cover screws.		
Recommended Torque: Cover screws - 40 cN-m [57 ozf-in] Internal mounting screws - 20-30 cN-m [29-42 ozf-in]		
1593		
1593Q Regular Enclosure		
Black Enclosure	1593QBK	
Grey Enclosure	1593QGY	
Translucent Blue Enclosure	1593QTBU	
ACCESSORIES		
Cover Screws #4 X 3/4" Self-Tapping (100 Pkg)	1593QS100 (Silver) 1593QS100BK (Black)	
P.C. Board Screws #4 X 1/4" Self-Tapping	1593ATS50 (Pkg 50) 1593ATS100 (Pkg 100)	
Nylon Belt Clip	1599CLIP (Black) 1599CLIPGY (Grey)	
1-AAA Battery Holder (Single)	BH1AAAW	
2-AAA Battery Holder (Single)	BH2AAAW	
2-AA Battery Holder (Single)	BH2AAW	
1-9V Battery Holder (Single)	BS61	
1593Q STD FLAT PANEL (SINGLE PANEL)	Black	1593PL1BK-10
	Grey	1593PL1GY-10
	Translucent Blue	1593PL1TBU-10
	Infrared	1593PIR10
1593Q STD CONTOURED PANEL (SINGLE PANEL)	Aluminum	1593PAL10
	Black	1593PL2BK-10
	Grey	1593PL2GY-10
	Translucent Blue	1593PL2TBU-10

Dimensions:
mm
[inches]



**HAMMOND
MANUFACTURING®**

1593Q

www.hammondmfg.com