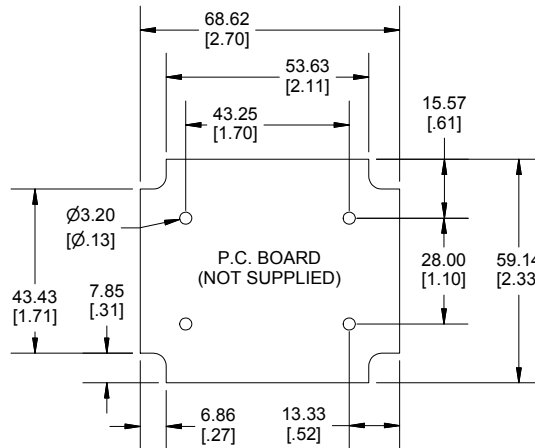
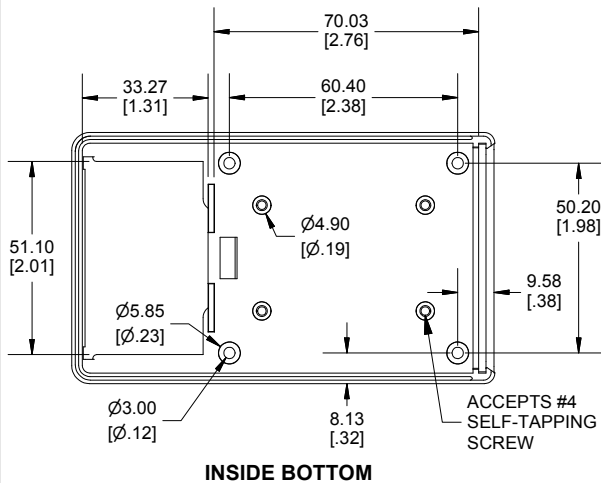


Enclosures can be Factory Modified (Milling, Drilling, Printing etc.)
 Contact Factory (modshop@hammondmfg.com) for quotes
 Solid models of this enclosure available in .stp or .x_t
 (Part number and text placement/orientation on our products are subject to change,
 we do not recommend using them as a locating reference for modification purposes)



NOTE
 Enclosure molded from GP ABS (UL94-HB) plastic.
 Purchased assembly includes top and bottom cover, 1 flat aluminum panel for front,
 battery door and 4 cover screws.

Recommended Cover Screw Torque - 57lbf-in (40cN-m)	
1593	
1593Q Regular Enclosure	
Black Enclosure	1593QALBK
Grey Enclosure	1593QALGY
Translucent Blue Enclosure	1593QALTBU
ACCESSORIES	
Cover Screws #4 X 3/4" Self-Tapping (100 Pkg)	1593QS100 (Silver)
	1593QS100BK (Black)
P.C. Board Screws #4 X 1/4" Self-Tapping	1593ATS50 (Pkg 50)
Nylon Belt Clip	1599CLIP (Black)
	1599CLIPGY (Grey)
1593Q.STD FLAT PANEL Aluminum (Pkg 10)	1593PAL10

Dimensions:
 mm
 [inches]

