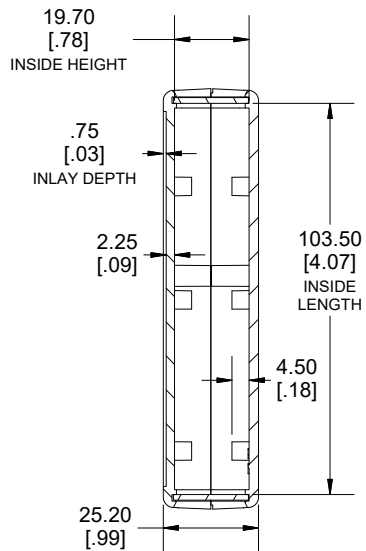
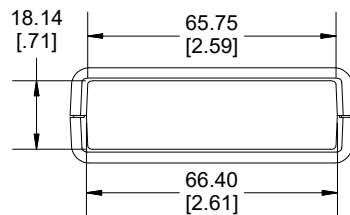


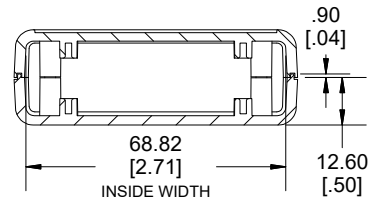
TOP VIEW



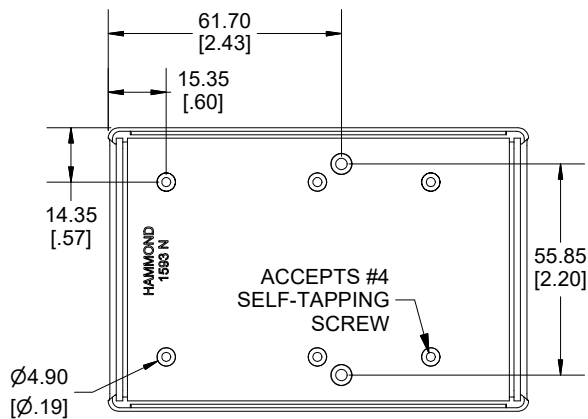
SECTION B-B
SIDE VIEW



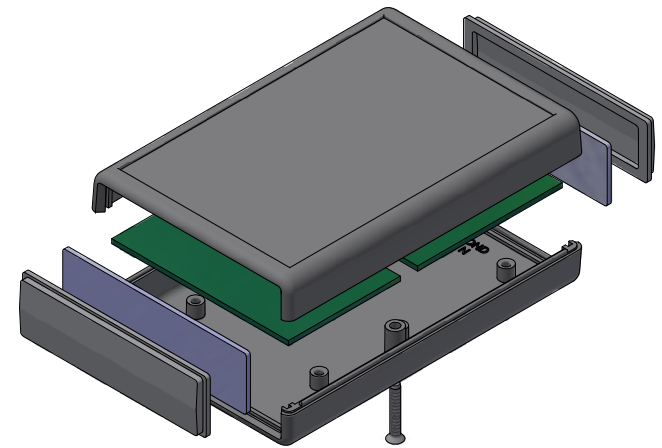
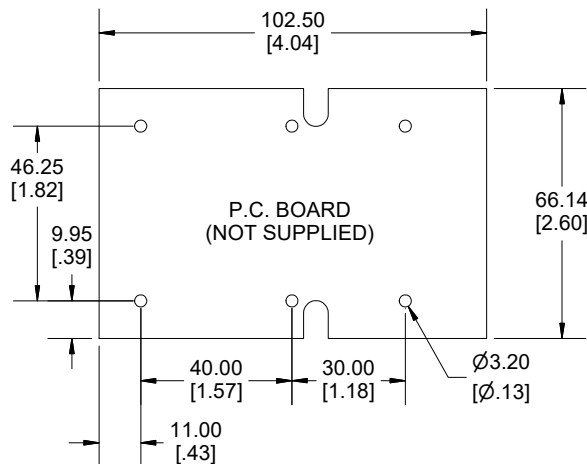
END VIEW



SECTION A-A
END VIEW



INSIDE BOTTOM



Enclosures can be Factory Modified (Milling, Drilling, Printing etc.)
Contact Factory (modshop@hammfg.com) for quotes
Solid models of this enclosure available in .stp or .x_t
(Part number and text placement/orientation on our products are subject to change,
we do not recommend using them as a locating reference for modification purposes)

NOTE	
Enclosure molded from GP ABS (UL94-HB) plastic. Purchased assembly includes top and bottom cover, 4 plastic panels for front and rear (2 types - flat and contoured) and 2 cover screws.	
Recommended Torque: Cover screws - 40 cN-m [57 ozf-in] Internal mounting screws - 20-30 cN-m [29-42 ozf-in]	
1593	
1593N Regular Enclosure	
Black Enclosure	1593NBK
Grey Enclosure	1593NGY
Translucent Blue Enclosure	1593NTBU
ACCESSORIES	
Cover Screws #4 X 3/4" Self-Tapping (100 Pkg)	1593QS100 (Silver)
	1593QS100BK (Black)
P.C. Board Screws #4 X 1/4" Self-Tapping	1593ATS50 (Pkg 50)
	1593ATS100 (Pkg 100)
	1599CLIP (Black)
Nylon Belt Clip	1599CLIPGY (Grey)
1593N STD FLAT PANEL (SINGLE PANEL)	Black 1593NLBK1-10
	Grey 1593NLGY1-10
	Translucent Blue 1593NLTBU1-10
	Infrared 1593NIR10
1593N STD CONTOURED PANEL (SINGLE PANEL)	Aluminum 1593NAL10
	Black 1593NLBK2-10
	Grey 1593NLGY2-10
	Translucent Blue 1593NLTBU2-10

Dimensions:
mm
[inches]



**HAMMOND
MANUFACTURING®**

1593N

www.hammondmfg.com