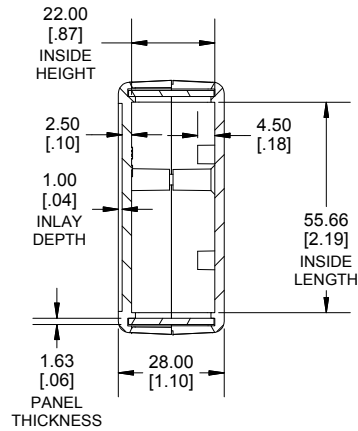
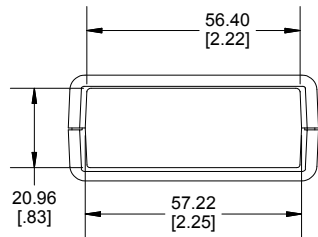


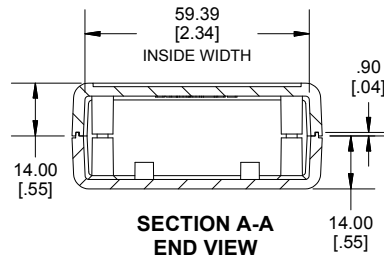
TOP VIEW



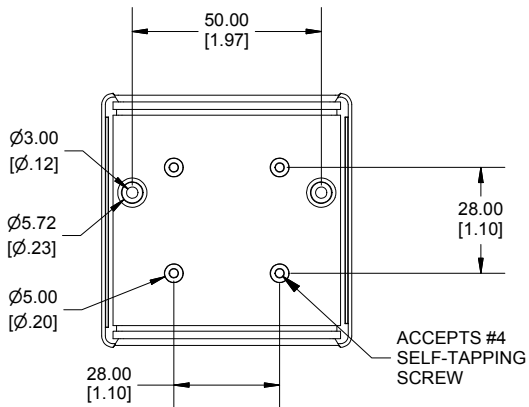
SECTION B-B
SIDE VIEW



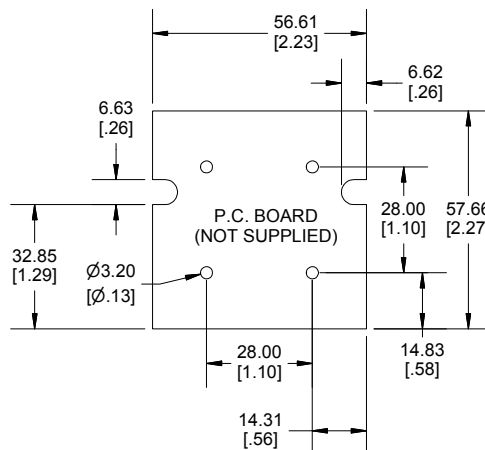
END VIEW



SECTION A-A
END VIEW



INSIDE BOTTOM



Enclosures can be Factory Modified (Milling, Drilling, Printing etc.)
 Contact Factory (modshop@hammondmgf.com) for quotes
 Solid models of this enclosure available in .stp or .x_t
 (Part number and text placement/orientation on our products are subject to change,
 we do not recommend using them as a locating reference for modification purposes)

NOTE	
Enclosure molded from GP ABS (UL94-HB) plastic. Purchased assembly includes top and bottom cover, 2 flat aluminum panels for front and rear and 2 cover screws.	
Recommended Cover Screw Torque - 57lbf-in (40cN-m)	
1593	
1593K Regular Enclosure	
Black Enclosure	1593KALBK
Grey Enclosure	1593KALGY
Translucent Blue Enclosure	1593KALTBU
ACCESSORIES	
Cover Screws #4 X 3/4" Self-Tapping (100 Pkg)	1593QS100 (Silver) 1593QS100BK (Black)
P.C. Board Screws #4 X 1/4" Self-Tapping	1593ATS50 (Pkg 50)
Nylon Belt Clip	1599CLIP (Black) 1599CLIPGY (Grey)
1593K STD FLAT PANEL Aluminum (Pkg 10)	1593PAL10

Dimensions:
mm
[inches]

1593KAL
www.hammondmgf.com