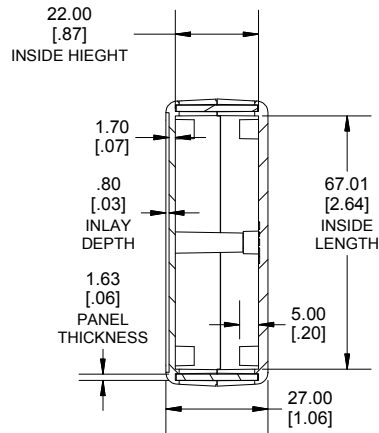
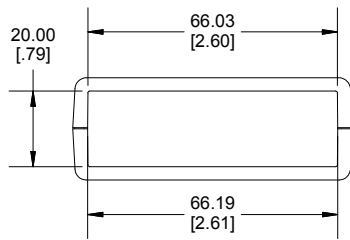


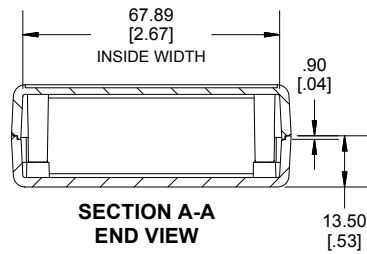
TOP VIEW



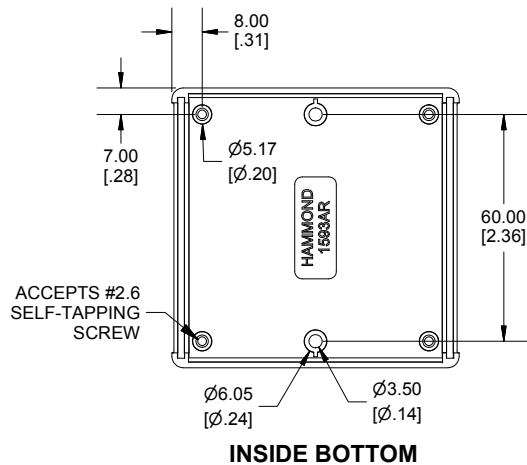
SECTION B-B
SIDE VIEW



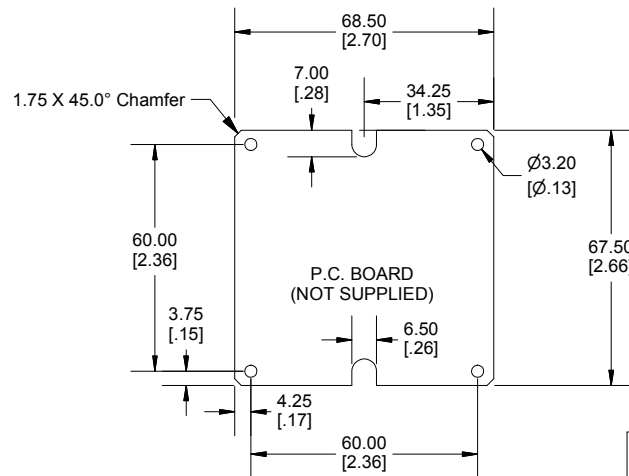
END VIEW



SECTION A-A
END VIEW



INSIDE BOTTOM



Dimensions:
mm
[inches]

Enclosures can be Factory Modified (Milling, Drilling, Printing etc.)
Contact Factory (modshop@hammondmfg.com) for quotes
Solid models of this enclosure available in .stp or .x_t
(Part number and text placement/orientation on our products are subject to change,
we do not recommend using them as a locating reference for modification purposes)

NOTE	
Enclosure molded from GP ABS (UL94-HB) plastic. Purchased assembly includes top and bottom cover, 2 flat aluminum panels for front and rear and 2 cover screws.	
Recommended Cover Screw Torque - 57lbf-in (40cN-m)	
1593	
1593AR Regular Enclosure	
Black Enclosure	1593ARALBK
Grey Enclosure	1593ARALGY
Translucent Blue Enclosure	1593ARALTBU
ACCESSORIES	
Cover Screws #4 X 1/2" Self-Tapping (100 Pkg)	1591TS100 (Silver) 1591TS100BK (Black)
P.C. Board Screws M2.6 X 6mm Self-Tapping	SC519-50 (Pkg 50)
Nylon Belt Clip	1599CLIP (Black) 1599CLIPGY (Grey)
1593AR STD FLAT PANEL Aluminum (Pkg 10)	1593ARAL10

