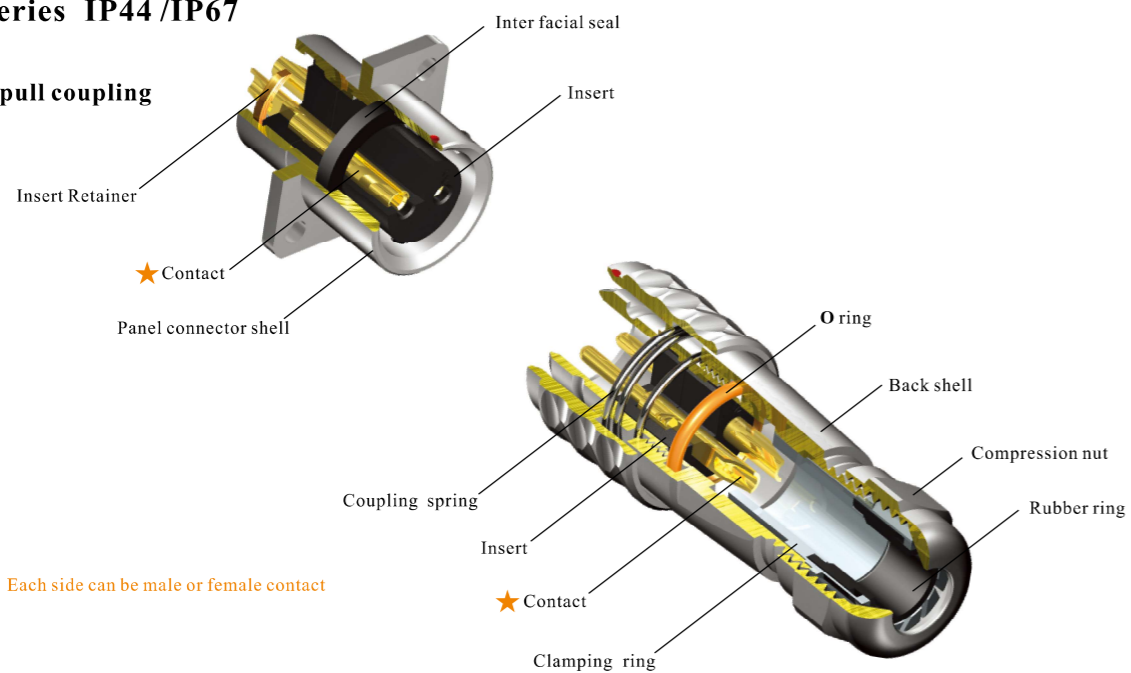


IP67



● SF Series IP44 /IP67

● Push-pull coupling



★ Each side can be male or female contact

Material and spec

Coupling	Push-pull
Shell material	Brass with chrome plating
Insert material	PPS max temperature 260 °C
Contact material	Brass with gold plating
Termination	Solder: SF6, SF8, SF10, SF12, SF16, SF20 Crimp: SF16, SF20 Screw: SF20 (Ø2.5mm contact)
Cable outer diameter range	SF6: 3-4mm SF8: 4-5mm SF10: 4-6.5mm SF12: I: 4-6.5mm, II: 5-8mm SF16 I: 5-8mm, II: 8-12mm SF20 I: 8-12mm
IP rating	SF6, SF8: IP44 / IP67 SF6B, SF8B, SF10, SF12, SF16, SF20: IP67
Mating cycle	500
Temperature range	-40°C ~ +85°C
Insulation resistance	2000MΩ

SF6 Series IP44

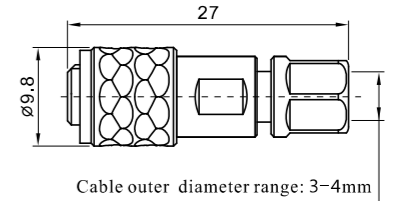
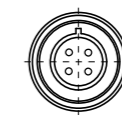


SF610/P

SF610/S

Male contact

Cable connector  
Mate with SF611, SF612, SF615,



Cable outer diameter range: 3-4mm

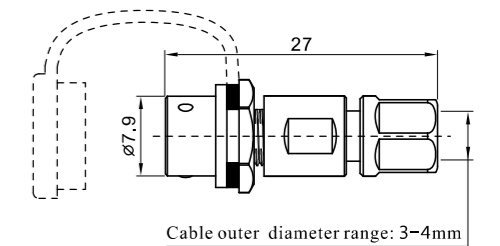
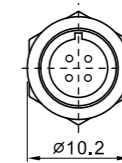
Number of contact  
Female contact



SF611/P

SF611/S

In-line cable connector  
Mate with SF610



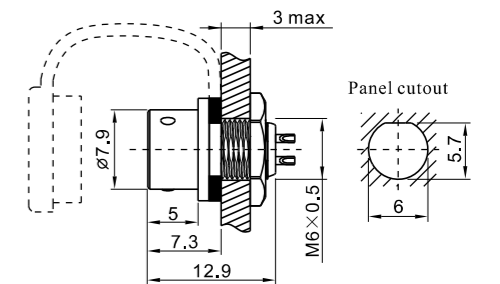
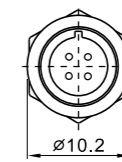
Cable outer diameter range: 3-4mm



SF612/P

SF612/S

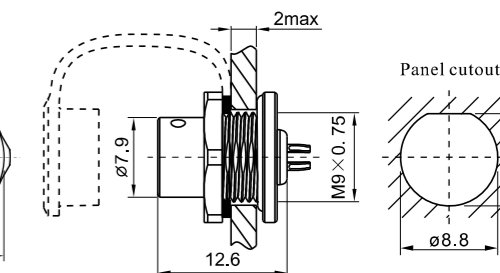
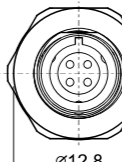
Rear-nut mount  
Mate with SF610



SF615/P

SF615/S

Front-nut mount  
Mate with SF610



Solder contact spec

Number of contact	2	3	4	5
Male contact face view				
Rated current (A)	3	3	3	3
Contact diameter(mm)	Ø0.6×2	Ø0.6×3	Ø0.6×4	Ø0.6×5
Rated voltage (AC.V)	30	30	30	30
Test voltage(AC.V) 1 min	500	500	500	500
Contact resistance(mΩ)	10	10	10	10
Wire size(mm <sup>2</sup> /AWG)	≤0.5/20	≤0.5/20	≤0.5/20	≤0.5/20

SF  
6

SF6B Series IP67

**Cable connector**  
Mate with SF611B, SF612B, SF615B

SF610B/P\_ Male contact  
SF610B/S\_ Number of contact  
Female contact

**In-line cable connector**  
Mate with SF610B

SF611B/P\_ Male contact  
SF611B/S\_ Number of contact  
Female contact

**Rear-nut mount**  
Mate with SF610B

SF612B/P\_ Male contact  
SF612B/S\_ Number of contact  
Female contact

**Front-nut mount**  
Mate with SF610B

SF615B/P\_ Male contact  
SF615B/S\_ Number of contact  
Female contact

**Solder contact spec**

Number of contact	2	3	4	5
Male contact face view				
Rated current (A)	3	3	3	3
Contact diameter(mm)	∅0.6×2	∅0.6×3	∅0.6×4	∅0.6×5
Rated voltage (AC.V)	30	30	30	30
Test voltage(AC.V) 1 min	500	500	500	500
Contact resistance(mΩ)	10	10	10	10
Wire size (mm <sup>2</sup> /AWG)	≤0.5/20	≤0.5/20	≤0.5/20	≤0.5/20

SF  
8

SF8 Series IP44

**Cable connector**  
Mate with SF811, SF812, SF815

SF810/P\_ Male contact  
SF810/S\_ Number of contact  
Female contact

**In-line cable connector**  
Mate with SF810

SF811/P\_ Male contact  
SF811/S\_ Number of contact  
Female contact

**Rear-nut mount**  
Mate with SF810

SF812/P\_ Male contact  
SF812/S\_ Number of contact  
Female contact

**Front-nut mount**  
Mate with SF810

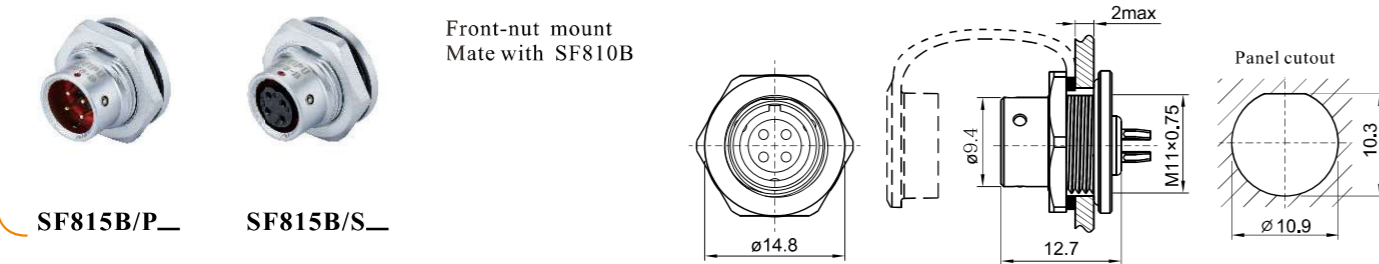
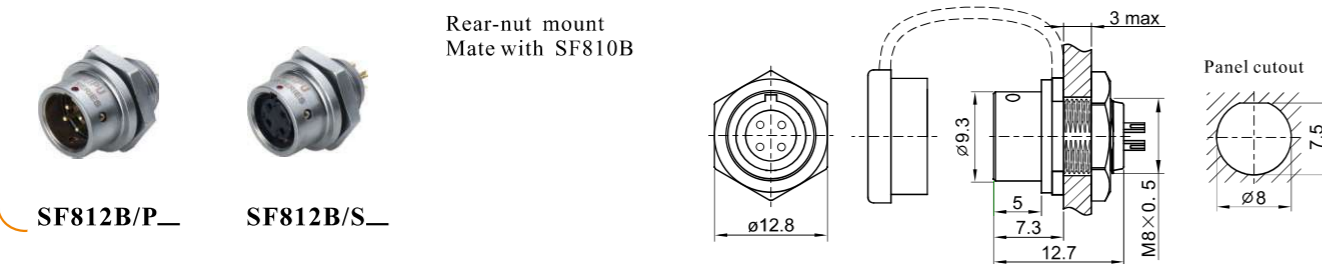
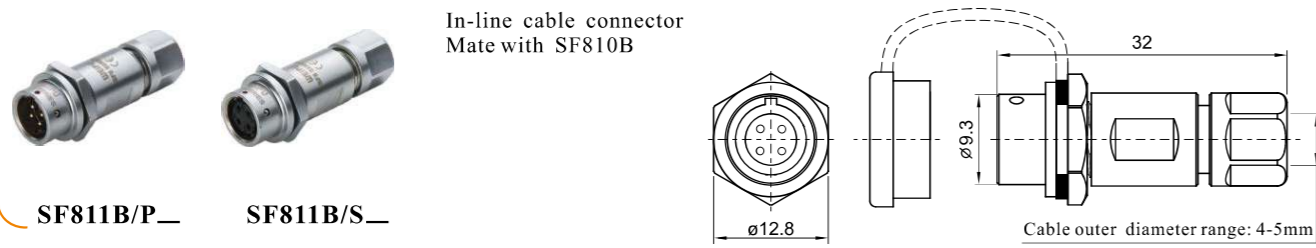
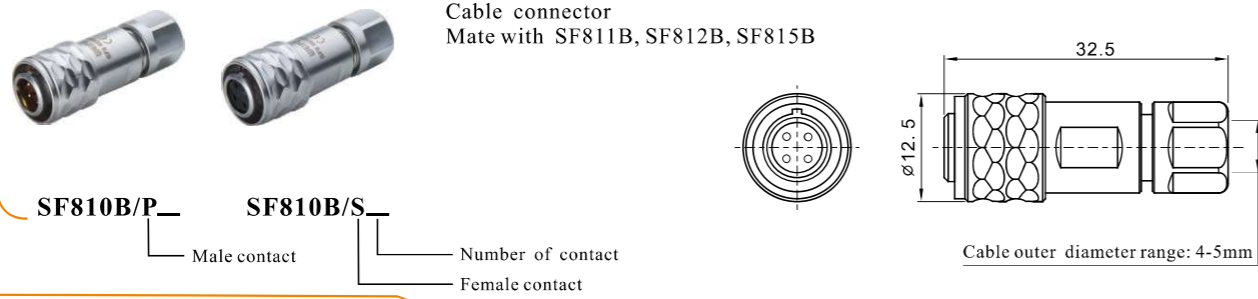
SF815/P\_ Male contact  
SF815/S\_ Number of contact  
Female contact

**Solder contact spec**

Number of contact	2	3	4	6	8
Male contact face view					
Rated current (A)	5	5	3	3	3
Contact diameter(mm)	∅1×2	∅1×3	∅0.6×4	∅0.6×6	∅0.6×8
Rated voltage (AC.V)	125	125	30	30	30
Test voltage(AC.V) 1 min	1000	1000	500	500	500
Contact resistance(mΩ)	5	5	10	10	10
Wire size (mm <sup>2</sup> /AWG)	≤0.75/18	≤0.75/18	≤0.5/20	≤0.5/20	≤0.5/20

### SF8B Series IP67

SF  
8

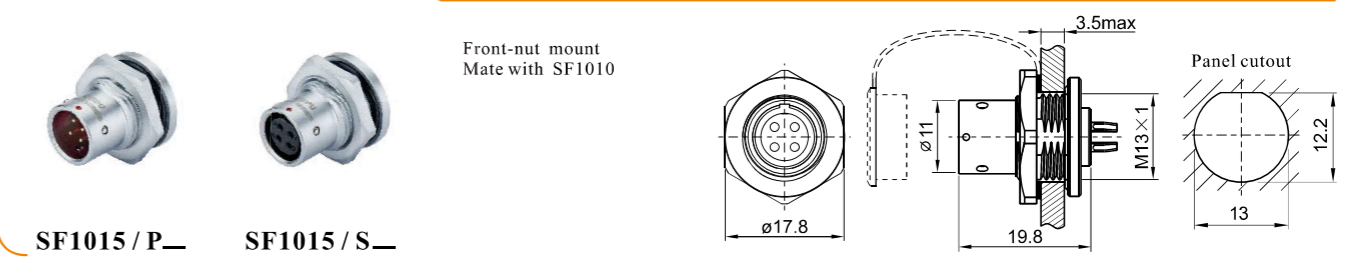
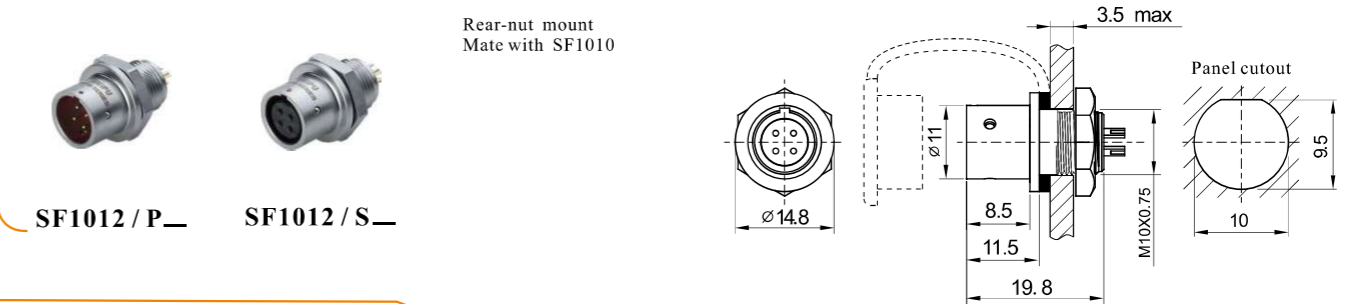
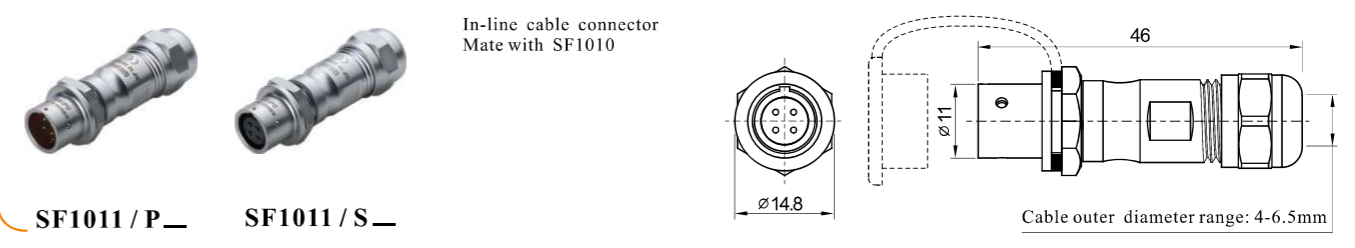
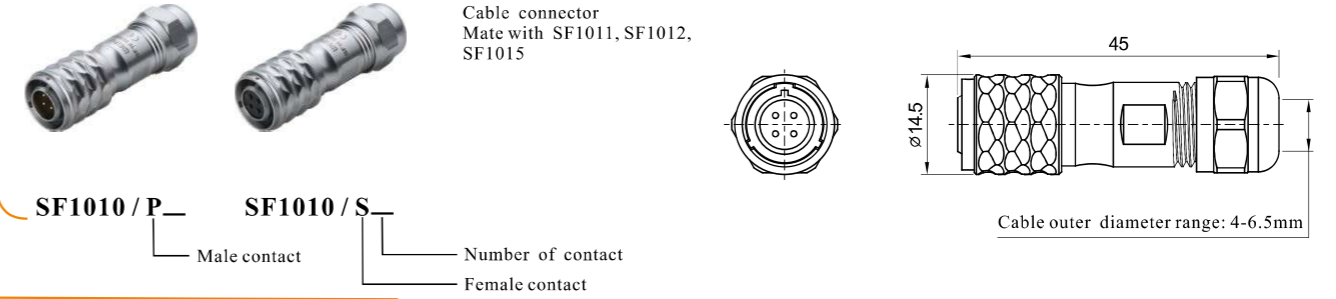


#### Solder contact spec

Number of contact	2	3	4	6	8
Male contact face view					
Rated current (A)	5	5	3	3	3
Contact diameter(mm)	1x2	1x3	0.6x4	0.6x6	0.6x8
Rated voltage (AC.V)	125	125	30	30	30
Test voltage(AC.V) 1 min	1000	1000	500	500	500
Contact resistance(mΩ)	5	5	10	10	10
Wire size(mm <sup>2</sup> /AWG)	≤0.75/18	≤0.75/18	≤0.5/20	≤0.5/20	≤0.5/20

### SF10 Series IP67

SF  
10





#### Solder contact spec

Number of contact	2	3	4	5
Male contact face view				
Rated current (A)	5	5	3	3
Contact diameter(mm)	1x2	1x3	0.7x4	0.7x5
Rated voltage (AC.V)	180	180	125	125
Test voltage(AC.V) 1 min	1000	1000	1000	1000
Contact resistance(mΩ)	5	5	10	10
Wire size(mm <sup>2</sup> /AWG)	≤0.75/18	≤0.75/18	≤0.5/20	≤0.5/20

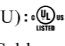


### SF12 Series IP67

Cable connector  
Mate with SF1211, SF1212,  
SF1213, SF1215

SF  
12

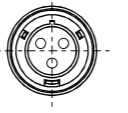
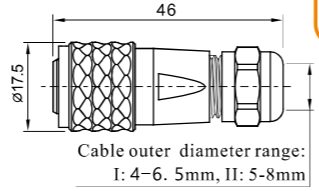
**SF1210 / P** — **SF1210 / S** — (U): 

Male contact

Cable outer diameter  
I: 4-6.5mm, II: 5-8mm



Number of contact

Female contact

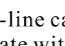



Cable outer diameter range:  
I: 4-6.5mm, II: 5-8mm

---

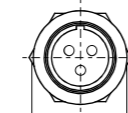
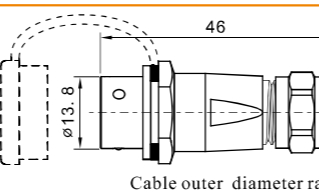



In-line cable connector  
Mate with SF1210, SF1214

**SF1211 / P** — **SF1211 / S** — (U): 



Male contact

Female contact

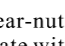



Cable outer diameter range:  
I: 4-6.5mm, II: 5-8mm

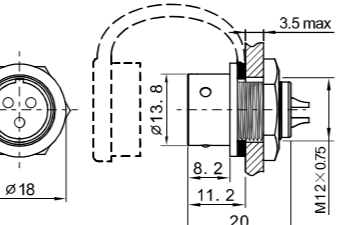
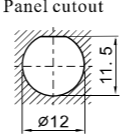
---

Rear-nut mount  
Mate with SF1210,  
SF1214



**SF1212 / P** — **SF1212 / S** — (U): 

Number of contact

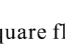



Panel cutout

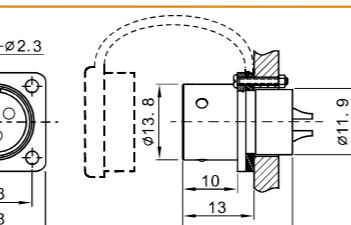
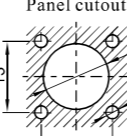
---

Square flange  
Mate with SF1210,  
SF1214



**SF1213 / P** — **SF1213 / S** — (U): 

Number of contact

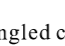



Panel cutout

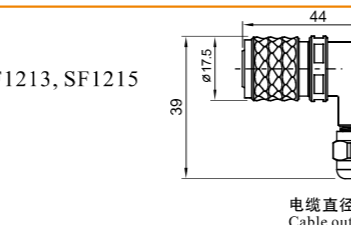
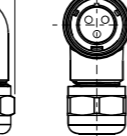
---

Angled cable connector  
Mate with SF1211, SF1212, SF1213, SF1215

**SF1214 / P** — **SF1214 / S** — (U): 



Number of contact

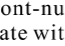
Panel cutout

电缆直径: 5-8mm  
Cable outer diameter range

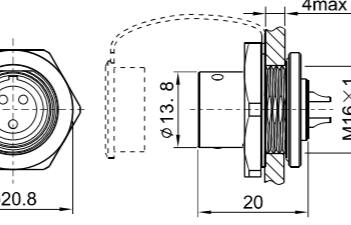
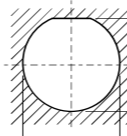
---

Front-nut mount  
Mate with SF1210,  
SF1214


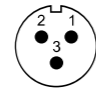
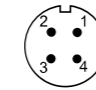
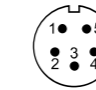
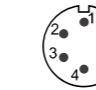

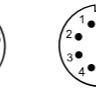
**SF1215 / P** — **SF1215 / S** — (U): 

Number of contact






Panel cutout

#### Solder contact spec


Number of contact	2	3	4	5	6	7	9
Male contact face view							
Rated current (A)	13	13	5	5	5	5	3
Contact diameter(mm)	Ø1.6X2	Ø1.6X3	Ø1X4	Ø1X5	Ø1X6	Ø1X7	Ø0.7X9
Rated voltage (AC.V)	250	250	200	300	180	300	125
Test voltage(AC.V) 1 min	1500	1500	1500	1000	1000	1000	1000
Contact resistance (mΩ)	2.5	2.5	5	5	5	5	10
Wire size(mm <sup>2</sup> /AWG)	≤2/14	≤2/14	≤0.75/18	≤0.75/18	≤0.75/18	≤0.75/18	≤0.5/20

### SF16 Series IP67

Cable connector  
Mate with SF1611, SF1612,  
SF1613, SF1615

SF  
16

**SF1610 / P** — **SF1610 / S** — (U): 

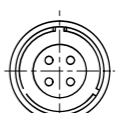
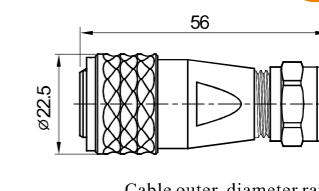
Male contact

1: solder, 3: crimp

Cable outer diameter  
I: 5-8mm, II: 8-12mm



Number of contact

Female contact

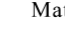



Cable outer diameter range:  
I: 5-8mm, II: 8-12mm

---

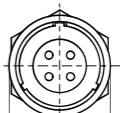
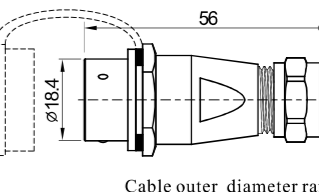



In-line cable connector  
Mate with SF1610

**SF1611 / P** — **SF1611 / S** — (U): 



Male contact

Female contact

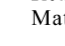



Cable outer diameter range:  
I: 5-8mm, II: 8-12mm

---

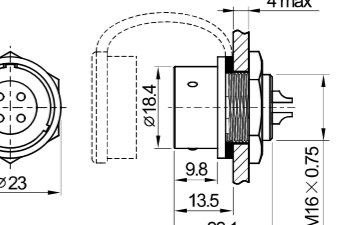
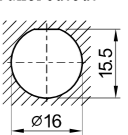



Rear-nut mount  
Mate with SF1610

**SF1612 / P** — **SF1612 / S** — (U): 



Number of contact

1: solder, 3: crimp

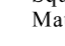



Panel cutout

---

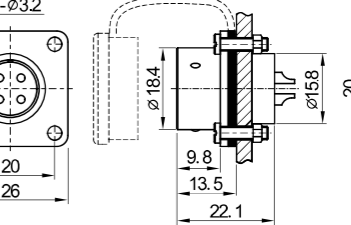
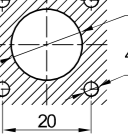



Square flange  
Mate with SF1610

**SF1613 / P** — **SF1613 / S** — (U): 



Number of contact

1: solder, 3: crimp

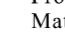



Panel cutout

---

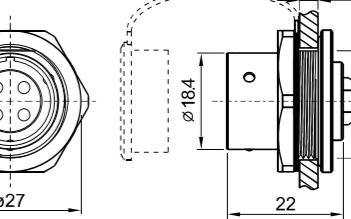
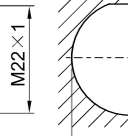



Front-nut mount  
Mate with SF1610

**SF1615 / P** — **SF1615 / S** — (U): 



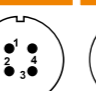


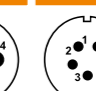
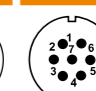



Number of contact

1: solder, 3: crimp

Panel cutout

#### Solder contact spec

Number of contact	2	3	4	2B	3B	4B	5	7	9	10
Male contact face view										
Rated current (A)	10	10	5	15	15	15	5	5	5	5
Contact diameter(mm)	Ø1.5X2	Ø1.5X3	Ø1X4	Ø2X2	Ø2X3	Ø2X4	Ø1X5	Ø1X7	Ø1X9	Ø1X10
Rated voltage (AC.V)	500	500	500	500	500	500	500	400	400	400
Test voltage(AC.V) 1 min	1500	1500	1500	1500	1500	1500	1500	1200	1200	1200
Contact resistance (mΩ)	2.5	2.5	5	2.5	2.5	2.5	5	5	5	5
Wire size(mm <sup>2</sup> /AWG)	≤2/14	≤2/14	≤0.75/18	≤2/14	≤2/14	≤2/14	≤0.75/18	≤0.75/18	≤0.75/18	≤0.75/18

★ Crimp contact spec see P107-P110



SF20 Series IP67

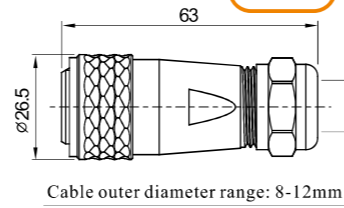
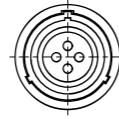
SF  
20



Cable connector  
Mate with SF2011, SF2012,  
SF2013, SF2015

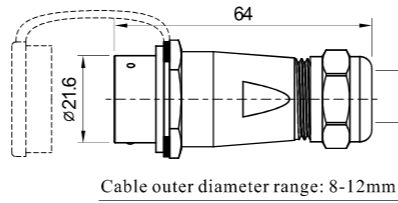
SF2010 / P --- SF2010 / S ---  
Male contact Female contact

1: solder, 2: screw, 3: crimp  
Number of contact



In-line cable connector  
Mate with SF2010

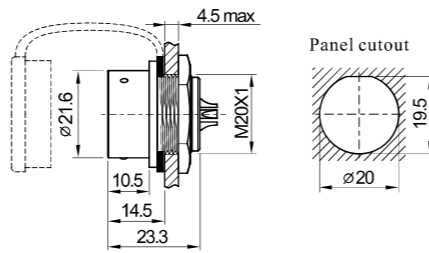
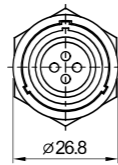
SF2011 / P --- SF2011 / S ---



Rear-nut mount  
Mate with SF2010

SF2012 / P --- SF2012 / S ---

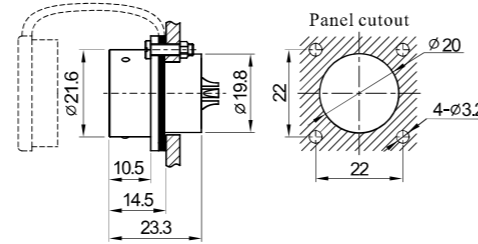
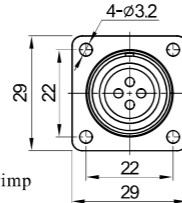
1: solder, 2: screw, 3: crimp  
Number of contact



Square flange  
Mate with SF2010

SF2013 / P --- SF2013 / S ---

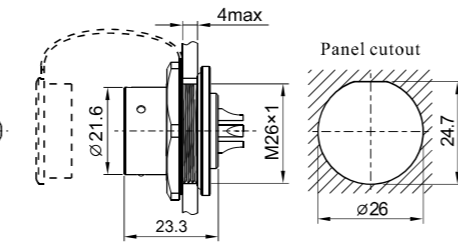
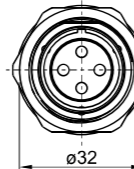
1: solder, 2: screw, 3: crimp  
Number of contact



Front-nut mount  
Mate with SF2010

SF2015 / P --- SF2015 / S ---

1: solder, 2: screw, 3: crimp  
Number of contact



Solder contact spec

★ Crimp contact spec see P107-P110 ★ Screw contact spec see P111-P112

Number of contact	2	3	4	5	6	6B	7	8	9	12	15
Male contact face view											
Rated current (A)	25	25	25	10	25 5	30 5	10	10	5	5	5
Contact diameter(mm)	ø2.5X2	ø2.5X3	ø2.5X4	ø1.5X5	ø2.5X4 ø1X2	ø3X2 ø1X4	ø1.5X7	ø1.5X8	ø1X9	ø1X12	ø1X15
Rated voltage (AC.V)	500	500	500	500	500	500	500	500	400	400	400
Test voltage(AC.V) 1 min	1500	1500	1500	1500	1500	1500	1500	1500	1200	1200	1200
Contact resistance (mΩ)	1	1	1	2.5	1 5	1 5	2.5	2.5	5	5	5
Termination	solder / screw	solder / screw	solder / screw	solder	solder	solder	solder	solder	solder	solder	solder
Wire size for solder (mm / AWG)	≤4/11	≤4/11	≤4/11	≤2/14	≤4/11 ≤0.75/18	≤4/11 ≤0.75/18	≤2/14	≤2/14	≤0.75/18	≤0.75/18	≤0.75/18
Wire size for screw termination (mm² / AWG)	≤1.5/15	≤1.5/15	≤1.5/15	/	/	/	/	/	/	/	/