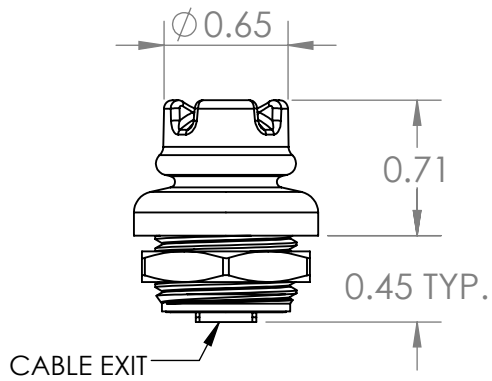
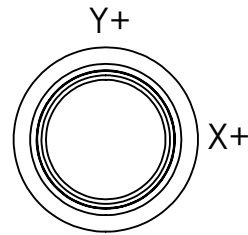
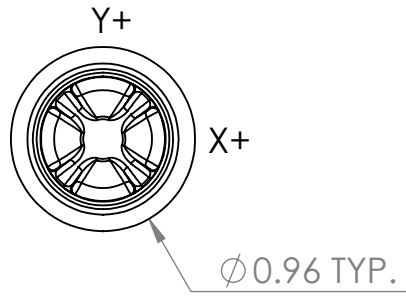
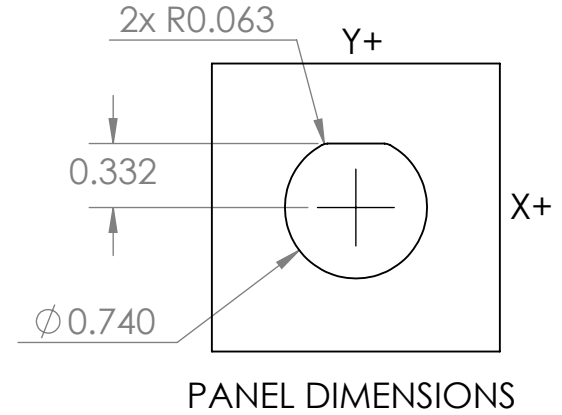
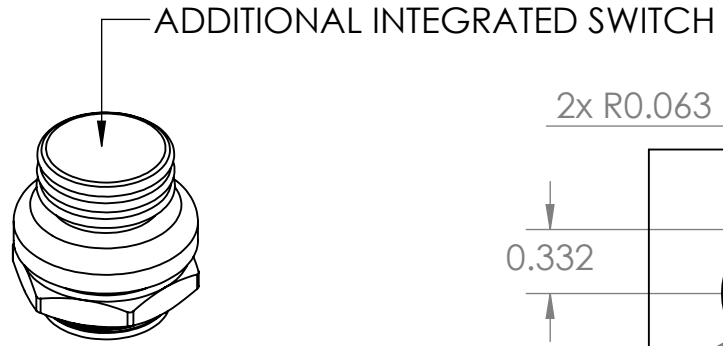
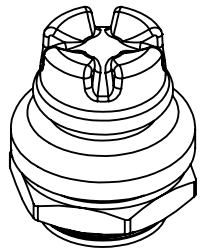
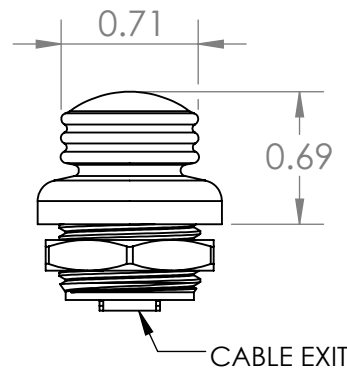


HS1 - ACTUATOR OPTIONS & MOUNTING



OPTION 4 (4-WAY) OR
OPTION 8 (8-WAY) SWITCH



OPTION 5 (5-WAY) OR
OPTION 9 (9-WAY) SWITCH

