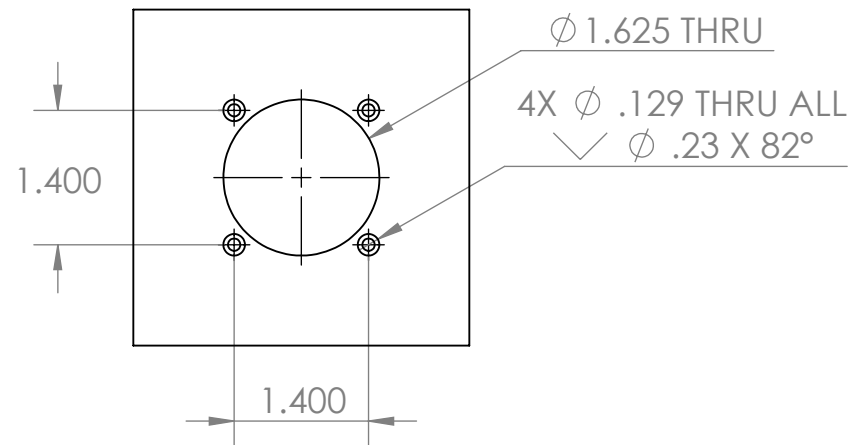
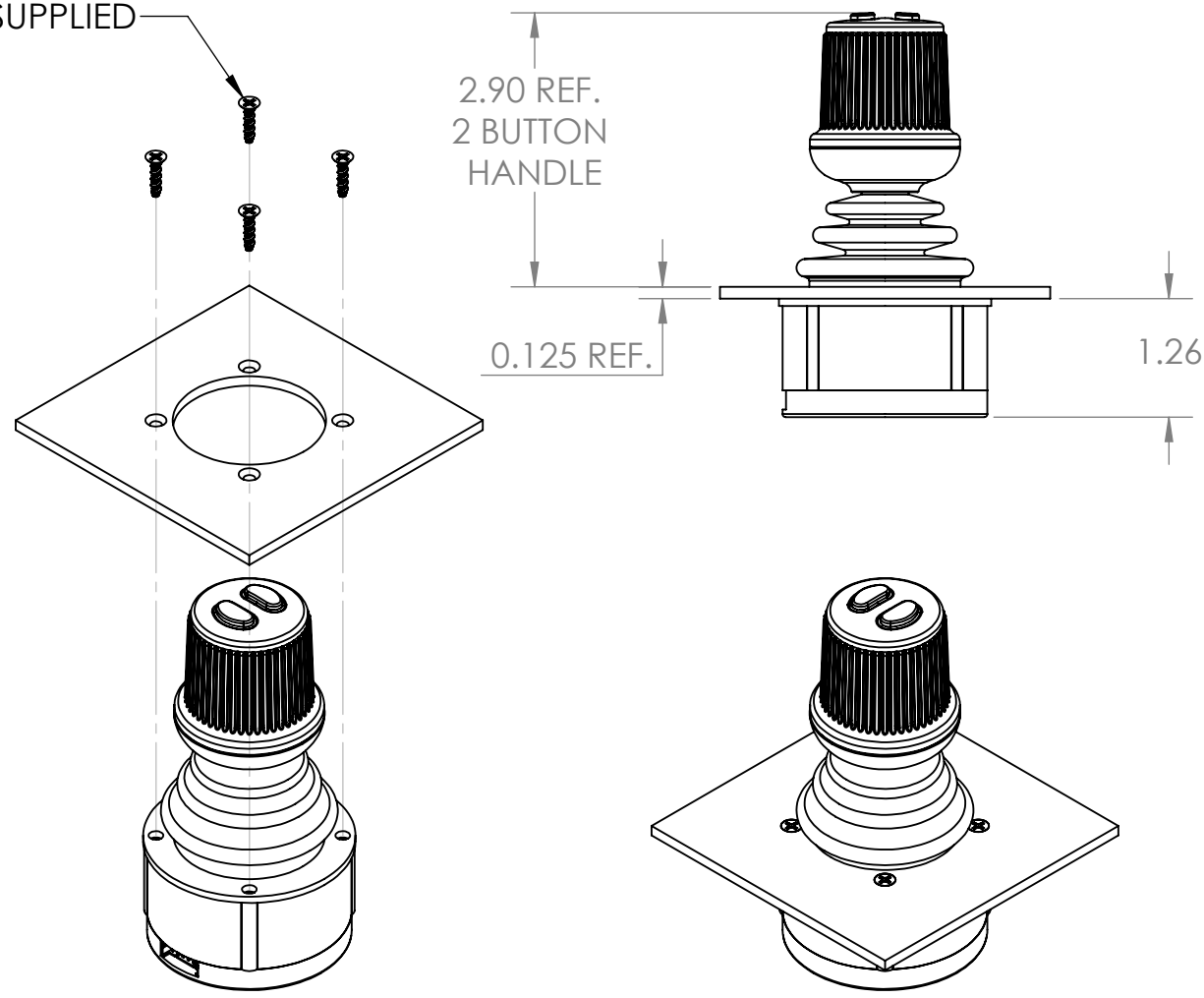


HE3 - MOUNTING & HANDLE OPTIONS

REAR MOUNT PANEL DIMENSIONS

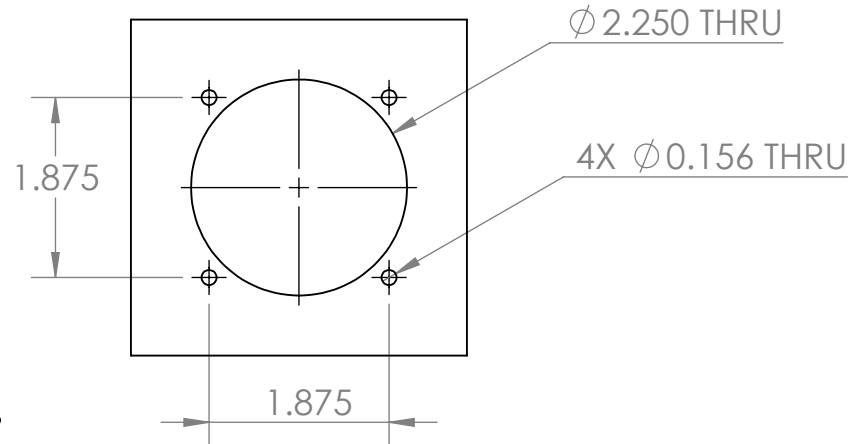


4X #4 FLAT HEAD SCREW, SUPPLIED



REAR MOUNT OPTION

DROP-IN PANEL DIMENSIONS



4X #6 MACHINE SCREW, SUPPLIED

