

CODED SWITCHES TYPE 07 & C07A

TYPE KEY



2 STYLE

- 0** Horizontal; screwdriver without bezel
- 1** Horizontal; with shaft
- 2** Vertical; screwdriver without bezel
- 3** Vertical; with shaft
- 4** Horizontal; screwdriver with bezel
- 5** Vertical; screwdriver with bezel

² C07A only available in style 1 and 3

END-STOP

- 0** Endless rotating (not for C07A, BCD)
- 1** With End-Stop

3 CODING

- 3** BCD (max. 10 pos.)
- 4** BCD compl. (max. 10 pos.)
- 5** Hex
- 6** Hex compl.
- 7** Gray

[Explanation: see chapter technical explanation at the end of the catalog]

³ C07A only available with code 5, 6 and 7

4 SWITCHING MODE

- 3** Shorting
- 4** Non-shorting

[Explanation: see chapter technical explanation at the end of the catalog]

⁴ Non-shorting not possible with "Gray Code"

1 NUMBER OF POSITIONS

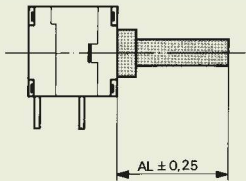
- 0** Standard (10 or 16 pos.)
- E** 15 pos. (0 – E)
- D** 14 pos. (0 – D)
- C** 13 pos. (0 – C)
- B** 12 pos. (0 – B)
- A** 11 pos. (0 – A)
- 9** 10 pos. (0 – 9)
- 8** 9 pos. (0 – 8)
- 7** 8 pos. (0 – 7)
- 6** 7 pos. (0 – 6)
- 5** 6 pos. (0 – 5)
- 4** 5 pos. (0 – 4)
- 3** 4 pos. (0 – 3)
- 2** 3 pos. (0 – 2)
- 1** 2 pos. (0 – 1)

¹ C07A; only available with standard number of positions.

SHAFT LENGTH (AL)

- 000** With shaft, without threaded bushing: 12.8 mm
With shaft, with threaded bushing: 11.5 mm
With shaft, with C07 bushing: 13 mm
- XXX** ² Custom (e.g. 10.5 mm = 105; not available for C07A)

² Customized shaft length/shaft length (AL) description measured from mounting face (see picture below). (max. shaft length: 30 mm, for threaded bushing: 26 mm, for C07A: 20 mm).



BUSHING, IP SEALING

- 00** None (type 07 only)
- 20** Threaded (nut supplied)
- 30** Threaded, IP68 (Hex nut supplied)

TORQUE, PACKAGING

- 3.2 Ncm (BCD: 2.2 Ncm), tray (50/200 pcs.)
- V** 3.2 Ncm (BCD: 2.2 Ncm), antistatic tray (100 pcs.)
- T** 3.5 Ncm (BCD: 3.5 Ncm), tray (50/200 pcs.)
- S** 3.5 Ncm (BCD: 3.5 Ncm), antistatic tray (100 pcs.)