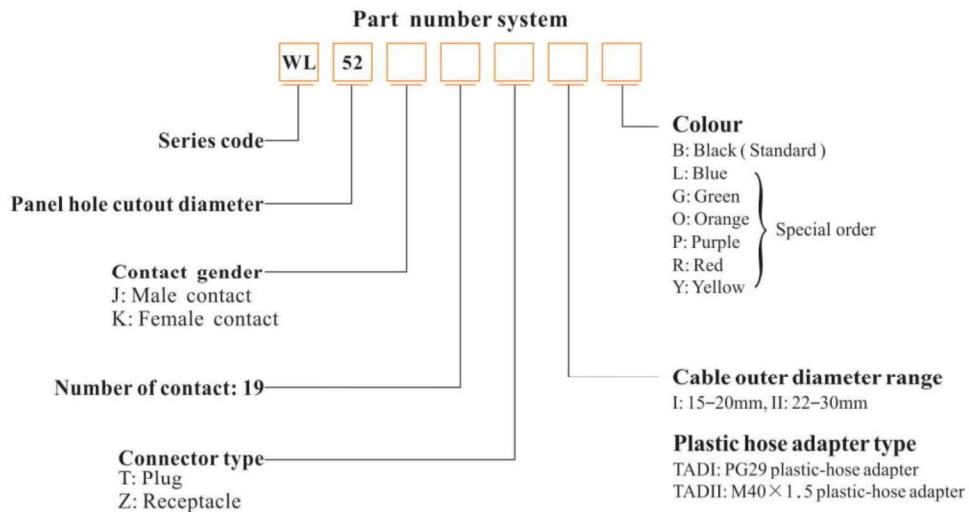




● **WL52 Series IP66/67**

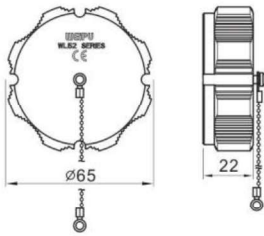


Material and spec

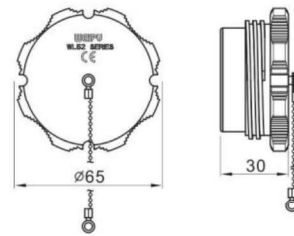
Coupling	Threaded
Shell material	Anodized aluminium
Insert material	PPS, max temperature 260°C
Contact material	Brass with gold plating
IP rating	IP66/67
Termination	Solder
Mating cycle	500
Temperature range	-40°C~+85°C
Insulation resistance (MΩ)	2000



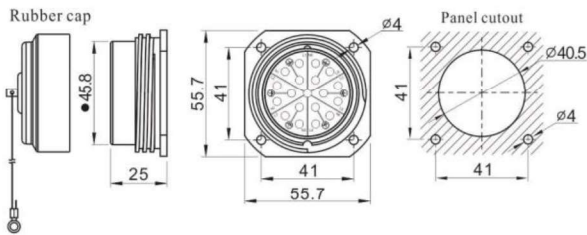
- Aluminium cap for female-contact connector:
P/N: WL52-GZK IP67



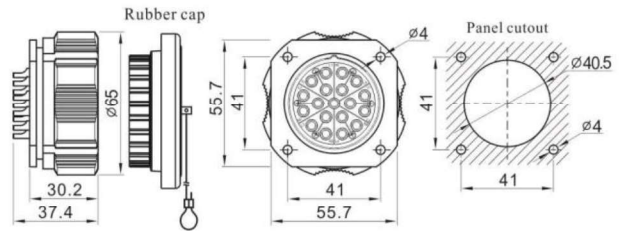
- Aluminium cap for male-contact connector:
P/N: WL52-GZJ IP67



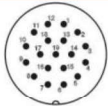
- Square flange female contact receptacle:
P/N: WL52K19Z IP67



- Square flange male contact receptacle:
P/N: WL52J19Z IP67

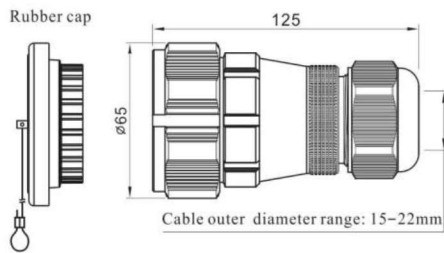


Solder contact spec

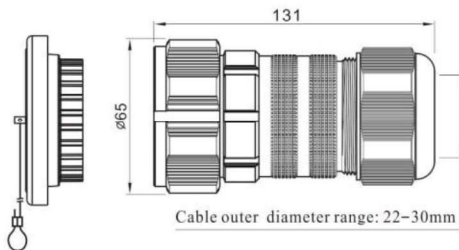
Number of contact	19
Male contact face view	
Rated current (A)	25
Contact diameter (mm)	3
Rated voltage	700 (DC.V), 500 (AC.V)
Test voltage(AC.V) 1 min	2500
Contact resistance (mΩ)	1
Wire size (mm ² / AWG)	≤6/9



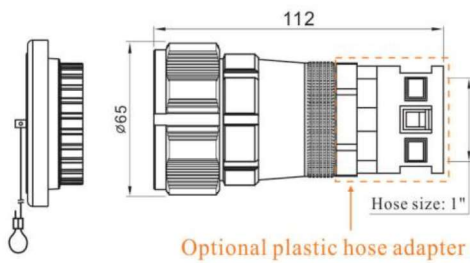
- Male-contact plug with clamping-nut IP67 P/N: WL52J19T



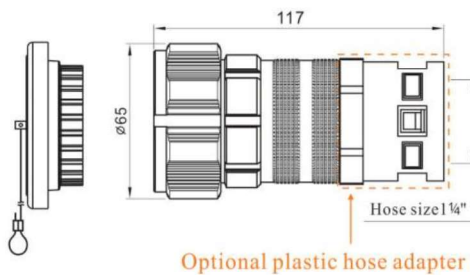
- Male-contact plug with clamping-nut 2 IP67 P/N: WL52J19TII



- Male-contact plug for PG29 Plastic hose adapter IP66 P/N: WL52J19TADI

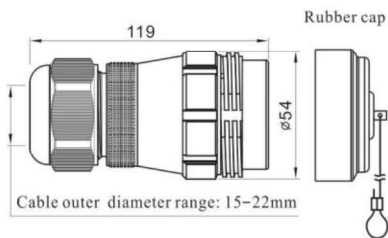


- Male-contact plug for M40 × 1.5 plastic hose adapter IP66 P/N: WL52J19TADII

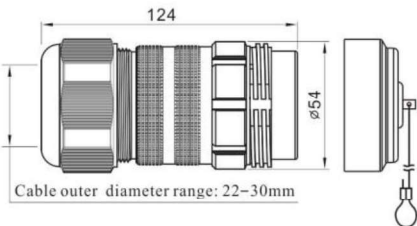




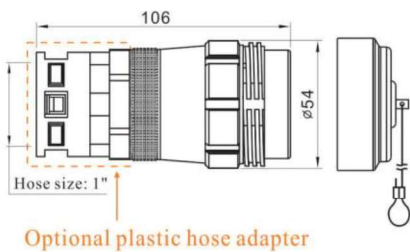
- Female-contact connector with clamping-nut IP67 P/N: WL52K19T



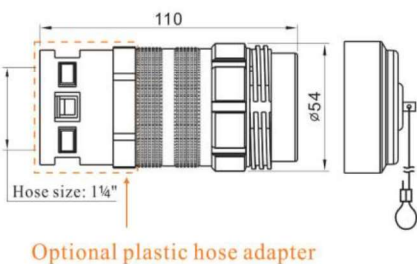
- Female-contact connector with clamping-nut 2 IP67 P/N: WL52K19TII



- Female-contact connector for PG29 Plastic hose adapter IP66 P/N: WL52K19TADI



- Female-contact connector for M40 × 1.5 Plastic hose adapter IP66 P/N: WL52K19TADII



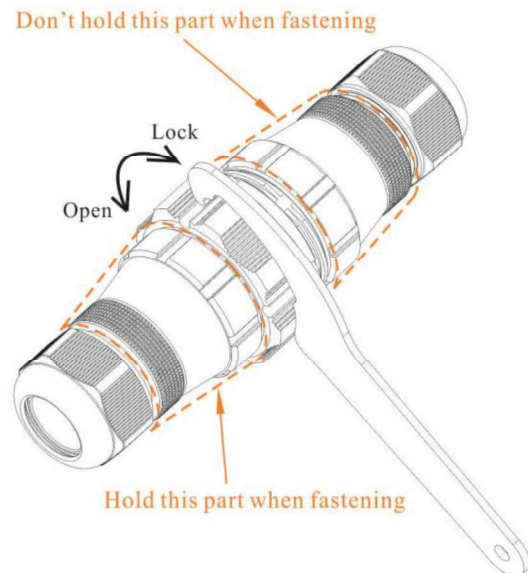
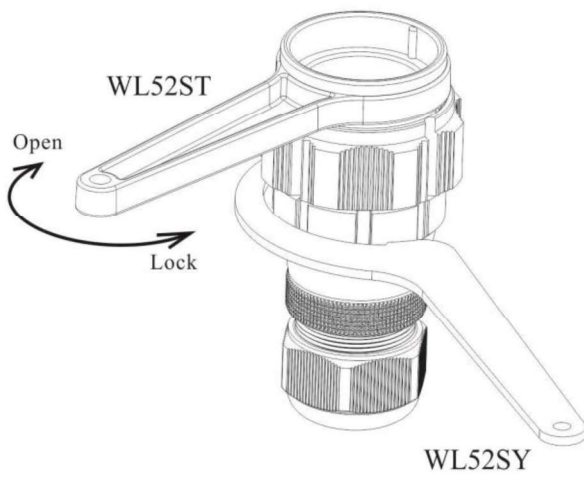
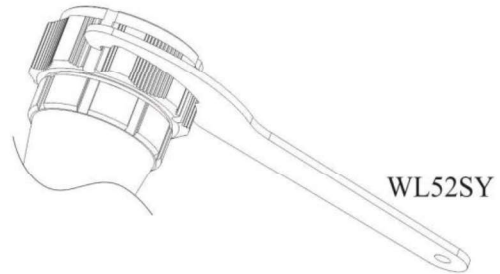
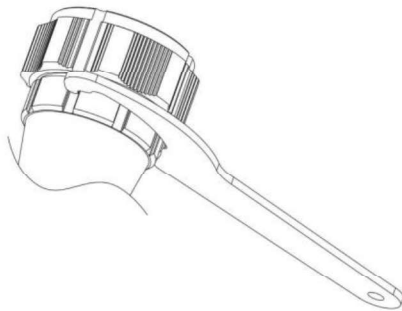
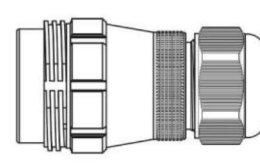
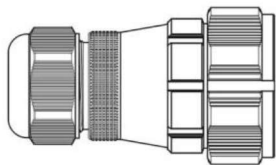


Instruction

Male-contact connector

WL52ST

Female-contact connector







IP67

WL52 Series

