

SPECIFICATIONS

CONTACT: Stainless Steel

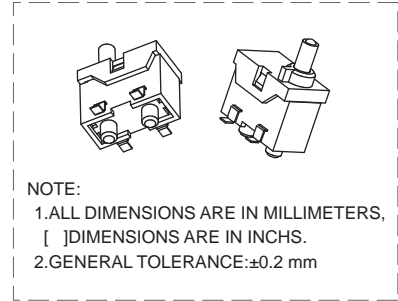
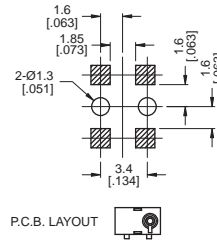
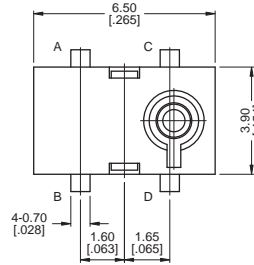
RATING: 50mA , 5VDC

STROKE: 2mm

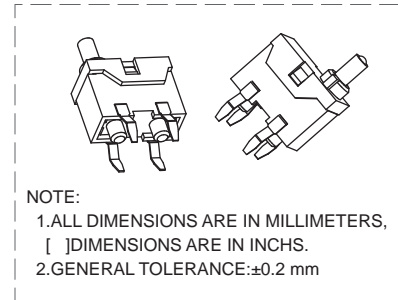
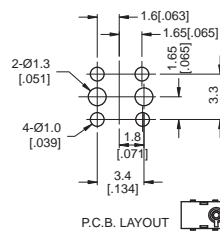
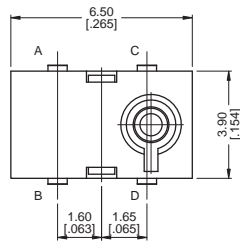
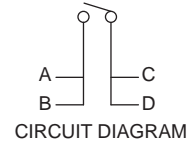
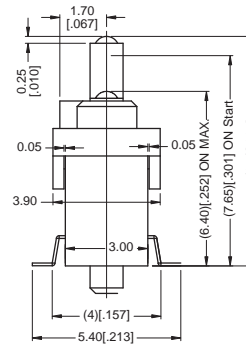
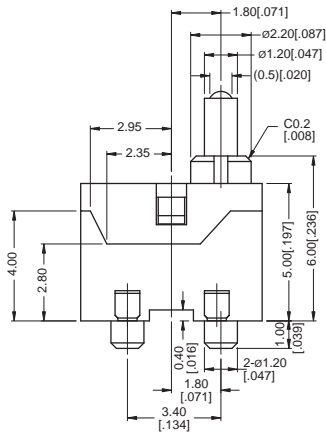
OPERATING FORCE: 30gf max

CONTACT RESISTANCE: 500mΩ max.

MODEL OPTIONS



TE-M



TE-H

