

SK, SJ SLIDING CONTACT SWITCHES

SK, SJ sliding contact switches

Sub-sub-miniature switch with high contact stability
by double redundant contact system

- Easy installation thanks to connector pins and fastening nut
- Smallest dimensions
- Models available for up to 85°C operating temperature
- High operating life
- Many connection possibilities, also with leads available on request

Technical specifications

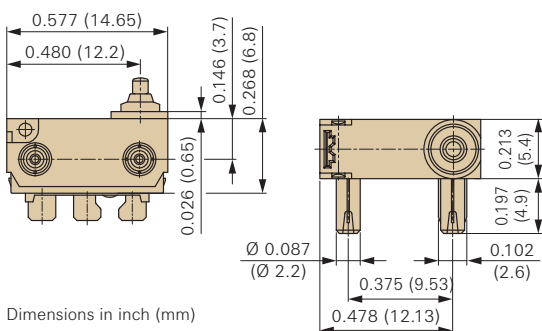
Series	SK	SJ
Type	sub-subminiature switch	sub-subminiature switch
Features	Sealed switch up to protection IP6K5, IP6K7 on request Actuation vertically or with auxiliary actuator	Sealed switch up to protection IP6K7 Suitable for actuation at angles of up to 40°
Electrical rating max.	0.1 A 12 VDC	0.1 A 12 VDC
Contact configuration	S.P.S.T. - N.O./ S.P.S.T. - N.C.	S.P.S.T. - N.O./ S.P.S.T. - N.C.
Dimensions mm (inch)	14.7 x 5.4 x 6.8 (0.57 x 0.21 x 0.27)	15.2 x 6.4 x 8.1 (0.59 x 0.25 x 0.32)
Actuator	Spherical head Straight auxiliary actuator Simulated roller auxiliary actuator	Spherical head

SK Series

SJ Series



SK Series



SJ Series

