



SPECIFICATIONS

- RATING :** 16A, 26A 250/125VAC.
- CONTACT RESISTANCE :** 50 mΩ max. @ 1A 12VDC (initial value)
- INSULATION RESISTANCE :** 100 MΩ min. at 500VDC
- DIELECTRIC STRENGTH :** 1,500V RMS @ sea level
- OPERATION TEMPERATURE :** -25°C to 85°C
- MECHANICAL LIFE :** Momentary 1,000,000 cycles
Latching 500,000 cycles
- ELECTRICAL LIFE :** 16A /125&250VAC 50,000 CYCLES
26A /125&250VAC 10,000 CYCLES
- OPERATION PRESSURE :** 3.5±1.5N
- TRAVEL :** About 3.2mm
- INGRESS PROTECTION :** IP67, IK08(Stainless)
- TORQUE:** 1~3Nm.

MATERIALS

- BUSHING :** Stainless Steel / Aluminum alloy
- BASE :** PBT(UL 94-V0) , PC(UL 94-V2)
- ACTUATOR :** PC ; Stainless Steel / Aluminum alloy
- INNER ASSEMBLY :** POM / PA66.
- SPRING :** Steel.
- SEALING :** Silicone.
- O-Ring :** Silicone.
- TERMINAL:** Brass ,Silver plated.
- HEX NUT :** Nickel plated brass.



IP 67
ACCORDING TO
EN 60529:1991+A1:2001
IEC 60529:2001



MW19 Pushbutton Switches

HOW TO ORDER

MODEL NO.	BODY TYPE	BUTTON TYPE	OPERATING TYPE	LIGHT TYPE	LED COLOR	LED VOLTAGE	MICRO SWITCH TYPE	RATING	CONNECT FORMS	TERMINAL TYPE
MW19	[]	[]	[]	[]	[]	[]	[]	[]	[]	[]

Body type

- A0 Stainless (Natural)
- C3 Al alloy (Black Anodized)

Operating type

- 0 Momentary
- 1 Lock

Light type

- 0 Without LED
- E Ring Moveable (Flat bottom only)
- L Ring+Power logo (Flat bottom only)
- P Power logo
- D Spot

Rating

- 1 16A(Only for terminal B type)
- 3 26A(Only for terminal A type)

Micro switch type

- A Standard (D-Logo)

Connect forms

- Z SPDT
- T SPST-NO
- D SPST-NC

LED Color

ITEM NO	COLOR
0	Without LED
1	White
3	Red
5	Yellow
6	Green
7	Blue
DUAL COLOR LED	
A	Red&Green
B	Red&Blue

LED Voltage (20mA)

ITEM NO	VOLTAGE
0	Without resistor
3	3V
6	6V
12	12V
24	24V
36	36V
110	110V
220	220V

Terminal type

- A #250 Quick-connect terminal (t=0.8mm)
- B #187 Quick-connect terminal(t=0.8mm)

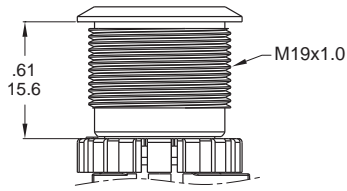
EXAMPLE:
MW19-A0R0000-A3ZA(Without LED)
MW19-A0F0E [] [] -A3ZA
LED color [] LED voltage []

MW19 Series

19mm High Current Metal Pushbutton Switches

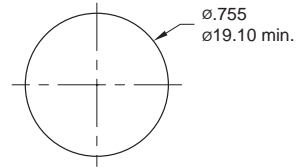
BODY TYPE

A0/C3



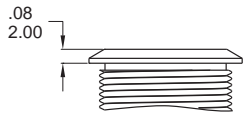
PANEL MOUNTING

Max. Panel thickness: 10.0mm [.39]

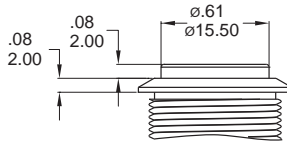


BUTTON TYPE

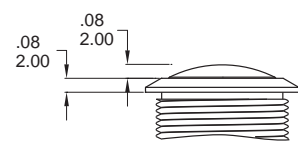
F Flat Button



H High Button

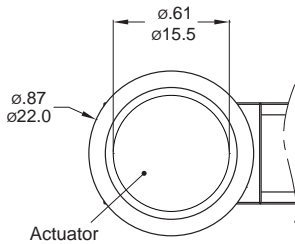


R Round Button (Without LED only)

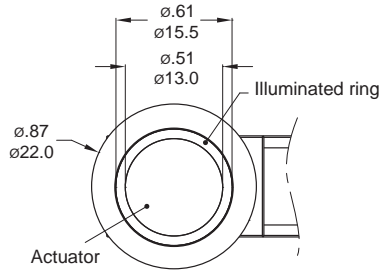


LIGHT TYPE

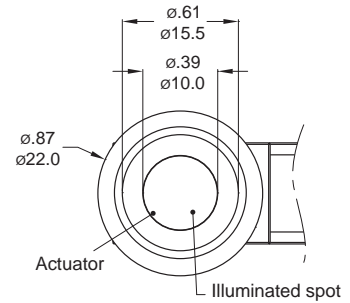
O Without LED



E Ring Moveable

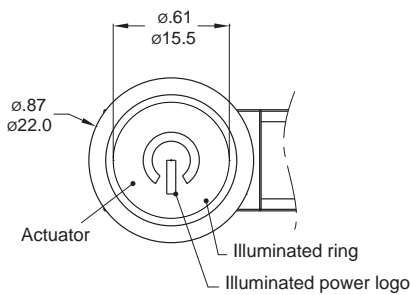


D Spot

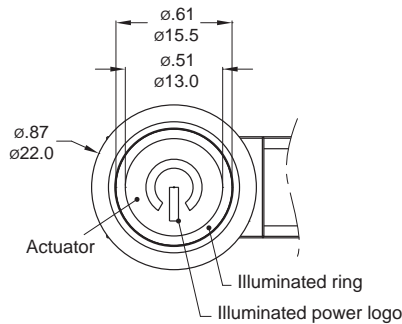


* Flat button for E light type only.

P Power logo



L Ring+Power logo

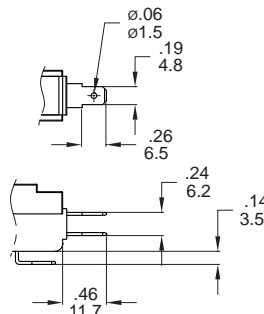


* Flat button for L light type only.

TERMINAL TYPE

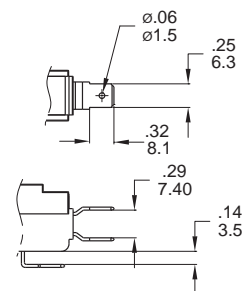
#187 Only 16A

Quick-connect terminal (t=0.8mm [.03])



#250 Only 26A

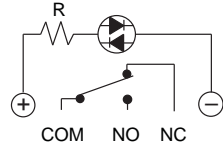
Quick-connect terminal (t=0.8mm [.03])



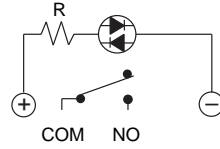
CIRCUIT



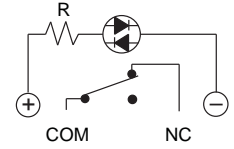
Non-LED



SPDT



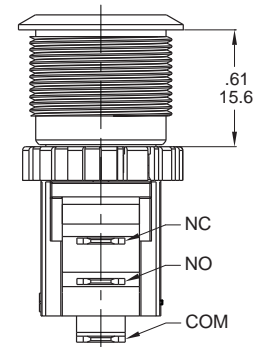
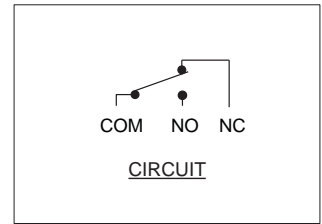
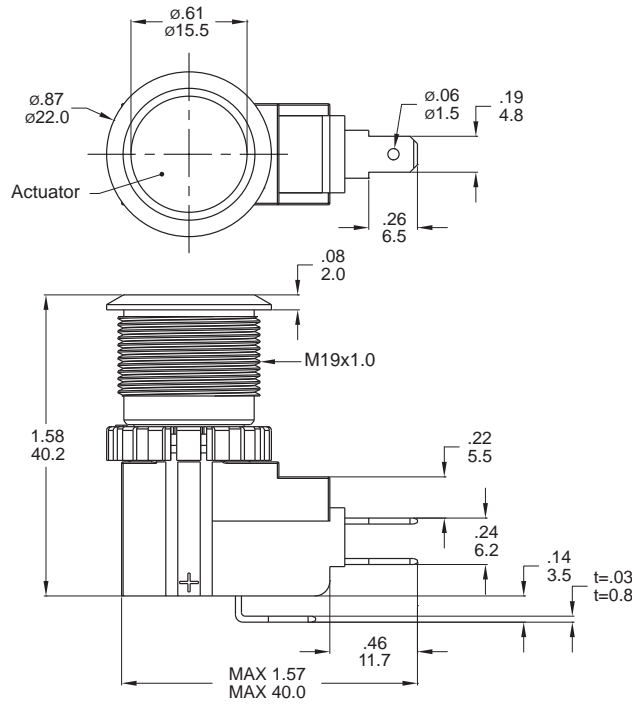
SPST-NO



SPST-NC

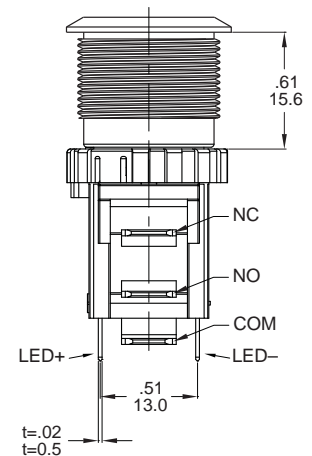
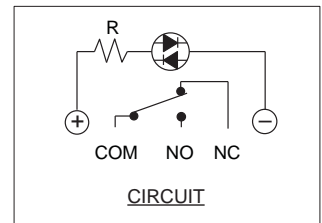
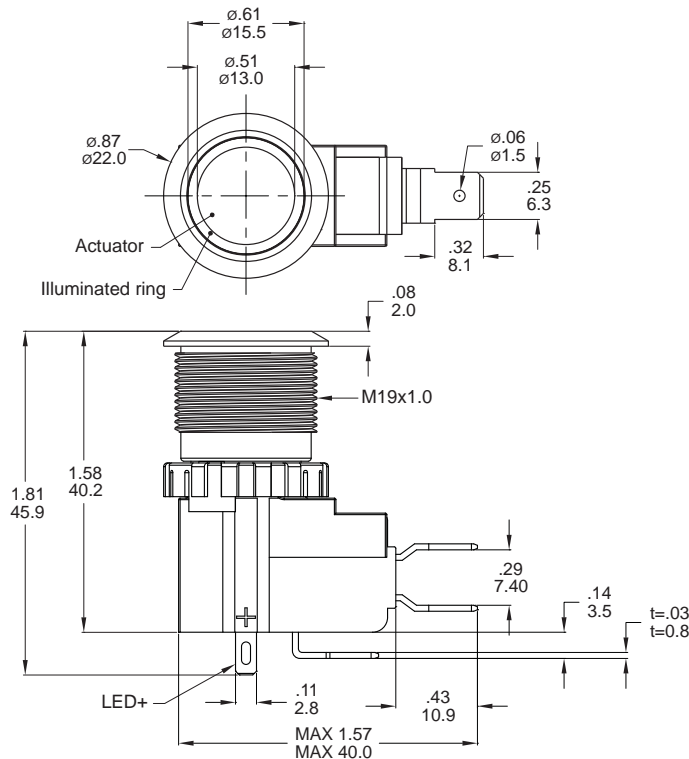
DIMENSION

0 Without LED



Part No. Shown : MW19-A0F0000-A1ZB

E Ring Moveable
(Flat bottom only)



Part No. Shown : MW19-A0F0E3-A3ZA



MW19
Pushbutton Switches