

MPB22 Series

22mm Metal Pushbutton Switches



SPECIFICATIONS

- RATING** : 1th 5A/250VAC resistive load 3A/250VAC
CONTACT RESISTANCE : 50 mΩ max. @ 1A 12VDC (initial value)
INSULATION RESISTANCE : 1,000 MΩ min. at 500VDC
DIELECTRIC STRENGTH : 2,000V RMS @ sea level
OPERATION TEMPERATURE : -20°C to 55°C
MECHANICAL LIFE : Momentary 1,000,000 cycles
 Self-lock 500,000 cycles
ELECTRICAL LIFE : 50,000 make-and-break cycles at full load
TORQUE : 5~14Nm
PANEL THICKNESS : 10mm (Ø22.20mm)
OPERATION PRESSURE : 1Pole 2.5±1N / 2Poles 3.5±1N
TRAVEL : About 3.2mm
INGRESS PROTECTION : IP67, IK10(Stainless)

MATERIALS

- BUSHING** : Stainless Steel / Aluminum alloy
BASE : PBT(UL 94-V0) , PC(UL 94-V2)
ACTUATOR : PC; Stainless Steel / Aluminum alloy
INNER ASSEMBLY : POM / PA66.
SPRING : Spring steel.
SEALING : Sillicone.
O-Ring : Sillicone.
TERMINAL : Brass,with silver or gold plated.
CONTACT :
 Q=Copper ,Silver plated.
 R=Brass,Coin silver,Gold plated
HEX NUT : Nickel plated brass

HOW TO ORDER

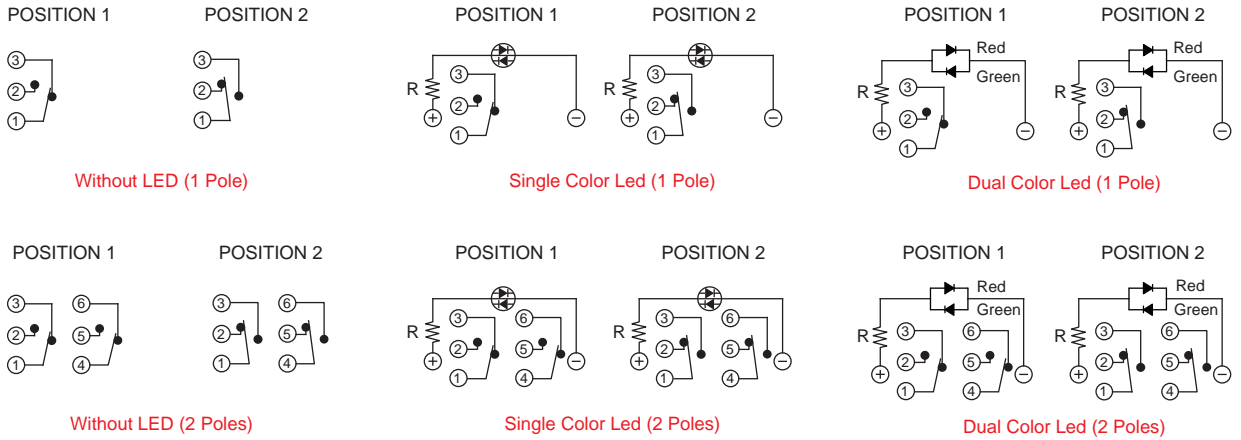
MODEL NO.	BODY TYPE	BUTTON TYPE	CONTACT CONFIGURATION	OPERATING TYPE	LIGHT TYPE	LED COLOR	LED VOLTAGE	TERMINAL SHAPE	TERMINAL PLATING
MPB22	Body type A0 Stainless (Natural) C3 Al alloy (Black Anodized)	Button type F Flat	Contact Configuration 1 1NO 1NC 2 2NO 2NC	Operating type 0 Momentary 1 Lock	Light type 0 Without LED E Ring (Moveable) E2 Illuminated Ring with led color ,red/green/blue availavle only			Terminal shape J Solder terminal(std) T1 Flying lead terminals L=500mm T2 Flying lead terminals L=1000mm T3 Flying lead terminals L=1500mm T4 Flying lead terminals L=2000mm	Terminal plating Q Silver R Gold
MPB22	Body type D0 Stainless (Natural),Flat	Button type F Flat	Contact Configuration 1 1NO 1NC 2 2NO 2NC	Operating type 0 Momentary 1 Lock	Light type E1 Illuminated ring with power logo only availavle in white cap E3 Illuminated ring with power logo with led color,red/green/blue availavle only				

LED Color		LED Voltage (20mA)	
ITEM NO	COLOR	ITEM NO	VOLTAGE
0	Without LED	0	Without Resistor
1	White	3	3V
3	Red	6	6V
5	Yellow	12	12V
6	Green	24	24V
7	Blue	36	36V
DUAL COLOR LED		110	110V
A	Red&Green	220	220V
B	Red&Blue		
D	Blue&Yellow		
G	Red&Yellow		
H	Green&Yellow		
J	Orange&Green		

EXAMPLE:
 MPB22-A0F100-JQ (Without LED)
 MPB22-A0F10E-□-JQ
 LED color LED voltage



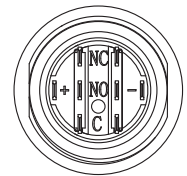
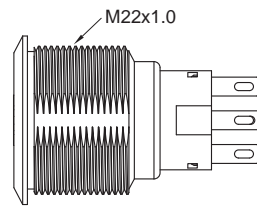
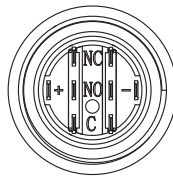
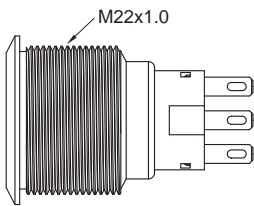
CIRCUIT



BODY TYPE

A0/C3 Body

D0 Body (Flat)

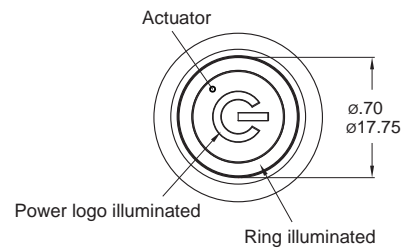
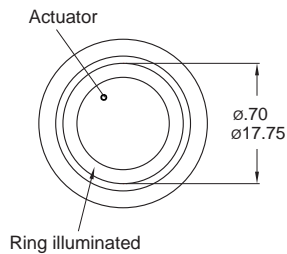
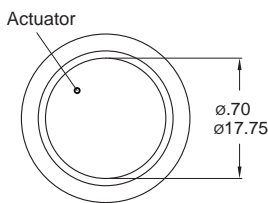


LIGHT TYPE

0 Without LED

E Ring (Moveable)

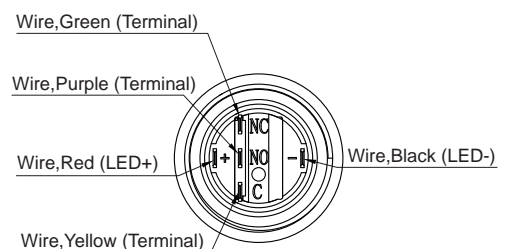
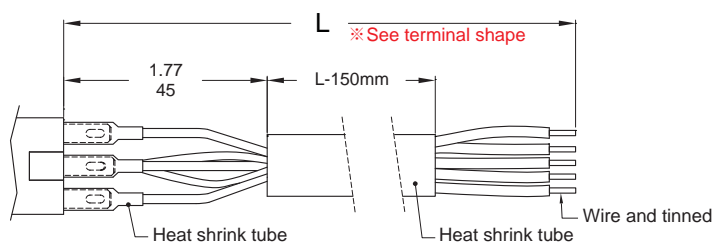
E3 Ring+Power logo



* Only for D0 body.

Wire (Flying lead Terminals)

* Wire=UL 3385, 18AWG, 300V (Black/Yellow/Green/Red/Purple)

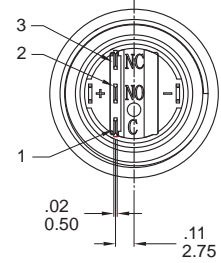
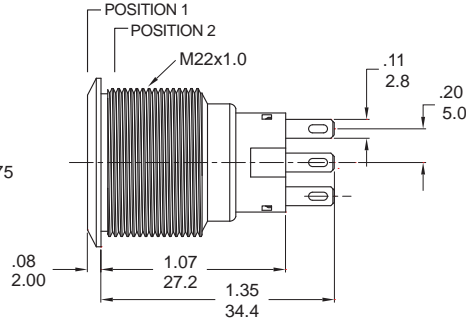
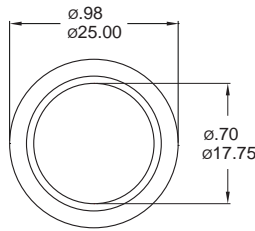


MPB22 Series

22mm Metal Pushbutton Switches

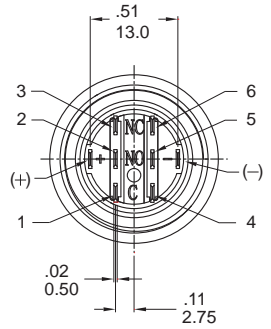
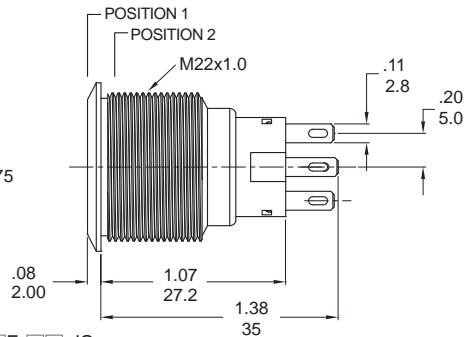
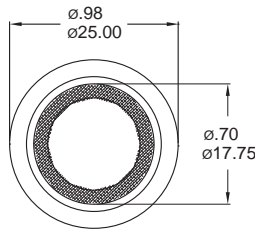
LIGHT TYPE

0 Without LED



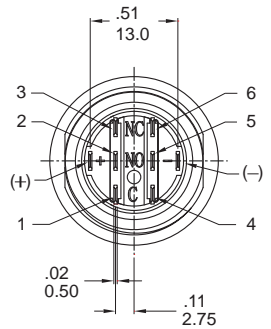
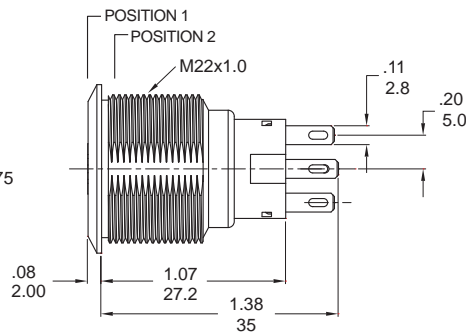
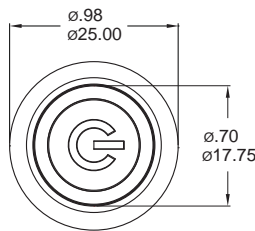
Part No. Shown : MPB22-A0F1□0-JQ

E Ring (Moveable)



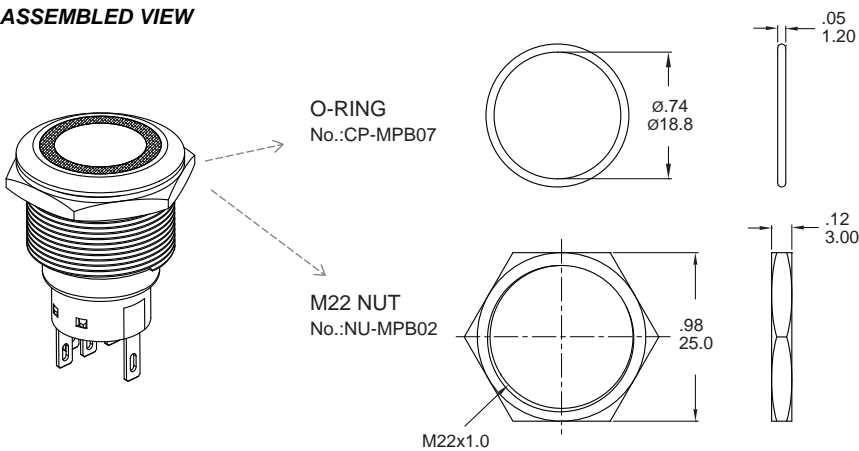
Part No. Shown : MPB22-A0F2□E-□□-JQ

E3 Ring+Power logo



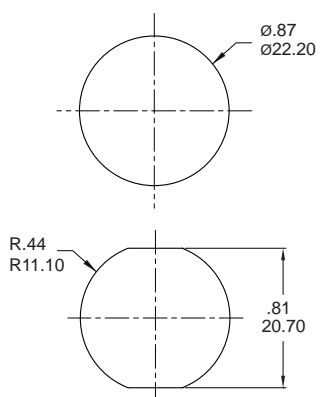
Part No. Shown : MPB22-D0F2□E3-□□-JQ

ASSEMBLED VIEW



PANEL MOUNTING

Max. Panel thickness: 10.0mm[.39]



O-RING INSTALLATION

Proposal	In front of the panel	Behind the panel
Installation Diagram		