

KPB22 Series

22mm Illuminated Pushbutton Switches



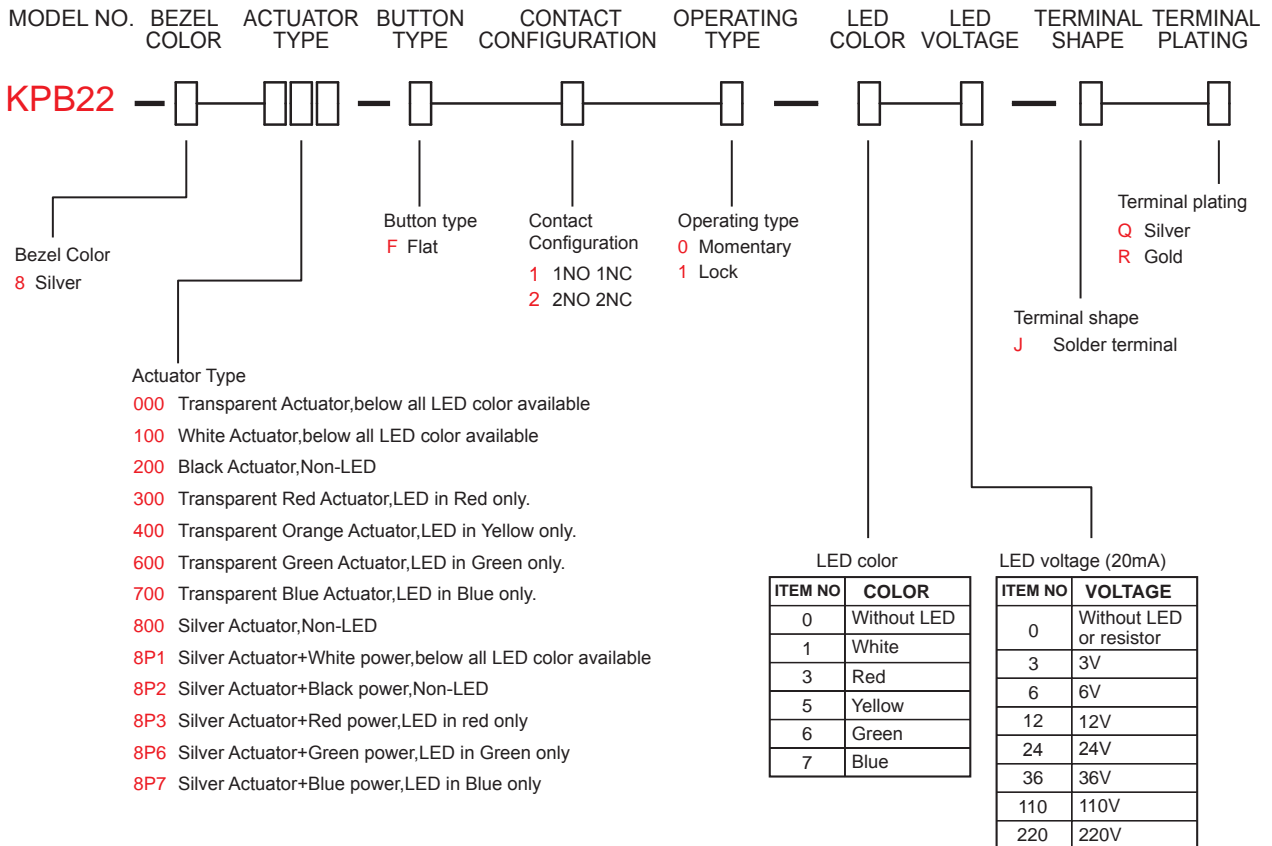
SPECIFICATIONS

RATING : 1th 5A/250VAC. resistive load 3A/250VAC.
CONTACT RESISTANCE : 50mΩ MAX.@1A 12VDC(initial value).
INSULATION RESISTANCE : 1,000MΩ MIN at 500VDC.
DIELECTRIC STRENGTH : 2,000V RMS@sea level.
OPERATION TEMPERATURE : -20°C to 55°C.
MECHANICAL LIFE : Momentary 1,000,000 cycles
 Lock 500,000 cycles
ELECTRICAL LIFE : 50,000 make-and-break cycles at full load.
TORQUE : 1~3Nm.
PANEL THICKNESS : 6mm (Ø22.00mm)
OPERATION PRESSURE : 1Pole 2.5±1N / 2Poles 3.5±1N
TRAVEL : ABOUT 3.2mm.
INGRESS PROTECTION : IP65

MATERIALS

BEZEL : PC
BASE : PBT(UL 94-V0) & PC(UL 94-V2)
ACTUATOR : PC & POM.
INNER ASSEMBLY : POM. / PA66.
SPRING : Stainless steel.
SEALING : Silicone.
O-Ring : Silicone.
TERMINAL / CONTACT : Brass,Silver plated.
HEX NUT : PC.

HOW TO ORDER



EXAMPLE:

KPB22-KPB22-88P1-F10-[]-[]-JQ
 LED color — LED voltage

KPB22 Pushbutton Switches

CIRCUIT

POSITION 1

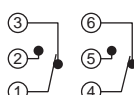


Without LED (1 Pole)

POSITION 2

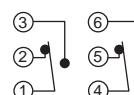


POSITION 1

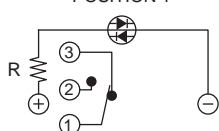


Without LED (2 Poles)

POSITION 2

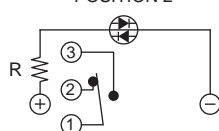


POSITION 1

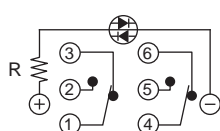


Single Color Led (1 Pole)

POSITION 2

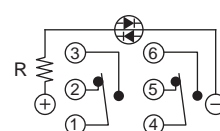


POSITION 1



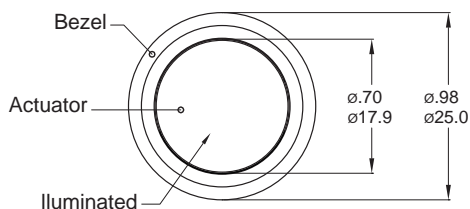
Single Color Led (2 Poles)

POSITION 2

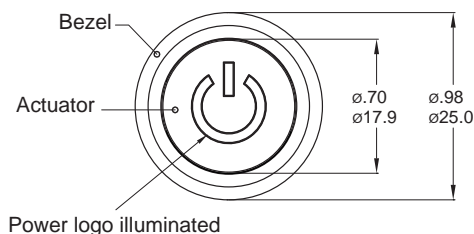


ACTUATOR TYPE

X00 Transparent Actuator

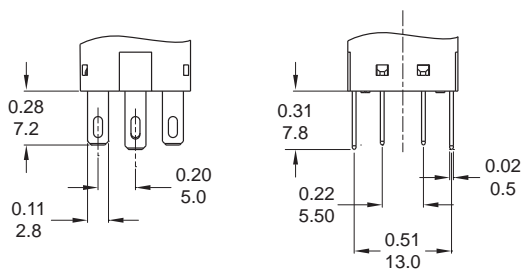


8PX Power



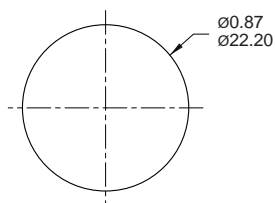
TERMINAL TYPE

J Solder terminal (std)



PANEL MOUNTING

Max. Panel thickness: 6.0mm[.24]



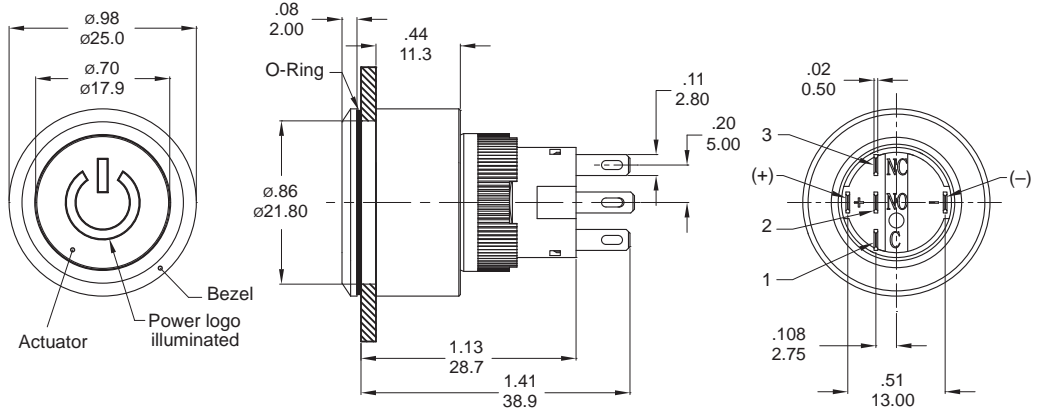
O-RING INSTALLATION

Proposal	In front of the panel
Installation Diagram	

KPB22 Series

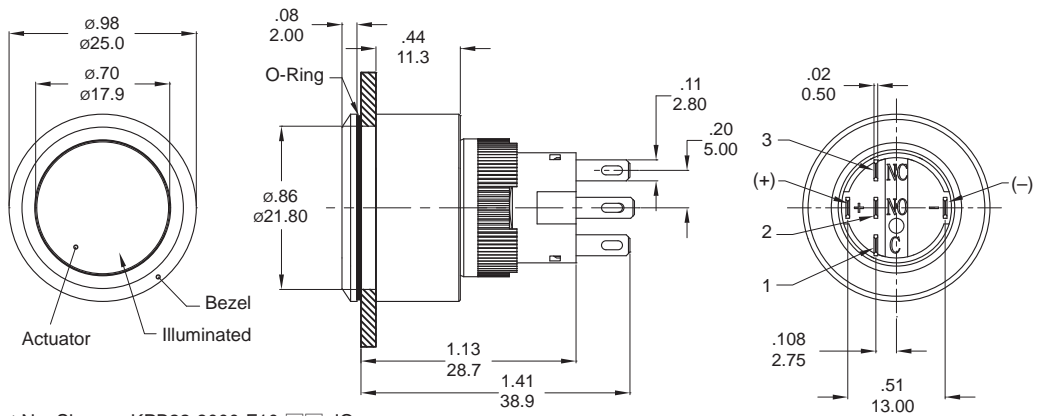
22mm Illuminated Pushbutton Switches

8P1



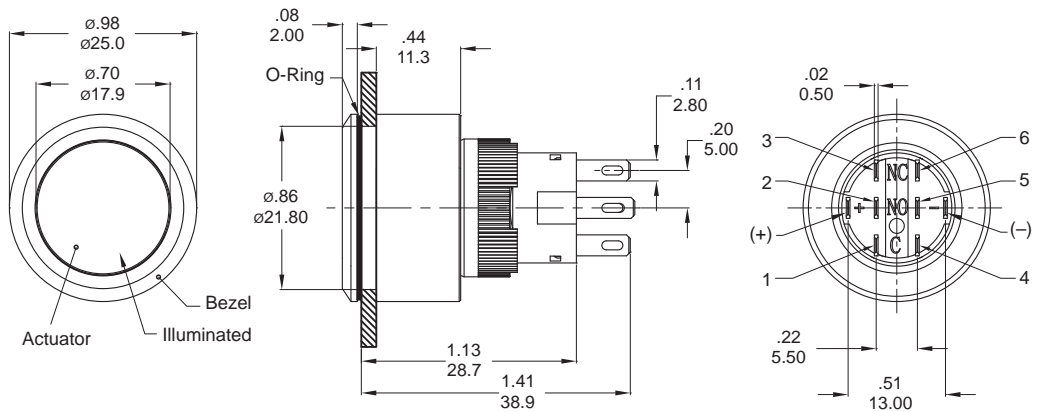
Part No. Shown : KPB22-88P1-F10-□□-JQ

000



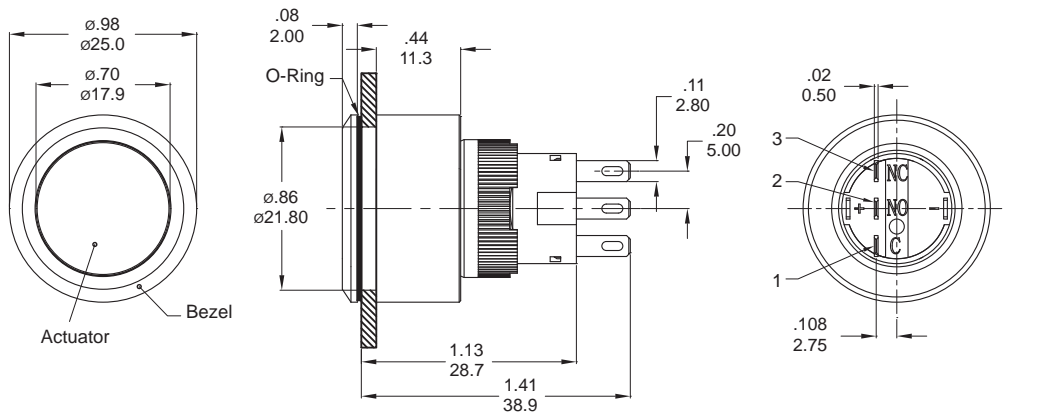
Part No. Shown : KPB22-8000-F10-□□-JQ

400



Part No. Shown : KPB22-8400-F20-5□-JQ

800 Non-LED



Part No. Shown : KPB22-8800-F10-JQ

KPB22 Pushbutton Switches