

ROTARY SWITCH

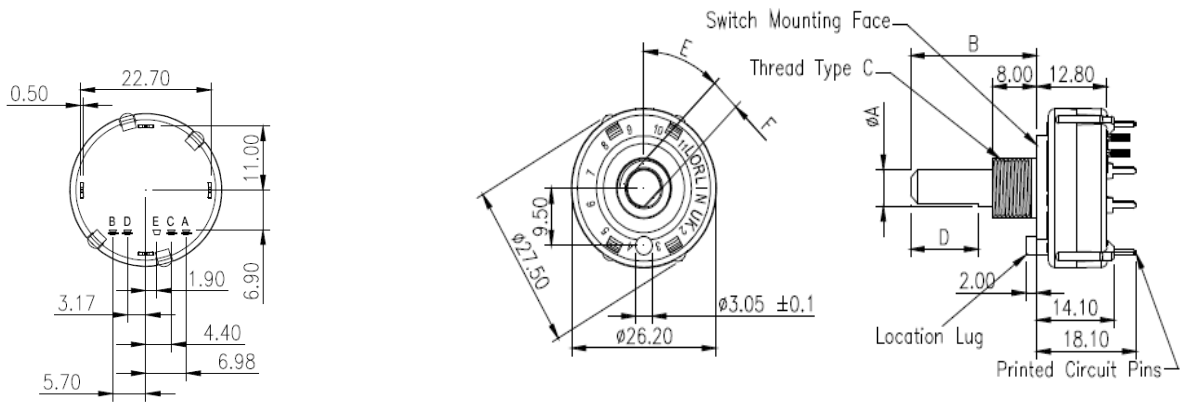
GCK ROTARY SWITCH

ELECTRICAL & MECHANICAL SPECIFICATION

Switch Rating:	150mA @ 50V ac/dc	Life:	>10,000 Cycles
Proof Voltage:	250V ac (Initial)	Operating Temperature:	-30°C to +85°C
Insulation Resistance:	>999 MΩ at 500V dc (Initial)	Operating Torque (nominal):	Standard 4.7 ± 0.5 cNm
Contact Resistance	<50 mΩ (Initial)	End Stop Torque (nominal):	0.8 Nm
Terminal Material:	Brass, CZ108 Sn Plated	Housing/Bush Material	Polyamide 6.6 G.F

FEATURES

Gray coded, standard and complimentary versions	Standard 22.5° indexing 4-Bit	PCB Terminals
Adjustable stops to restrict number of positions	Standard 45° indexing 3-Bit	+ extra stabilising terminals
Spindles with special flats, slots or knurls	Moulded 27.5mm diameter	Standard silver contacts, gold flashed
Made in the UK	UL-V0 rated material option	or gold plated also available



STANDARD PART NUMBERS

BASIC TYPES	SPINDLE DIAMETER	SPINDLE LENGTH FROM MOUNTING FACE	8mm LONG BUSH	SPINDLE FLAT LENGTH	ANGLE OF SPINDLE FLAT	SPINDLE FLAT THICKNESS
IMPERIAL	6.35mm	38mm	9.52 x 32TPI	30mm	90°	5.5mm
METRIC	6.00mm	50mm	M10 x 0.75	No Flat	---	---

	STANDARD METRIC		STANDARD IMPERIAL	
	Stop	No Stop	Stop	No Stop
4-Bit Gray – Standard Spindle	GCK 1016	GCK 1017	GCK1018	GCK1019
4-Bit Gray Comp – Standard Spindle	GCK 1020	GCK1021	GCK1022	GCK1023
3-Bit Gray – Standard Spindle	GCK 1024	GCK1025	GCK1026	GCK1027
3-Bit Gray Comp – Standard Spindle	GCK 1028	GCK1029	GCK1030	GCK1031

COMMON E Connection to Terminals				
Position	A	B	C	D
0				
1				*
2			*	*
3			*	
4		*	*	
5		*	*	*
6		*		*
7		*		
8	*	*		
9	*	*		*
A	*	*	*	*
B	*	*	*	
C	*		*	
D	*		*	*
E	*			*
F	*			

LORLIN GRAY CODED COMMON -4-BIT

COMMON E Connection			
Position	A	B	C
0			
1			*
2		*	*
3		*	
4	*	*	
5	*	*	*
6	*		*
7	*		

LORLIN GRAY CODED COMMON -3-BIT

STD - COUNT UP MIN - MAX
 COMP - COUNT DOWN - MAX - MIN
 AS ROTATED CLOCKWISE

SPINDLE DIMENSIONS

	A	B	C	D	E	F
BASIC TYPES	SPINDLE DIAMETER	SPINDLE LENGTH FROM MOUNTING FACE	8mm LONG BUSH	SPINDLE FLAT LENGTH	ANGLE OF SPINDLE FLAT	SPINDLE FLAT DEPTH
IMPERIAL	6.35mm	38mm	9.52 x 32TPI	30mm	90°	5.5mm
METRIC	6.00mm	50mm	M10 x 0.75	No Flat	---	---

STANDARD SCREWDRIVER SLOT ANGLES

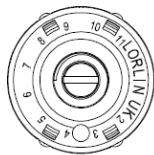
Standard screwdriver slots are 1.2mm wide and 1.5mm deep.



TYPICAL SPINDLE DETAILS



Orientation with location lug in position shown.



EXAMPLE

Screwdriver slot level with top of threaded fixing bush 1.2mm wide x 1.5mm deep (standard) at 90° (standard)

GCK ORDERING: DETAILS NEEDED

1. Switching Code
2. Imperial or Metric Spindle Diameter
3. Dimension (B) Spindle length from Mounting Face
4. Thread Required (C)
5. Spindle Flat length if required (D)
6. Angle of Flat (E)
7. Spindle Flat Depth (F)
8. 8 Position or No Stop Version
9. Contact Plating: Silver/Gold Flash/2.5 microns Gold Plate
10. Location Lug if required