

DTS Series

Tact Switches

SPECIFICATIONS

CONTACT: Mechanical contact

CIRCUIT: SPST

RATING: DC 12V 50mA

TRAVEL: 0.3±0.15mm

OPERATING FORCE: 160±50gf

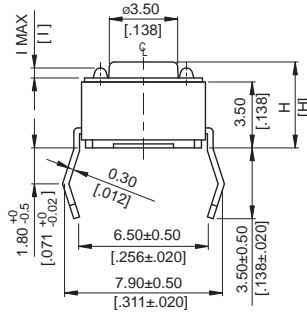
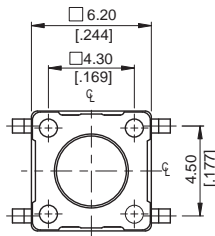
260±50gf

CONTACT RESISTANCE: 100mΩ max.

LIFE: 100,000 Cycles min.

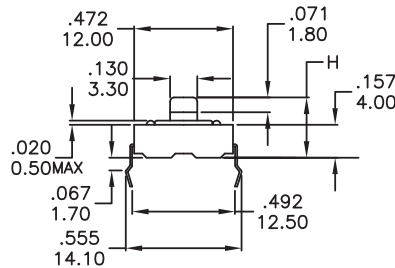
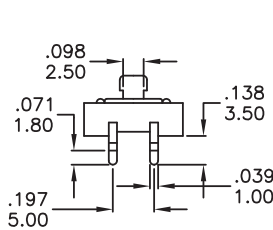
MODEL OPTIONS

DTS-62N



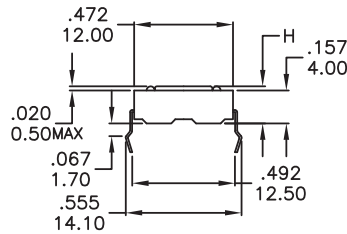
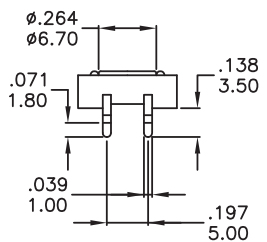
DTS-66	13.0 [0.512]	0.6 MAX [0.0236 MAX]
DTS-65	9.5 [0.374]	
DTS-63	7.0 [0.275]	
DTS-62	5.0 [0.197]	
DTS-61	4.3 [0.169]	0.5 MAX [0.0197 MAX]
PROD. NO.	H	I

DTS-24N



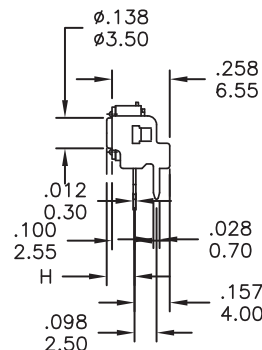
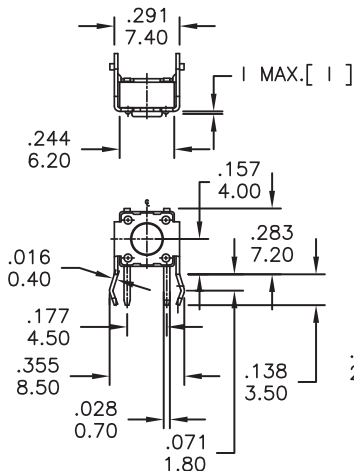
DTS-25	8.50 [0.335]
DTS-24	7.30 [0.287]
DTS-21	4.30 [0.169]
PROD. NO.	H

DTS-21N

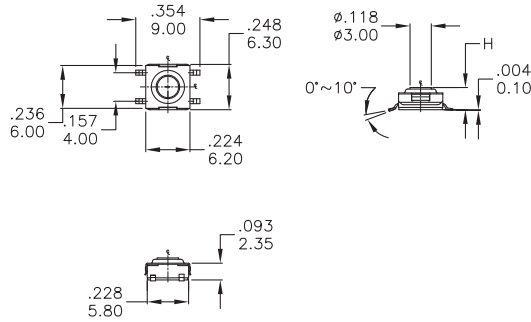


DTS-25	8.50 [0.335]
DTS-24	7.30 [0.287]
DTS-21	4.30 [0.169]
PROD. NO.	H

DTSA-61N



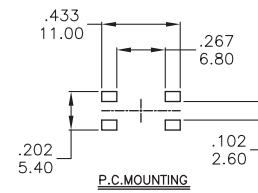
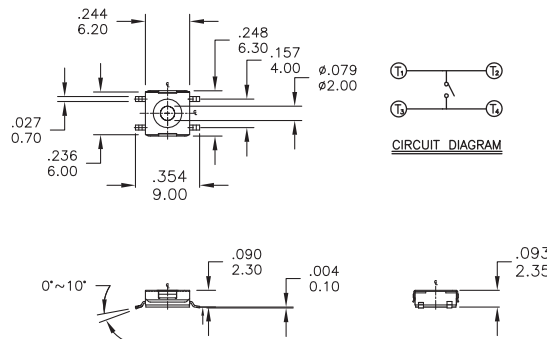
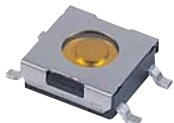
DTSA-66	11.85 [0.467]	0.4MAX [0.016MAX]
DTSA-65	8.35 [0.329]	
DTSA-63	5.85 [0.230]	
DTSA-62	3.85 [0.152]	
DTSA-61	3.15 [0.124]	0.3MAX [0.012MAX]
PROD. NO.	H	I



CONTACT: Stainless Steel.
 CIRCUIT DISC: Phosphor brpnze with Silver cladding.
 RATING: Brass with silver cladding.
 BASE: UL94V-0 PPA Hing-Temp. Thermoplastic

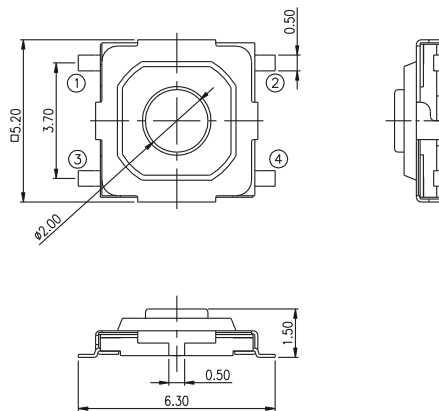
DTSMW-69	3.80 [1.50]
DTSMW-68	2.30 [.091]
DTSMW-67	5.20 [.205]
DTSMW-66	3.10 [.120]
DTSMW-65	3.50 [.138]
DTSMW-64	4.50 [.177]
PROD. NO.	H

DTSMW-66

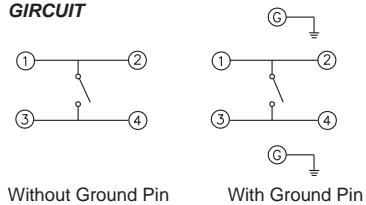


OPERATING FORCE	STEM COLOR
N 160gf	Brown
S 160gf	Silver
R 260gf	Red

DTSMW-68

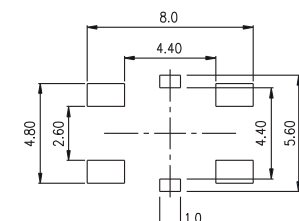


CIRCUIT



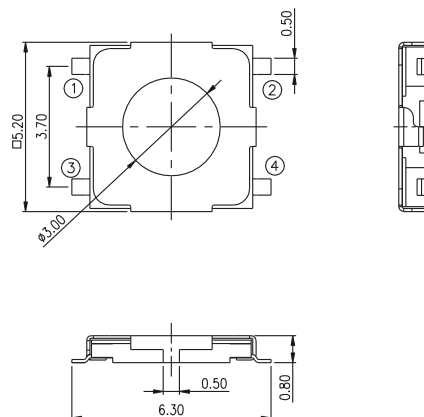
Without Ground Pin

With Ground Pin

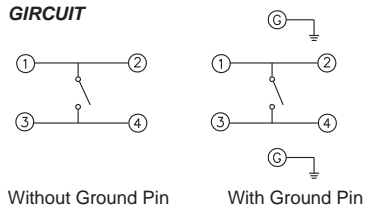


P.C.B. LAYOUT

TME-533-Q

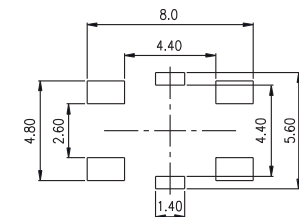


CIRCUIT



Without Ground Pin

With Ground Pin



P.C.B. LAYOUT

TME-523-Q