



 **WEiPU[®] Connector**



Connect to put the new realm of technique

WEIPU Electrical Appliance Co.,Ltd was established in 1996, specialize in R&D and manufacturing the industrial connectors , we are the member of “National Electrical Appliances Standardization Technical Committees ” and one of the members to draft the national standard for industrial connectors GB11918-2014.



威浦工厂实景
Factory premises

威浦局部厂区
Workshop building



In-house Test Lab Equipment



Vibration Test Equipment



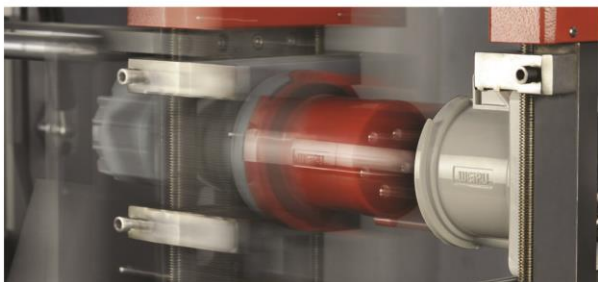
Electric Current Break Test Equipment



Hot And Cold Test Chamber



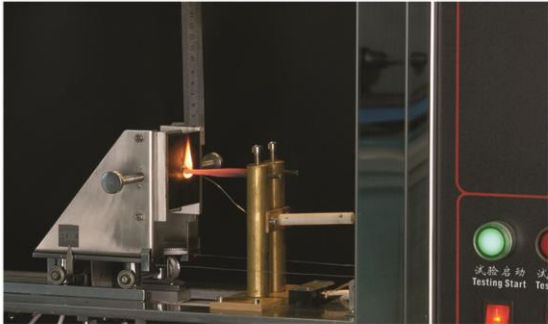
Waterproof Ip Rating Test Chamber

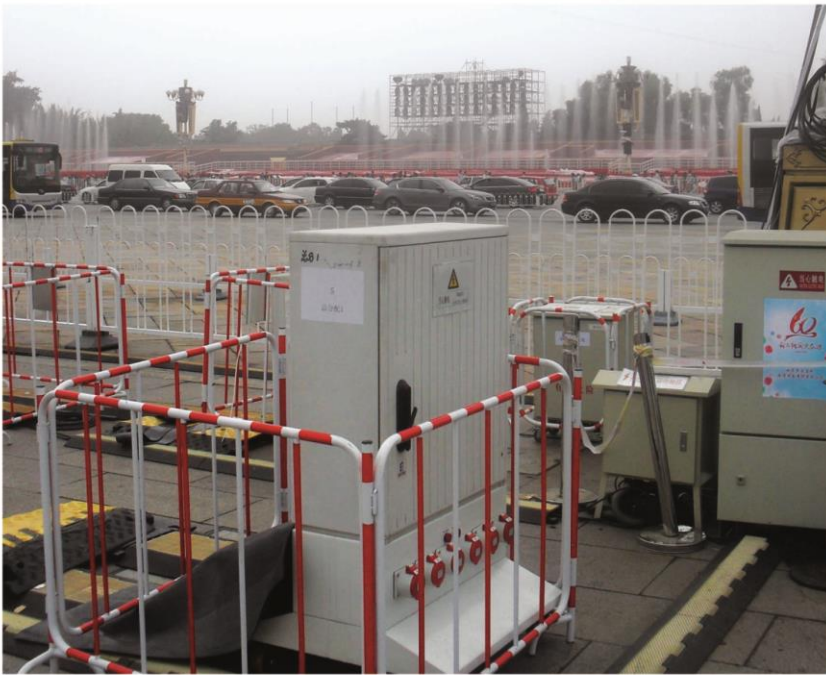


Mating Cycle Life Time Test Machine

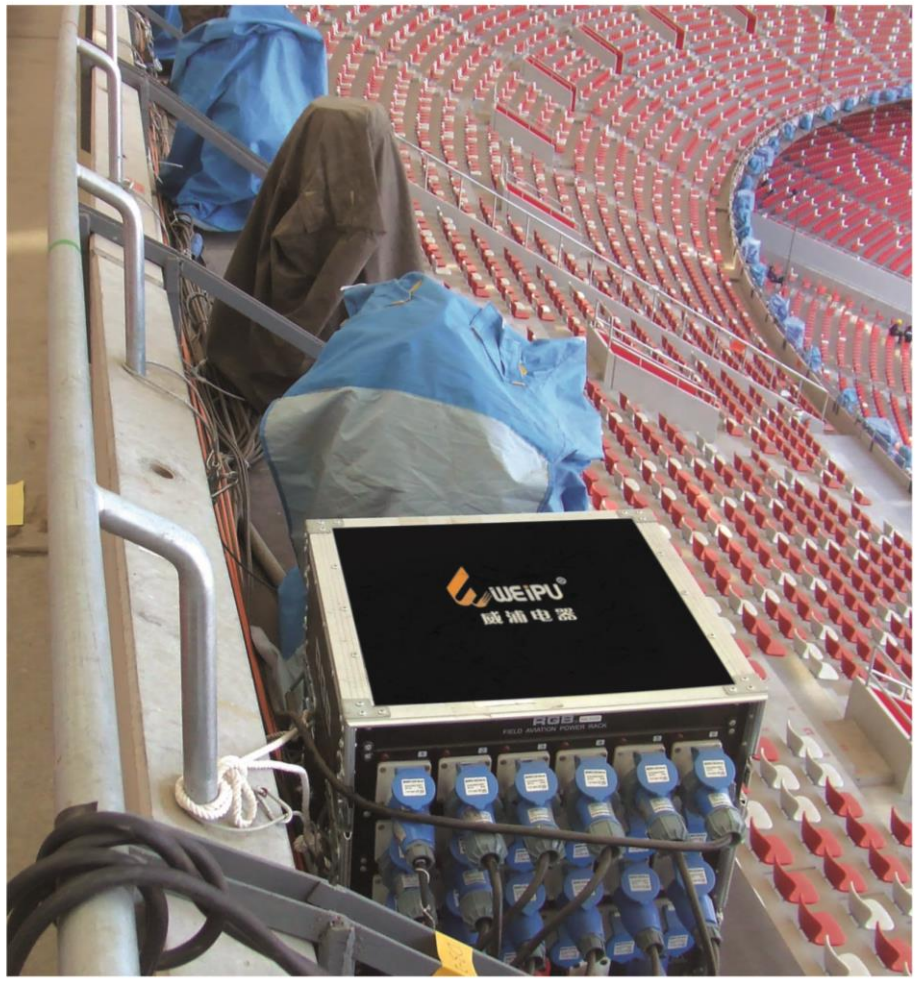


Accurate Size Test Equipment











Index

Series **Page**

Plug

1-2

Plug IP44/IP67



Socket

3-8

Panel Mount Socket IP44/IP67
Angled Panel Mount Socket IP44/IP67



Surface Mount Socket

7-10

Surface Mount Socket IP44/IP67



Panel Mount Inlet

9-12

Panel Mount Inlet IP44/IP67



Wall Mount Inlet

11-12

Wall Mount Inlet IP44/IP67



Series

Page

Cable Connector

13-14

Cable Connector IP44/IP67



Schuko Connector

15-16

Socket
Schuko Connector IP44
Pułg IP44



WH400A Series

17

WH400A Series IP67



Combined Distribution Boxes

19-27

Combined Distribution Boxes IP44 / IP66



Portable Distribution Box

29-33

Portable Distribution Box IP44 / IP66



Series

Page

Distribution Box With Cable Reel

35-36

Distribution Box With Cable Reel IP 44/IP67



Rubber Distribution Box

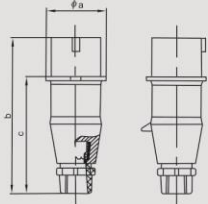
37-40

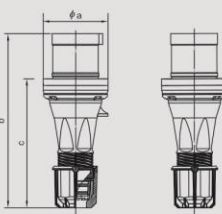
Rubber Distribution Box IP44/IP55/IP66

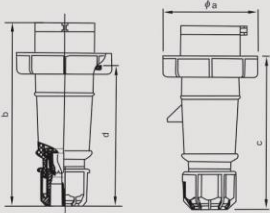


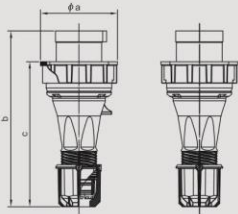
PLUG IP44 、 IP67

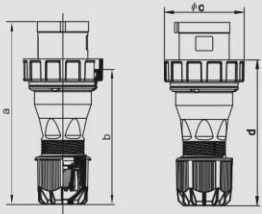
CEE/IEC 60309-1 60309-2
GB/T11918.1 GB/T11918.2

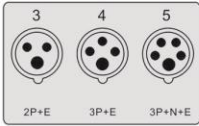
| | | | | | | | |
|---|---------------------------------|--|----------|----------|----------|----------|----------|
|  | Amp. | 16 | | | 32 | | |
| | Poles | 3 | 4 | 5 | 3 | 4 | 5 |
| | a | 51 | 58 | 64 | 66 | 66 | 73 |
| | b | 142 | 145 | 146 | 182 | 182 | 182 |
| | c | 105 | 108 | 109 | 136 | 136 | 136 |
| | Min wire size(mm ²) | 1.5 | 1.5 | 1.5 | 2.5 | 2.5 | 2.5 |
| | Max wire size(mm ²) | 4 | 4 | 4 | 10 | 10 | 10 |
| | Cable outer diameter range | 10-13 | 10-13 | 10-13 | 13-19 | 13-19 | 13-19 |
| | Plug | <ul style="list-style-type: none"> ● Clamping cable fix ● IP44 ▲ | | | | | |

| | | | | | | | |
|--|---------------------------------|--|----------|----------|--|--|--|
|  | Amp. | 63 | | | | | |
| | Poles | 3 | 4 | 5 | | | |
| | a | 98 | 98 | 98 | | | |
| | b | 260 | 260 | 260 | | | |
| | c | 192 | 192 | 192 | | | |
| | Min wire size(mm ²) | 10 | 10 | 10 | | | |
| | Max wire size(mm ²) | 25 | 25 | 25 | | | |
| | Cable outer diameter range | 20-31 | 20-31 | 20-31 | | | |
| | Plug | <ul style="list-style-type: none"> ● Clamping cable fix ● IP44 ▲ | | | | | |

| | | | | | | | |
|---|---------------------------------|---|----------|----------|----------|----------|----------|
|  | Amp. | 16 | | | 32 | | |
| | Poles | 3 | 4 | 5 | 3 | 4 | 5 |
| | a | 70.5 | 78.2 | 87.2 | 94 | 94 | 101 |
| | b | 151.5 | 151.5 | 167 | 197 | 197 | 197 |
| | c | 126 | 126 | 138 | 163 | 163 | 163 |
| | d | 119.5 | 119.5 | 129 | 150 | 150 | 150 |
| | Min wire size(mm ²) | 1.5 | 1.5 | 1.5 | 2.5 | 2.5 | 2.5 |
| | Max wire size(mm ²) | 4 | 4 | 4 | 10 | 10 | 10 |
| | Cable outer diameter range | 10-14 | 10-14 | 10-14 | 13-19 | 13-19 | 13-19 |
| | Plug | <ul style="list-style-type: none"> ● Clamping cable fix ● IP67 ▲▲ | | | | | |

| | | | | | | | |
|---|---------------------------------|---|----------|----------|--|--|--|
|  | Amp. | 63 | | | | | |
| | Poles | 3 | 4 | 5 | | | |
| | a | 113.5 | 113.5 | 113.5 | | | |
| | b | 260 | 260 | 260 | | | |
| | c | 195 | 195 | 195 | | | |
| | Min wire size(mm ²) | 6 | 6 | 6 | | | |
| | Max wire size(mm ²) | 25 | 25 | 25 | | | |
| | Cable outer diameter range | 20-31 | 20-31 | 20-31 | | | |
| | Plug | <ul style="list-style-type: none"> ● Clamping cable fix ● IP67 ▲▲ | | | | | |

| | | | | | | | |
|---|---------------------------------|---|----------|----------|--|--|--|
|  | Amp. | 125 | | | | | |
| | Poles | 3 | 4 | 5 | | | |
| | a | 280 | 280 | 280 | | | |
| | b | 213.6 | 213.6 | 213.6 | | | |
| | c | 128 | 128 | 128 | | | |
| | d | 225 | 225 | 225 | | | |
| | Min wire size(mm ²) | 25 | 25 | 25 | | | |
| | Max wire size(mm ²) | 70 | 70 | 70 | | | |
| | Cable outer diameter range | 30-47 | 30-47 | 30-47 | | | |
| | Plug | <ul style="list-style-type: none"> ● Clamping cable fix ● IP67 ▲▲ | | | | | |



Amps Poles

110V
50-60Hz

230V
50-60Hz

400V
50-60Hz

500V
50-60Hz

100-300
Hz
>50V

300-500
Hz
>50V

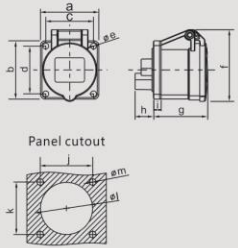
Pack unit

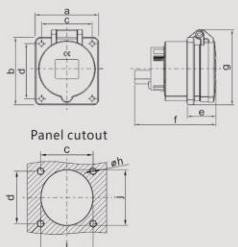
Net weight

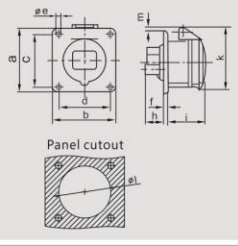
3pole 4pole 5pole 3pole 4pole 5pole 3pole 4pole 5pole 3pole 4pole 5pole 3pole 4pole 5pole 3pole 4pole 5pole

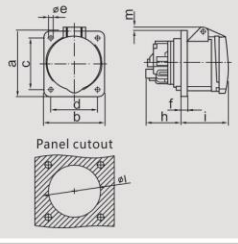
| | A | P | TYP | | | | | | | pcs/package | g/pcs | |
|-------|----------|----------|------------|------------|------------|------|------|------|------|-------------|-------|--|
| | 16 | 3 | 2314 | 231 | 2319 | 2317 | 2310 | 2312 | 10 | 135 | | |
| | | 4 | 2334 | 233 | 2337 | 2330 | 2332 | 10 | 150 | | | |
| | | 5 | 2354 | 235 | 2357 | 2350 | 2352 | 10 | 185 | | | |
| | 32 | 3 | 2814 | 281 | 281900 | 2817 | 2810 | 2812 | 10 | 230 | | |
| | | 4 | 2834 | 283 | 2837 | 2830 | 2832 | 10 | 250 | | | |
| | | 5 | 2854 | 285 | 2857 | 2850 | 2852 | 10 | 285 | | | |
| <hr/> | | | | | | | | | | | | |
| | 63 | 3 | 6414 | 641 | 6419 | 6417 | 6410 | 6412 | 5 | 760 | | |
| | | 4 | 6434 | 643 | 6437 | 6430 | 6432 | 5 | 830 | | | |
| | | 5 | 6454 | 645 | 6457 | 6450 | 6452 | 5 | 850 | | | |
| | <hr/> | | | | | | | | | | | |
| | | 16 | 3 | 1714 | 171 | 1719 | 1717 | 1710 | 1712 | 10 | 160 | |
| | | | 4 | 1734 | 173 | 1737 | 1730 | 1732 | 10 | 180 | | |
| 5 | | | 1754 | 175 | 1757 | 1750 | 1752 | 10 | 210 | | | |
| 32 | | 3 | 3714 | 371 | 371900 | 3717 | 3710 | 3712 | 10 | 300 | | |
| | | 4 | 3734 | 373 | 3737 | 3730 | 3732 | 10 | 310 | | | |
| | | 5 | 3754 | 375 | 3757 | 3750 | 3752 | 10 | 330 | | | |
| <hr/> | | | | | | | | | | | | |
| | 63 | 3 | 6714 | 671 | 6719 | 6717 | 6710 | 6712 | 5 | 770 | | |
| | | 4 | 6734 | 673 | 6737 | 6730 | 6732 | 5 | 840 | | | |
| | | 5 | 6754 | 675 | 6757 | 6750 | 6752 | 5 | 860 | | | |
| | <hr/> | | | | | | | | | | | |
| | | 125 | 3 | 9714 | 971 | 9719 | 9717 | 9710 | 9712 | 3 | 1019 | |
| | | | 4 | 9734 | 973 | 9737 | 9730 | 9732 | 3 | 1131 | | |
| 5 | | | 9754 | 975 | 9757 | 9750 | 9752 | 3 | 1243 | | | |

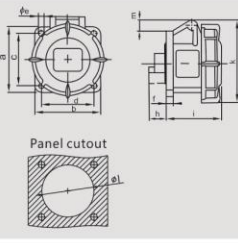
Panel mount socket IP44、IP67

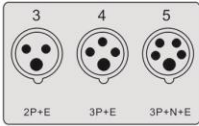
| | | | | | | |
|---|---------------------------------|----------|--|--|--|---|
|  | Amp. | 16 | | | | Panel mount socket ● Flange : 16A3P : 55.5mm×55.5mm ● IP44 ▲ |
| | Poles | 3 | | | | |
| | a | 55.5 | | | | |
| | b | 55.5 | | | | |
| | c | 45.5 | | | | |
| | d | 45.5 | | | | |
| | e | 5.5 | | | | |
| | f | 67.6 | | | | |
| | g | 50.8 | | | | |
| | h | 17.6 | | | | |
| | i | 7 | | | | |
| | j | 45.5 | | | | |
| | k | 45.5 | | | | |
| | l | 45 | | | | |
| | m | 5.5 | | | | |
| | Min wire size(mm ²) | 1.5 | | | | |
| | Max wire size(mm ²) | 4 | | | | |

| | | | | | | |
|--|---------------------------------|----------|----------|----------|------|---|
|  | Amp. | 16 | 32 | | | Panel mount socket ● Flange : 16A3P : 55mm×60mm 32A3P, 4P, 5P: 75mm×80mm ● IP44 ▲ |
| | Poles | 3 | 4 | 5 | | |
| | a | 55 | 75 | 75 | 75 | |
| | b | 60 | 80 | 80 | 80 | |
| | c | 45 | 60 | 60 | 60 | |
| | d | 50 | 65 | 65 | 65 | |
| | e | 32.3 | 33.8 | 33.8 | 34.3 | |
| | f | 69 | 96.3 | 96.3 | 79.3 | |
| | g | 70.5 | 89 | 89 | 93.3 | |
| | h | 5.5 | 5.5 | 5.5 | 5.5 | |
| | i | 43 | 66.5 | 66.5 | 72 | |
| | j | 53 | 71.5 | 71.5 | 77.5 | |
| | Min wire size(mm ²) | 1.5 | 2.5 | 2.5 | 2.5 | |
| | Max wire size(mm ²) | 4 | 6 | 6 | 6 | |

| | | | | | | | |
|---|---------------------------------|----------|----------|----------|----------|---|----------|
|  | Amp. | 16 | 32 | | | Panel mount socket ● Flange : 16A、3P、4P:65mmX65mm Others:75mmX75mm ● IP44 ▲ | |
| | Poles | 3 | 4 | 5 | 3 | | 4 |
| | a | 65 | 65 | 75 | 75 | 75 | 75 |
| | b | 65 | 65 | 75 | 75 | 75 | 75 |
| | c | 52 | 52 | 60.5 | 60.5 | 60.5 | 60.5 |
| | d | 52 | 52 | 60.5 | 60.5 | 60.5 | 60.5 |
| | e | 5.5 | 5.5 | 5.5 | 5.5 | 5.5 | 5.5 |
| | f | 7 | 7 | 7 | 8 | 8 | 8 |
| | h | 17 | 26 | 23 | 36 | 36 | 19 |
| | i | 51 | 53 | 53 | 53 | 53 | 53 |
| | k | 70 | 80 | 85 | 90 | 90 | 98 |
| | l | 45 | 45 | 55 | 60 | 60 | 60 |
| | m | 8.5 | 12 | 15.5 | 13 | 13 | 17 |
| | Min wire size(mm ²) | 1.5 | 1.5 | 1.5 | 2.5 | 2.5 | 2.5 |
| | Max wire size(mm ²) | 4 | 4 | 4 | 6 | 6 | 6 |

| | | | | | | |
|---|---------------------------------|----------|----------|----------|--|---|
|  | Amp. | 63 | | | | Panel mount socket ● Flange : 107mmX100mm ● IP44 ▲ |
| | Poles | 3 | 4 | 5 | | |
| | a | 107 | 107 | 107 | | |
| | b | 100 | 100 | 100 | | |
| | c | 85 | 85 | 85 | | |
| | d | 77 | 77 | 77 | | |
| | e | 6.5 | 6.5 | 6.5 | | |
| | f | 12 | 12 | 12 | | |
| | h | 56 | 56 | 56 | | |
| | i | 77 | 77 | 77 | | |
| | l | 88 | 88 | 88 | | |
| | m | 7 | 7 | 7 | | |
| | Min wire size(mm ²) | 6 | 6 | 6 | | |
| | Max wire size(mm ²) | 25 | 25 | 25 | | |

| | | | | | | | |
|---|---------------------------------|----------|----------|----------|----------|--|----------|
|  | Amp. | 16 | 32 | | | Panel mount socket ● Flange : 16A、3P、4P:65mmX65mm Others:75mmX75mm ● IP67 ▲▲ | |
| | Poles | 3 | 4 | 5 | 3 | | 4 |
| | a | 65 | 65 | 75 | 75 | 75 | 75 |
| | b | 65 | 65 | 75 | 75 | 75 | 75 |
| | c | 52 | 52 | 60 | 60 | 60 | 60 |
| | d | 52 | 52 | 60 | 60 | 60 | 60 |
| | e | 5.5 | 5.5 | 5.5 | 5.5 | 5.5 | 5.5 |
| | f | 7 | 7 | 7 | 8 | 8 | 8 |
| | h | 17 | 26 | 23 | 36 | 36 | 19 |
| | i | 56 | 56 | 58 | 66 | 66 | 66 |
| | m | 10.5 | 16 | 13 | 12 | 12 | 16.5 |
| | k | 82 | 90 | 98 | 101 | 101 | 108 |
| | l | 45 | 45 | 55 | 60 | 60 | 60 |
| | Min wire size(mm ²) | 1.5 | 1.5 | 1.5 | 2.5 | 2.5 | 2.5 |
| | Max wire size(mm ²) | 4 | 4 | 4 | 6 | 6 | 6 |



Amps Poles

110V
50-60Hz

230V
50-60Hz

400V
50-60Hz

500V
50-60Hz






100-300
Hz
>50V

300-500
Hz
>50V

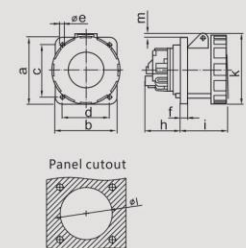
Pack unit

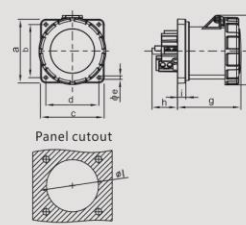
Net weight

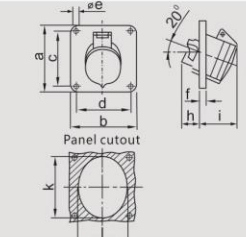
3pole 4pole 5pole 3pole 4pole 5pole 3pole 4pole 5pole 3pole 4pole 5pole 3pole 4pole 5pole 3pole 4pole 5pole

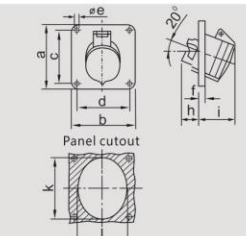
| | A | P | TYP | ■ | ■ | ■ | ■ | ■ | ■ | pcs/package | g/pcs |
|---|----|---|-------|-------------|-------------|-------|-------|-------|----|-------------|-------|
|  | 16 | 3 | 51014 | 5101 | 51019 | 51017 | 51010 | 51012 | 10 | 97 | |
| | | | | ■ | ■ | ■ | ■ | ■ | | | |
|  | 16 | 3 | 46014 | 4601 | 46019 | 46017 | 46010 | 46012 | 10 | 93 | |
| | | 3 | 48014 | 4801 | 48019 | 48017 | 48010 | 48012 | 10 | 184 | |
| | 32 | 4 | 48184 | 48189 | 4818 | 48187 | 48180 | 48182 | 10 | 197 | |
| | | 5 | 48234 | 48239 | 4823 | 48237 | 48230 | 48232 | 10 | 217 | |
| | | | | ■ | ■ | ■ | ■ | ■ | | | |
|  | 16 | 3 | 56014 | 5601 | 56019 | 56017 | 56010 | 56012 | 10 | 100 | |
| | | 4 | 56184 | 56189 | 5618 | 56187 | 56180 | 56182 | 10 | 135 | |
| | | 5 | 56234 | 56239 | 5623 | 56237 | 56230 | 56232 | 10 | 155 | |
| | 32 | 3 | 58014 | 5801 | 58019 | 58017 | 58010 | 58012 | 10 | 190 | |
| | | 4 | 58184 | 58189 | 5818 | 58187 | 58180 | 58182 | 10 | 205 | |
| | | 5 | 58234 | 58239 | 5823 | 58237 | 58230 | 58232 | 10 | 210 | |
| | | | | ■ | ■ | ■ | ■ | ■ | | | |
|  | | 3 | 59014 | 5901 | 59019 | 59017 | 59010 | 59012 | 5 | 550 | |
| | 63 | 4 | 59184 | 59189 | 5918 | 59187 | 59180 | 59182 | 5 | 610 | |
| | | 5 | 59234 | 59239 | 5923 | 59237 | 59230 | 59232 | 5 | 650 | |
| | | | | ■ | ■ | ■ | ■ | ■ | | | |
|  | 16 | 3 | 56024 | 5602 | 56029 | 56027 | 56020 | 56022 | 10 | 130 | |
| | | 4 | 56194 | 56199 | 5619 | 56197 | 56190 | 56192 | 10 | 160 | |
| | | 5 | 56244 | 56249 | 5624 | 56247 | 56240 | 56242 | 10 | 190 | |
| | | 3 | 58024 | 5802 | 58029 | 58027 | 58020 | 58022 | 10 | 250 | |
| | 32 | 4 | 58194 | 58199 | 5819 | 58197 | 58190 | 58192 | 10 | 260 | |
| | | 5 | 58244 | 58249 | 5824 | 58247 | 58240 | 58242 | 10 | 270 | |

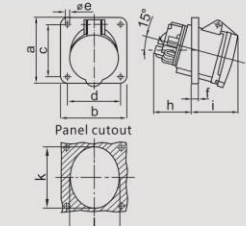
Angled panel mount socket IP44 , IP67

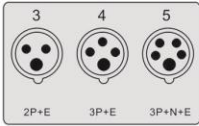
| | | | | | |
|---|--------------|----------|----------|----------|---|
|  | Amp. | 63 | | | Panel mount socket ● Flange: 107mmX100mm ● IP67 ▲▲ |
| | Poles | 3 | 4 | 5 | |
| | a | 107 | 107 | 107 | |
| | b | 100 | 100 | 100 | |
| | c | 85 | 85 | 85 | |
| | d | 77 | 77 | 77 | |
| | e | 6.5 | 6.5 | 6.5 | |
| | f | 12 | 12 | 12 | |
| | h | 56.5 | 56.5 | 56.5 | |
| | i | 76 | 76 | 76 | |
| | k | 113 | 113 | 113 | |
| | l | 88 | 88 | 88 | |
| m | 7 | 7 | 7 | | |
| Min wire size(mm ²) | 6 | 6 | 6 | | |
| Max wire size(mm ²) | 25 | 25 | 25 | | |

| | | | | | |
|--|--------------|----------|----------|----------|---|
|  | Amp. | 125 | | | Panel mount socket ● Flange: 120mmX120mm ● IP67 ▲▲ |
| | Poles | 3 | 4 | 5 | |
| | a | 120 | 120 | 120 | |
| | b | 100 | 100 | 100 | |
| | c | 120 | 120 | 120 | |
| | d | 100 | 100 | 100 | |
| | e | 6.5 | 6.5 | 6.5 | |
| | f | 130 | 130 | 130 | |
| | g | 118.2 | 118.2 | 118.2 | |
| | h | 47.7 | 47.7 | 47.7 | |
| | i | 15.4 | 15.4 | 15.4 | |
| | j | 105 | 105 | 105 | |
| Min wire size(mm ²) | 25 | 25 | 25 | | |
| Max wire size(mm ²) | 70 | 70 | 70 | | |

| | | | | | | | | |
|---|--------------|----------|----------|----------|----------|----------|----------|--|
|  | Amp. | 16 | | | 32 | | | Angled panel mount socket ● 20° Angled ● Flange: 16A, 3P:74mmX62mm Others:100mmX92mm ● IP44 ▲ |
| | Poles | 3 | 4 | 5 | 3 | 4 | 5 | |
| | a | 74 | 100 | 100 | 100 | 100 | 100 | |
| | b | 62 | 92 | 92 | 92 | 92 | 92 | |
| | c | 60 | 85 | 85 | 85 | 85 | 85 | |
| | d | 52 | 77 | 77 | 77 | 77 | 77 | |
| | e | 5.5 | 5.5 | 5.5 | 5.5 | 5.5 | 5.5 | |
| | f | 8 | 8 | 8 | 8 | 8 | 8 | |
| | h | 30 | 30 | 30 | 47 | 49 | 34 | |
| | i | 48 | 55 | 55 | 63 | 63 | 60 | |
| | k | 57 | 65 | 70 | 75 | 75 | 78 | |
| | l | 52 | 65 | 70 | 75 | 75 | 78 | |
| Min wire size(mm ²) | 1.5 | 1.5 | 1.5 | 2.5 | 2.5 | 2.5 | | |
| Max wire size(mm ²) | 4 | 4 | 4 | 6 | 6 | 6 | | |

| | | | | | | | | |
|---|--------------|----------|----------|----------|----------|----------|----------|---|
|  | Amp. | 16 | | | 32 | | | Angled panel mount socket ● 20° Angled ● Flange: 85mmX85mm ● IP44 ▲ |
| | Poles | 3 | 4 | 5 | 3 | 4 | 5 | |
| | a | 85 | 85 | 85 | 85 | 85 | 85 | |
| | b | 85 | 85 | 85 | 85 | 85 | 85 | |
| | c | 70 | 70 | 70 | 70 | 70 | 70 | |
| | d | 70 | 70 | 70 | 70 | 70 | 70 | |
| | e | 5.5 | 5.5 | 5.5 | 5.5 | 5.5 | 5.5 | |
| | f | 8 | 8 | 8 | 8 | 8 | 8 | |
| | h | 30 | 30 | 29 | 34 | 42 | 34 | |
| | i | 48 | 50 | 55 | 58 | 58 | 60 | |
| | k | 57 | 65 | 70 | 75 | 75 | 78 | |
| | l | 52 | 65 | 70 | 75 | 75 | 78 | |
| Min wire size(mm ²) | 1.5 | 1.5 | 1.5 | 2.5 | 2.5 | 2.5 | | |
| Max wire size(mm ²) | 4 | 4 | 4 | 6 | 6 | 6 | | |

| | | | | | |
|---|---------------------------------|----------|----------|----------|---|
|  | Amp. | 63 | | | Angled panel mount socket ● 15° Angled ● Flange: 114mmX114mm ● IP44 ▲ |
| | Poles | 3 | 4 | 5 | |
| | a | 114 | 114 | 114 | |
| | b | 114 | 114 | 114 | |
| | c | 90 | 90 | 90 | |
| | d | 90 | 90 | 90 | |
| | e | 6.5 | 6.5 | 6.5 | |
| | f | 12 | 12 | 12 | |
| | h | 65 | 65 | 58.5 | |
| | i | 81 | 81 | 81 | |
| | l | 92 | 92 | 92 | |
| | Min wire size(mm ²) | 6 | 6 | 6 | |
| Max wire size(mm ²) | 25 | 25 | 25 | | |



Amps Poles

110V
50-60Hz

230V
50-60Hz

400V
50-60Hz

500V
50-60Hz

100-300
Hz
>50V

300-500
Hz
>50V

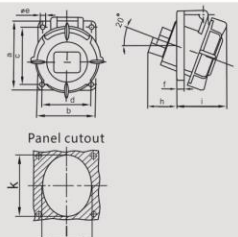
3pole 4pole 5pole 3pole 4pole 5pole 3pole 4pole 5pole 3pole 4pole 5pole 3pole 4pole 5pole 3pole 4pole 5pole

Pack unit

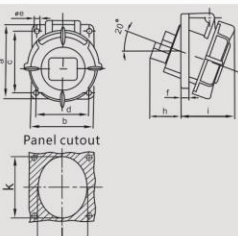
Net weight

| | A | P | TYP | ■ | ■ | ■ | ■ | ■ | ■ | 件数 pcs/package | 克/件 g/pcs |
|--|-----|---|-------|-------------|-------------|-------|-------|-------|----|-------------------|--------------|
| | | 3 | 59024 | 5902 | 59029 | 59027 | 59020 | 59022 | 5 | 570 | |
| | 63 | 4 | 59194 | 59199 | 5919 | 59197 | 59190 | 59192 | 5 | 630 | |
| | | 5 | 59244 | 59249 | 5924 | 59247 | 59240 | 59242 | 5 | 670 | |
| | | 3 | 52024 | 5202 | 52029 | 52027 | 52020 | 52022 | 3 | 986 | |
| | 125 | 4 | 52194 | 52199 | 5219 | 52197 | 52190 | 52192 | 3 | 1101 | |
| | | 5 | 52244 | 52249 | 5224 | 52247 | 52240 | 52242 | 3 | 1216 | |
| | 16 | 3 | 36014 | 3601 | 36019 | 36017 | 36010 | 36012 | 10 | 105 | |
| | | 4 | 36184 | 36189 | 3618 | 36187 | 36180 | 36182 | 10 | 160 | |
| | | 5 | 36234 | 36239 | 3623 | 36237 | 36230 | 36232 | 10 | 180 | |
| | 32 | 3 | 38014 | 3801 | 38019 | 38017 | 38010 | 38012 | 10 | 200 | |
| | | 4 | 38184 | 38189 | 3818 | 38187 | 38180 | 38182 | 10 | 220 | |
| | | 5 | 38234 | 38239 | 3823 | 38237 | 38230 | 38232 | 10 | 225 | |
| | 16 | 3 | 35014 | 3501 | 35019 | 35017 | 35010 | 35012 | 10 | 115 | |
| | | 4 | 35184 | 35189 | 3518 | 35187 | 35180 | 35182 | 10 | 150 | |
| | | 5 | 35234 | 35239 | 3523 | 35237 | 35230 | 35232 | 10 | 170 | |
| | 32 | 3 | 37014 | 3701 | 37019 | 37017 | 37010 | 37012 | 10 | 205 | |
| | | 4 | 37184 | 37189 | 3718 | 37187 | 37180 | 37182 | 10 | 210 | |
| | | 5 | 37234 | 37239 | 3723 | 37237 | 37230 | 37232 | 10 | 215 | |
| | | 3 | 39014 | 3901 | 39019 | 39017 | 39010 | 39012 | 5 | 600 | |
| | 63 | 4 | 39184 | 39189 | 3918 | 39187 | 39180 | 39182 | 5 | 650 | |
| | | 5 | 39234 | 39239 | 3923 | 39237 | 39230 | 39232 | 5 | 680 | |

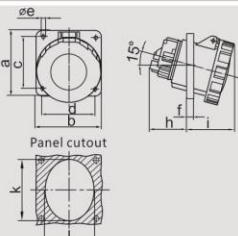
Angled panel mount socket Surface mount socket IP44、IP67

| | | | | | | | |
|---|---------------------------------|----------|----------|----------|----------|----------|----------|
|  | Amp. | 16 | | | 32 | | |
| | Poles | 3 | 4 | 5 | 3 | 4 | 5 |
| | a | 74 | 100 | 100 | 100 | 100 | 100 |
| | b | 62 | 92 | 92 | 92 | 92 | 92 |
| | c | 60 | 85 | 85 | 85 | 85 | 85 |
| | d | 52 | 77 | 77 | 77 | 77 | 77 |
| | e | 5.5 | 5.5 | 5.5 | 5.5 | 5.5 | 5.5 |
| | f | 8 | 8 | 8 | 8 | 8 | 8 |
| | h | 30 | 30 | 29 | 47 | 49 | 34 |
| | i | 56 | 56 | 60 | 73 | 73 | 71 |
| | k | 57 | 65 | 70 | 75 | 75 | 78 |
| | l | 52 | 65 | 70 | 75 | 75 | 78 |
| | Min wire size(mm ²) | 1.5 | 1.5 | 1.5 | 2.5 | 2.5 | 2.5 |
| | Max wire size(mm ²) | 4 | 4 | 4 | 6 | 6 | 6 |

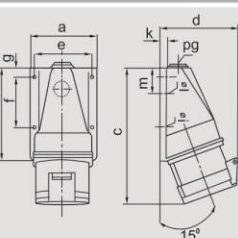
- Angled panel mount socket**
- 20° Angled
 - Flange: 16A, 3P:74mmX62mm
 - Rest: 100mmX92mm
 - IP67 ▲▲

| | | | | | | | |
|---|---------------------------------|----------|----------|----------|----------|----------|----------|
|  | Amp. | 16 | | | 32 | | |
| | Poles | 3 | 4 | 5 | 3 | 4 | 5 |
| | a | 85 | 85 | 85 | 85 | 85 | 85 |
| | b | 85 | 85 | 85 | 85 | 85 | 85 |
| | c | 70 | 70 | 70 | 70 | 70 | 70 |
| | d | 70 | 70 | 70 | 70 | 70 | 70 |
| | e | 5.5 | 5.5 | 5.5 | 5.5 | 5.5 | 5.5 |
| | f | 8 | 8 | 8 | 8 | 8 | 8 |
| | h | 30 | 30 | 29 | 34 | 42 | 34 |
| | i | 56 | 64 | 66 | 73 | 73 | 71 |
| | k | 57 | 65 | 70 | 75 | 75 | 78 |
| | l | 52 | 65 | 70 | 75 | 75 | 78 |
| | Min wire size(mm ²) | 1.5 | 1.5 | 1.5 | 2.5 | 2.5 | 2.5 |
| | Max wire size(mm ²) | 4 | 4 | 4 | 6 | 6 | 6 |

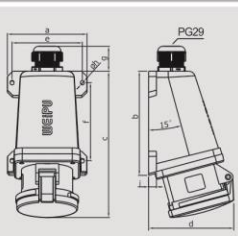
- Angled panel mount socket**
- 20° Angled
 - Flange: 85mmX85mm
 - IP67 ▲▲

| | | | | | | | |
|---|---------------------------------|----------|----------|----------|--|--|--|
|  | Amp. | 63 | | | | | |
| | Poles | 3 | 4 | 5 | | | |
| | a | 114 | 114 | 114 | | | |
| | b | 114 | 114 | 114 | | | |
| | c | 90 | 90 | 90 | | | |
| | d | 90 | 90 | 90 | | | |
| | e | 6.5 | 6.5 | 6.5 | | | |
| | f | 12 | 12 | 12 | | | |
| | h | 65 | 65 | 65 | | | |
| | i | 80 | 80 | 80 | | | |
| | k | 92 | 92 | 92 | | | |
| | l | 92 | 92 | 92 | | | |
| | Min wire size(mm ²) | 6 | 6 | 6 | | | |
| | Max wire size(mm ²) | 25 | 25 | 25 | | | |

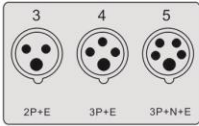
- Angled panel mount socket**
- 15° Angled
 - Flange: 114mmX114mm
 - IP67 ▲▲

| | | | | | | | |
|---|---------------------------------|----------|----------|----------|----------|----------|----------|
|  | Amp. | 16 | | | 32 | | |
| | Poles | 3 | 4 | 5 | 3 | 4 | 5 |
| | a | 71 | 71 | 81 | 81 | 81 | 81 |
| | b | 83 | 83 | 102 | 102 | 102 | 102 |
| | c | 128 | 130 | 147 | 157 | 157 | 157 |
| | d | 78 | 82 | 90 | 94 | 94 | 98 |
| | e | 60 | 60 | 70 | 70 | 70 | 70 |
| | f | 33.5 | 33.5 | 47.5 | 47.5 | 47.5 | 47.5 |
| | g | 13 | 13 | 12.5 | 12.5 | 12.5 | 12.5 |
| | i | 5.3 | 5.3 | 5.3 | 5.3 | 5.3 | 5.3 |
| | k | 8.5 | 8.5 | 8.5 | 8.5 | 8.5 | 8.5 |
| | l | 23 | 23 | 23 | 23 | 23 | 23 |
| | m | 37 | 37 | 37 | 33 | 33 | 33 |
| | Min wire size(mm ²) | 1.5 | 1.5 | 1.5 | 2.5 | 2.5 | 2.5 |
| | Max wire size(mm ²) | 4 | 4 | 4 | 6 | 6 | 6 |

- Surface mount socket**
- Cable inlet: One top (opening)
One bottom hole(closed)
 - IP44 ▲

| | | | | | | | |
|---|---------------------------------|----------|----------|----------|--|--|--|
|  | Amp. | 63 | | | | | |
| | Poles | 3 | 4 | 5 | | | |
| | a | 122.5 | 122.5 | 122.5 | | | |
| | b | 160.2 | 160.2 | 160.2 | | | |
| | c | 225.5 | 225.5 | 225.5 | | | |
| | d | 130.3 | 130.3 | 130.3 | | | |
| | e | 108 | 108 | 108 | | | |
| | f | 120 | 120 | 120 | | | |
| | g | 39.4 | 39.4 | 39.4 | | | |
| | h | 6 | 6 | 6 | | | |
| | i | 12 | 12 | 12 | | | |
| | Min wire size(mm ²) | 6 | 6 | 6 | | | |
| | Max wire size(mm ²) | 25 | 25 | 25 | | | |

- Surface mount socket**
- Cable inlet: in tail (opening)
One bottom hole(closed)
 - More wiring space
 - IP44 ▲



Amps Poles

110V
50-60Hz

230V
50-60Hz

400V
50-60Hz

500V
50-60Hz

100-300
Hz
>50V

300-500
Hz
>50V

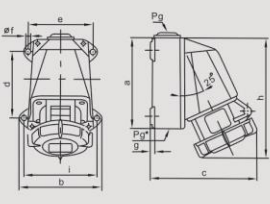
Pack unit

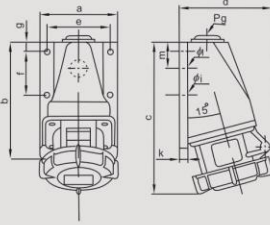
Net weight

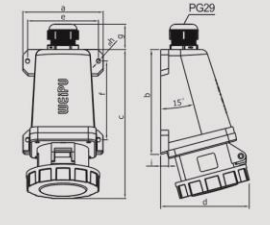
3pole 4pole 5pole 3pole 4pole 5pole 3pole 4pole 5pole 3pole 4pole 5pole 3pole 4pole 5pole 3pole 4pole 5pole
4h 4h 4h 6h 9h 9h 9h 6h 6h 7h 7h 7h 10h 10h 10h 2h 2h 2h

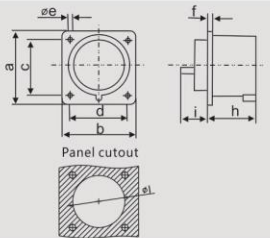
| | A | P | TYP | ■ | ■ | ■ | ■ | ■ | ■ | pcs/package | g/pcs |
|-------------|----|---|-------|-------------|-------------|-------|-------|-------|----|-------------|-------|
| | 16 | 3 | 36024 | 3602 | 36029 | 36027 | 36020 | 36022 | 10 | 130 | |
| | | 4 | 36194 | 36199 | 3619 | 36197 | 36190 | 36192 | 10 | 190 | |
| | | 5 | 36244 | 36249 | 3624 | 36247 | 36240 | 36242 | 10 | 220 | |
| | 32 | 3 | 38024 | 3802 | 38029 | 38027 | 38020 | 38022 | 10 | 270 | |
| | | 4 | 38094 | 38199 | 3819 | 38097 | 38190 | 38192 | 10 | 290 | |
| | | 5 | 38244 | 38249 | 3824 | 38247 | 38240 | 38242 | 10 | 290 | |
| ■ ■ ■ ■ ■ ■ | | | | | | | | | | | |
| | 16 | 3 | 35024 | 3502 | 35029 | 35027 | 35020 | 35022 | 10 | 135 | |
| | | 4 | 35194 | 35199 | 3519 | 35197 | 35190 | 35192 | 10 | 180 | |
| | | 5 | 35244 | 35249 | 3524 | 35247 | 35240 | 35242 | 10 | 210 | |
| | 32 | 3 | 37024 | 3702 | 37029 | 37027 | 37020 | 37022 | 10 | 260 | |
| | | 4 | 37194 | 37199 | 3719 | 37197 | 37190 | 37192 | 10 | 280 | |
| | | 5 | 37244 | 37249 | 3724 | 37247 | 37240 | 37242 | 10 | 285 | |
| ■ ■ ■ ■ ■ ■ | | | | | | | | | | | |
| | | 3 | 39024 | 3902 | 39029 | 39027 | 39020 | 39022 | 5 | 620 | |
| | 63 | 4 | 39194 | 39199 | 3919 | 39197 | 39190 | 39192 | 5 | 670 | |
| | | 5 | 39244 | 39249 | 3924 | 39247 | 39240 | 39242 | 5 | 700 | |
| ■ ■ ■ ■ ■ ■ | | | | | | | | | | | |
| | 16 | 3 | 66014 | 6601 | 66019 | 66017 | 66010 | 66012 | 10 | 180 | |
| | | 4 | 66184 | 66189 | 6618 | 66187 | 66180 | 66182 | 10 | 205 | |
| | | 5 | 66234 | 66239 | 6623 | 66237 | 66230 | 66232 | 10 | 260 | |
| | 32 | 3 | 68014 | 6801 | 68019 | 68017 | 68010 | 68012 | 10 | 290 | |
| | | 4 | 68184 | 68189 | 6818 | 68187 | 68180 | 68182 | 10 | 300 | |
| | | 5 | 68234 | 68239 | 6823 | 68237 | 68230 | 68232 | 10 | 315 | |
| ■ ■ ■ ■ ■ ■ | | | | | | | | | | | |
| | | 3 | 69014 | 6901 | 69019 | 69017 | 69010 | 69012 | 5 | 980 | |
| | 63 | 4 | 69184 | 69189 | 6918 | 69187 | 69180 | 69182 | 5 | 1030 | |
| | | 5 | 69234 | 69239 | 6923 | 69237 | 69230 | 69232 | 5 | 1100 | |

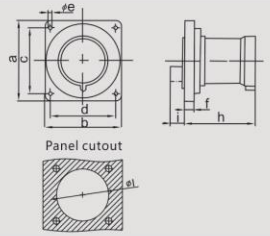
Surface mount socket Panel mount inlet IP44、IP67

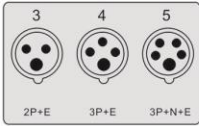
| | | | | | | | | |
|---|---------------------------------|--------------------------------|----------|----------|--------------------------------|----------|----------|--|
|  | Amp. | 16 | | | 32 | | | Surface mount socket <ul style="list-style-type: none"> ● Cable Inlet: One top (opening) The below hole(closed) One bottom hole(closed) ● More wiring space ● IP65 ▲▲ |
| | Poles | 3 | 4 | 5 | 3 | 4 | 5 | |
| | a | 110 | 110 | 125 | 125 | 125 | 125 | |
| | b | 100 | 100 | 115 | 115 | 115 | 115 | |
| | c | 125 | 132 | 149 | 156 | 156 | 156 | |
| | d | 80 | 80 | 95 | 95 | 95 | 95 | |
| | e | 78 | 78 | 83 | 83 | 83 | 83 | |
| | f | 5.5 | 5.5 | 5.5 | 5.5 | 5.5 | 5.5 | |
| | g | 5 | 5 | 5 | 5 | 5 | 5 | |
| | h | 145 | 147 | 163 | 173 | 173 | 173 | |
| | i | 88 | 88 | 102 | 102 | 102 | 102 | |
| | pg | 16 | 16 | 21 | 21 | 21 | 21 | |
| | pg* | pg16 Blind entry to be cut out | | | pg21 Blind entry to be cut out | | | |
| | Min wire size(mm ²) | 1.5 | 1.5 | 1.5 | 2.5 | 2.5 | 2.5 | |
| | Max wire size(mm ²) | 4 | 4 | 4 | 6 | 6 | 6 | |

| | | | | | | | | |
|---|---------------------------------|----------|----------|----------|----------|----------|----------|--|
|  | Amp. | 16 | | | 32 | | | Surface mount socket <ul style="list-style-type: none"> ● Cable Inlet: One top (opening) One bottom hole(closed) ● IP67 ▲▲ |
| | Poles | 3 | 4 | 5 | 3 | 4 | 5 | |
| | a | 71 | 71 | 81 | 81 | 81 | 81 | |
| | b | 83 | 83 | 102 | 102 | 102 | 102 | |
| | c | 135 | 140 | 156 | 165 | 165 | 165 | |
| | d | 78 | 82 | 90 | 94 | 94 | 98 | |
| | e | 60 | 60 | 70 | 70 | 70 | 70 | |
| | f | 33.5 | 33.5 | 47.5 | 47.5 | 47.5 | 47.5 | |
| | g | 13 | 13 | 12.5 | 12.5 | 12.5 | 12.5 | |
| | i | 5.3 | 5.3 | 5.3 | 5.3 | 5.3 | 5.3 | |
| | k | 8.5 | 8.5 | 8.5 | 8.5 | 8.5 | 8.5 | |
| | l | 23 | 23 | 23 | 23 | 23 | 23 | |
| | m | 37 | 37 | 37 | 33 | 33 | 33 | |
| | pg | 21 | 21 | 21 | 21 | 21 | 21 | |
| | Min wire size(mm ²) | 1.5 | 1.5 | 1.5 | 2.5 | 2.5 | 2.5 | |
| | Max wire size(mm ²) | 4 | 4 | 4 | 6 | 6 | 6 | |

| | | | | | | | | |
|---|---------------------------------|----------|----------|----------|--|--|--|---|
|  | Amp. | 63 | | | | | | Surface mount socket <ul style="list-style-type: none"> ● Cable Inlet: in tail opening One bottom hole(closed) ● More wiring space ● IP67 ▲▲ |
| | Poles | 3 | 4 | 5 | | | | |
| | a | 122.5 | 122.5 | 122.5 | | | | |
| | b | 160.2 | 160.2 | 160.2 | | | | |
| | c | 225.6 | 225.6 | 225.6 | | | | |
| | d | 134.4 | 134.4 | 134.4 | | | | |
| | e | 108 | 108 | 108 | | | | |
| | f | 120 | 120 | 120 | | | | |
| | g | 39.4 | 39.4 | 39.4 | | | | |
| | h | 6 | 6 | 6 | | | | |
| | i | 12 | 12 | 12 | | | | |
| | Min wire size(mm ²) | 6 | 6 | 6 | | | | |
| | Max wire size(mm ²) | 25 | 25 | 25 | | | | |

| | | | | | | | | |
|---|---------------------------------|----------|----------|----------|----------|----------|----------|---|
|  | Amp. | 16 | | | 32 | | | Panel mount inlet <ul style="list-style-type: none"> ● Flange: 16A、3P、4P:65mmX65mm Others:75mmX75mm ● IP44 ▲ |
| | Poles | 3 | 4 | 5 | 3 | 4 | 5 | |
| | a | 65 | 65 | 75 | 75 | 75 | 75 | |
| | b | 65 | 65 | 75 | 75 | 75 | 75 | |
| | c | 52 | 52 | 60 | 60 | 60 | 60 | |
| | d | 52 | 52 | 60 | 60 | 60 | 60 | |
| | e | 5.5 | 5.5 | 5.5 | 5.5 | 5.5 | 5.5 | |
| | f | 7 | 7 | 7 | 7 | 7 | 7 | |
| | h | 43 | 43 | 43 | 53 | 53 | 53 | |
| | i | 24 | 24 | 24 | 30 | 30 | 30 | |
| | k | 40 | 48 | 61 | 53 | 57 | 60 | |
| | m | 26 | 26 | 30 | 30 | 30 | 30 | |
| | Min wire size(mm ²) | 1.5 | 1.5 | 1.5 | 2.5 | 2.5 | 2.5 | |
| | Max wire size(mm ²) | 4 | 4 | 4 | 10 | 10 | 10 | |

| | | | | | | | | |
|---|---------------------------------|----------|----------|----------|--|--|--|---|
|  | Amp. | 63 | | | | | | Panel mount inlet <ul style="list-style-type: none"> ● Flange: 110mmX106mm ● IP44 ▲ |
| | Poles | 3 | 4 | 5 | | | | |
| | a | 110 | 110 | 110 | | | | |
| | b | 106 | 106 | 106 | | | | |
| | c | 90 | 90 | 90 | | | | |
| | d | 90 | 90 | 90 | | | | |
| | e | 5.5 | 5.5 | 5.5 | | | | |
| | f | 13 | 13 | 13 | | | | |
| | h | 100 | 100 | 100 | | | | |
| | i | 19 | 19 | 19 | | | | |
| | l | 93 | 93 | 93 | | | | |
| | Min wire size(mm ²) | 6 | 6 | 6 | | | | |
| | Max wire size(mm ²) | 25 | 25 | 25 | | | | |



Amps Poles

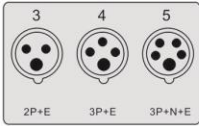


3pole 4pole 5pole 3pole 4pole 5pole 3pole 4pole 5pole 3pole 4pole 5pole 3pole 4pole 5pole 3pole 4pole 5pole
4h 4h 4h 6h 9h 9h 9h 6h 6h 7h 7h 7h 10h 10h 10h 2h 2h 2h

Pack unit

Net weight

| | A | P | TYP | ■ | ■ | ■ | ■ | ■ | ■ | pcs/package | g/pcs |
|--|----|-------|-------|-------------|-------------|-------|-------|-------|------|-------------|-------|
| | 16 | 3 | 66024 | 6602 | 66029 | 66027 | 66020 | 66022 | 10 | 200 | |
| | | 4 | 66194 | 66199 | 6619 | 66197 | 66190 | 66192 | 10 | 225 | |
| | | 5 | 66244 | 66249 | 6624 | 66247 | 66240 | 66242 | 10 | 280 | |
| | 32 | 3 | 68024 | 6802 | 68029 | 68027 | 68020 | 68022 | 10 | 310 | |
| | | 4 | 68194 | 68199 | 6819 | 68197 | 68190 | 68192 | 10 | 320 | |
| | | 5 | 68244 | 68249 | 6824 | 68247 | 68240 | 68242 | 10 | 335 | |
| | | | ■ | ■ | ■ | ■ | ■ | | | | |
| | 16 | 3 | 86024 | 8602 | 86029 | 86027 | 86020 | 86022 | 10 | 195 | |
| | | 4 | 86194 | 86199 | 8619 | 86197 | 86190 | 86192 | 10 | 220 | |
| | | 5 | 86244 | 86249 | 8624 | 86247 | 86240 | 86242 | 10 | 270 | |
| | 32 | 3 | 88024 | 8802 | 88029 | 88027 | 88020 | 88022 | 10 | 275 | |
| | | 4 | 88194 | 88199 | 8819 | 88197 | 88190 | 88192 | 10 | 310 | |
| | | 5 | 88244 | 88249 | 8824 | 88247 | 88240 | 88242 | 10 | 320 | |
| | | | ■ | ■ | ■ | ■ | ■ | | | | |
| | | 3 | 69024 | 6902 | 69029 | 69027 | 69020 | 69022 | 5 | 1020 | |
| | 63 | 4 | 69194 | 69199 | 6919 | 69197 | 69190 | 69192 | 5 | 1070 | |
| | 5 | 69244 | 69249 | 6924 | 69247 | 69240 | 69242 | 5 | 1140 | | |
| | | | ■ | ■ | ■ | ■ | ■ | | | | |
| | 16 | 3 | 5314 | 531 | 5319 | 5317 | 5310 | 5312 | 10 | 70 | |
| | | 4 | 5334 | 5339 | 533 | 5337 | 5330 | 5332 | 10 | 100 | |
| | | 5 | 5354 | 5359 | 535 | 5357 | 5350 | 5352 | 10 | 120 | |
| | 32 | 3 | 5814 | 581 | 581900 | 5817 | 5810 | 5812 | 10 | 160 | |
| | | 4 | 5834 | 5839 | 583 | 5837 | 5830 | 5832 | 10 | 170 | |
| | | 5 | 5854 | 5859 | 585 | 5857 | 5850 | 5852 | 10 | 180 | |
| | | | ■ | ■ | ■ | ■ | ■ | | | | |
| | | 3 | 5414 | 541 | 5419 | 5417 | 5410 | 5412 | 5 | 500 | |
| | 63 | 4 | 5434 | 5439 | 543 | 5437 | 5430 | 5432 | 5 | 510 | |
| | 5 | 5454 | 5459 | 545 | 5457 | 5450 | 5452 | 5 | 530 | | |



Amps Poles

110V
50-60Hz

230V
50-60Hz

400V
50-60Hz

500V
50-60Hz

100-300
Hz
>50V

300-500
Hz
>50V

Pack unit

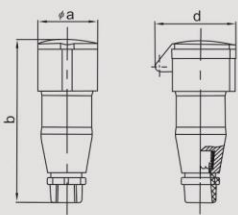
Net weight

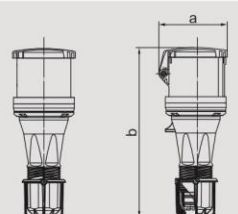
3pole 4pole 5pole 3pole 4pole 5pole 3pole 4pole 5pole 3pole 4pole 5pole 3pole 4pole 5pole 3pole 4pole 5pole
4h 4h 4h 6h 9h 9h 9h 6h 6h 7h 7h 7h 10h 10h 10h 2h 2h 2h

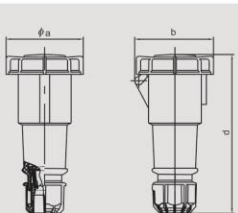
| | A | P | TYP | 110V | 230V | 400V | 500V | 100-300 Hz | 300-500 Hz | pcs/package | g/pcs |
|--|-----|---|------|------------|------------|------|------|------------|------------|-------------|-------|
| | 16 | 3 | 8314 | 831 | 8319 | 8317 | 8310 | 8312 | 10 | 155 | |
| | | 4 | 8334 | 8339 | 833 | 8337 | 8330 | 8332 | 10 | 180 | |
| | | 5 | 8354 | 8359 | 835 | 8357 | 8350 | 8352 | 10 | 210 | |
| | 32 | 3 | 8814 | 881 | 881900 | 8817 | 8810 | 8812 | 10 | 240 | |
| | | 4 | 8834 | 8839 | 883 | 8837 | 8830 | 8832 | 10 | 255 | |
| | | 5 | 8854 | 8859 | 885 | 8857 | 8850 | 8852 | 10 | 300 | |
| | 63 | 3 | 5714 | 571 | 5719 | 5717 | 5710 | 5712 | 5 | 520 | |
| | | 4 | 5734 | 5739 | 573 | 5737 | 5730 | 5732 | 5 | 530 | |
| | | 5 | 5754 | 5759 | 575 | 5757 | 5750 | 5752 | 5 | 550 | |
| | 125 | 3 | 4714 | 471 | 4719 | 4717 | 4710 | 4712 | 3 | 812 | |
| | | 4 | 4734 | 4739 | 473 | 4737 | 4730 | 4732 | 3 | 924 | |
| | | 5 | 4754 | 4759 | 475 | 4757 | 4750 | 4752 | 3 | 1036 | |
| | 16 | 3 | 6314 | 631 | 6319 | 6317 | 6310 | 6312 | 10 | 150 | |
| | | 4 | 6334 | 6339 | 633 | 6337 | 6330 | 6332 | 10 | 170 | |
| | | 5 | 6354 | 6359 | 635 | 6357 | 6350 | 6352 | 10 | 230 | |
| | 32 | 3 | 6814 | 681 | 6819 | 6817 | 6810 | 6812 | 10 | 260 | |
| | | 4 | 6834 | 6839 | 683 | 6837 | 6830 | 6832 | 10 | 260 | |
| | | 5 | 6854 | 6859 | 685 | 6857 | 6850 | 6852 | 10 | 275 | |

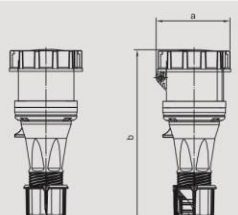
Connector

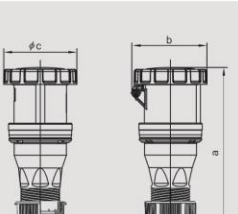
IP44 、 IP67

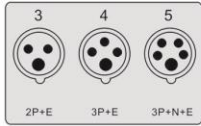
| | | | | | | | |
|---|--|----------|----------|----------|----------|----------|----------|
|  | Amp. | 16 | | | 32 | | |
| | Poles | 3 | 4 | 5 | 3 | 4 | 5 |
| | a | 51 | 58 | 64 | 66 | 66 | 72 |
| | b | 150 | 151 | 155 | 198 | 198 | 200 |
| | d | 71 | 79 | 85 | 93 | 93 | 99 |
| | Min wire size(mm ²) | 1.5 | 1.5 | 1.5 | 2.5 | 2.5 | 2.5 |
| | Max wire size(mm ²) | 4 | 4 | 4 | 6 | 6 | 6 |
| | Cable outer diameter range (mm) | 10~13 | 10~13 | 10~13 | 13~19 | 13~19 | 13~19 |
| | Connector • Clamping cable fix • IP44 ▲ | | | | | | |

| | | | | | | | |
|---|--|----------|----------|----------|--|--|--|
|  | Amp. | 63 | | | | | |
| | Poles | 3 | 4 | 5 | | | |
| | a | 108 | 108 | 108 | | | |
| | b | 271 | 271 | 271 | | | |
| | Min wire size (mm ²) | 10 | 10 | 10 | | | |
| | Max wire size (mm ²) | 16 | 16 | 16 | | | |
| | Cable outer diameter range (mm) | 20~31 | 20~31 | 20~31 | | | |
| | Connector • With cable clamp • IP44 ▲ | | | | | | |

| | | | | | | | |
|---|---|----------|----------|----------|----------|----------|----------|
|  | Amp. | 16 | | | 32 | | |
| | Poles | 3 | 4 | 5 | 3 | 4 | 5 |
| | a | 77.2 | 84 | 96 | 103 | 103 | 108.5 |
| | b | 82 | 90 | 98 | 101 | 101 | 108.5 |
| | d | 156 | 169 | 182 | 209 | 209 | 209 |
| | Min wire size (mm ²) | 1.5 | 1.5 | 1.5 | 2.5 | 2.5 | 2.5 |
| | Max wire size (mm ²) | 4 | 4 | 4 | 6 | 6 | 6 |
| | Cable outer diameter range (mm) | 10~13 | 10~13 | 10~13 | 13~19 | 13~19 | 13~19 |
| | Connector • Clamping cable fix • IP67 ▲▲ | | | | | | |

| | | | | | | | |
|---|---|----------|----------|----------|--|--|--|
|  | Amp. | 63 | | | | | |
| | Poles | 3 | 4 | 5 | | | |
| | a | 113.5 | 113.5 | 113.5 | | | |
| | b | 272 | 272 | 272 | | | |
| | Min wire size (mm ²) | 6 | 6 | 6 | | | |
| | Max wire size (mm ²) | 25 | 25 | 25 | | | |
| | Cable outer diameter range (mm) | 20~31 | 20~31 | 20~31 | | | |
| | Connector • Clamping cable fix • IP67 ▲▲ | | | | | | |

| | | | | | | | |
|---|---|----------|----------|----------|--|--|--|
|  | Amp. | 125 | | | | | |
| | Poles | 3 | 4 | 5 | | | |
| | a | 300 | 300 | 300 | | | |
| | b | 132 | 132 | 132 | | | |
| | c | 126 | 126 | 126 | | | |
| | Min wire size(mm ²) | 25 | 25 | 25 | | | |
| | Max wire size(mm ²) | 70 | 70 | 70 | | | |
| | Cable outer diameter range | 30~47 | 30~47 | 30~47 | | | |
| | Connector • Clamping cable fix • IP67 ▲▲ | | | | | | |







Amps Poles




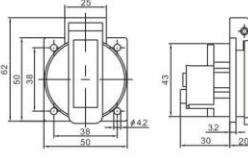
Pack unit


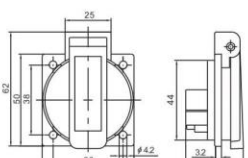
Net weight


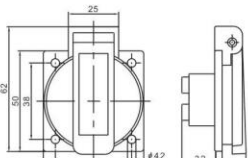
3pole 4pole 5pole 3pole 4pole 5pole 3pole 4pole 5pole 3pole 4pole 5pole 3pole 4pole 5pole 3pole 4pole 5pole


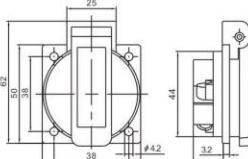
| | A | P | TYP | 110V | 230V | 400V | 500V | 100-300 Hz | 300-500 Hz | pcs/package | g/pcs |
|---|-----|-------|-------------|-------------|-------------|-------|-------|------------|------------|-------------|-------|
|  | 16 | 3 | 26014 | 2601 | 26019 | 26017 | 26010 | 26012 | 10 | 165 | |
| | | 4 | 26184 | 26189 | 2618 | 26187 | 26180 | 26182 | 10 | 190 | |
| | | 5 | 26234 | 26239 | 2623 | 26237 | 26230 | 26232 | 10 | 225 | |
| | 32 | 3 | 28014 | 2801 | 28019 | 28017 | 28010 | 28012 | 10 | 280 | |
| | | 4 | 28184 | 28189 | 2818 | 28187 | 28180 | 28182 | 10 | 295 | |
| | | 5 | 28234 | 28239 | 2823 | 28237 | 28230 | 28232 | 10 | 330 | |
|  | 3 | 29014 | 2901 | 29019 | 29017 | 29010 | 29012 | 5 | 800 | | |
| | 63 | 4 | 29184 | 29189 | 2918 | 29187 | 29180 | 29182 | 5 | 840 | |
| | 5 | 29234 | 29239 | 2923 | 29237 | 29230 | 29232 | 5 | 880 | | |
|  | 16 | 3 | 26024 | 2602 | 26029 | 26027 | 26020 | 26022 | 10 | 240 | |
| | | 4 | 26194 | 26199 | 2619 | 26197 | 26190 | 26192 | 10 | 190 | |
| | | 5 | 26244 | 26249 | 2624 | 26247 | 26240 | 26242 | 10 | 310 | |
| | 32 | 3 | 28024 | 2802 | 28029 | 28027 | 28020 | 28022 | 10 | 370 | |
| | | 4 | 28194 | 28199 | 2819 | 28197 | 28190 | 28192 | 10 | 380 | |
| | | 5 | 28244 | 28249 | 2824 | 28247 | 28240 | 28242 | 10 | 410 | |
|  | 3 | 29024 | 2902 | 29029 | 29027 | 29020 | 29022 | 5 | 830 | | |
| | 63 | 4 | 29194 | 29199 | 2919 | 29097 | 29190 | 29192 | 5 | 860 | |
| | 5 | 29244 | 29249 | 2924 | 29247 | 29240 | 29242 | 5 | 920 | | |
|  | 3 | 27024 | 2702 | 27029 | 27027 | 27020 | 27022 | 3 | 1268 | | |
| | 125 | 4 | 27194 | 27199 | 2719 | 27197 | 27190 | 27192 | 3 | 1383 | |
| | 5 | 27244 | 27249 | 2724 | 27247 | 27240 | 27242 | 3 | 1498 | | |

Socket


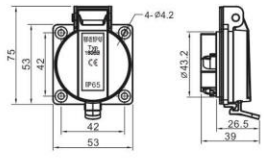
| | | | | | | |
|--|---|------|------|-------|-------------|---------------|
|  |  | Amp. | Typ | Color | Pcs/package | Weight(g/pcs) |
| | | 16A | 1601 | Blue | 20 | 50 |
| Socket <ul style="list-style-type: none"> • 2 Pin with protective pulg • IP44 | | | | | | |

| | | | | | | |
|---|---|------|------|-------|-------------|---------------|
|  |  | Amp. | Typ | Color | Pcs/package | Weight(g/pcs) |
| | | 10A | 1606 | Blue | 20 | 45 |
| 2 Pin single phase socket <ul style="list-style-type: none"> • IP44 | | | | | | |

| | | | | | | |
|---|---|------|------|-------|-------------|---------------|
|  |  | Amp. | Typ | Color | Pcs/package | Weight(g/pcs) |
| | | 10A | 1607 | Blue | 20 | 35 |
| T Socket <ul style="list-style-type: none"> • IP44 | | | | | | |

| | | | | | | |
|---|---|------|------|-------|-------------|---------------|
|  |  | Amp. | Typ | Color | Pcs/package | Weight(g/pcs) |
| | | 16A | 1608 | Blue | 20 | 50 |
| 3 Pin single phase socket <ul style="list-style-type: none"> • IP44 | | | | | | |


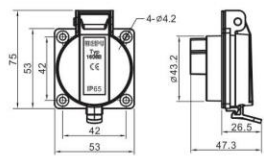
Connector IP rating: IP44
 Pulg IP rating: IP44
 Socket IP rating: IP65

| Amp. | Typ | Color | Pcs/package | Weight(g/pcs) |
|------|-------|-------|-------------|---------------|
| 16A | 1608B | Blue | 20 | 71.2 |

3 Pin single phase socket


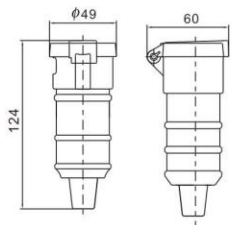
- IP65

| Amp. | Typ | Color | Pcs/package | Weight(g/pcs) |
|------|-------|-------|-------------|---------------|
| 10A | 1609B | Blue | 20 | 75 |

Multi-functional socket


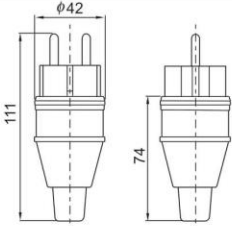
- IP65

| Amp. | Typ | Color | Pcs/package | Weight(g/pcs) |
|------|------|----------|-------------|---------------|
| 16A | 1602 | 蓝色(Bule) | 10 | 95 |

Connector

- With self-covering and cable gland
- IP44 ⚠

| Amp. | Typ | Color | Pcs/package | Weight(g/pcs) |
|------|-----|----------|-------------|---------------|
| 16A | 131 | 蓝色(Bule) | 20 | 45 |

Plug


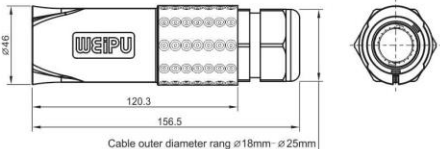






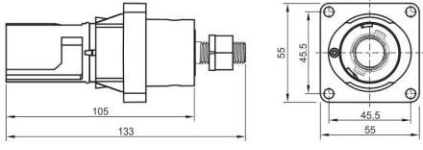





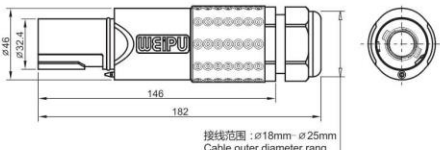





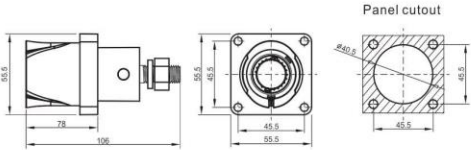




- 2 Pin with protective plug
- IP44 ⚠



WH400A series IP rating: IP67

Material and spec

| | | | |
|-------------------|---------------------------|----------------------------------|------------------------|
| Shell | PA6, UL94 V-0 | Insulation resistance (MΩ) | ≥ 500MΩ |
| Insert material | PA6, UL94 V-0 | Test voltage (AC.V) 1 min | 3000 |
| Contact material | Brass with silver plating | Wire size (mm ² /AWG) | 185mm ² max |
| Termination | Screw | Rated current (A) | 400 |
| Mating cycle | 500 | Rated voltage (AC.V) | 600 |
| Temperature range | -25°C~+85°C | Contact resistance (mΩ) | ≤2.5mΩ |

| | | Phase sequence | Part number | Colour |
|---|---|---|---|---|
|  | Male-contact plug  | L1 | WH400A-TJ-L1 |  |
| | | L2 | WH400A-TJ-L2 |  |
| | | L3 | WH400A-TJ-L3 |  |
| | | N | WH400A-TJ-N |  |
| | | PE | WH400A-TJ-PE |  |
| | |  | Female-contact socket  | L1 |
| L2 | WH400A-ZK-L2 | | |  |
| L3 | WH400A-ZK-L3 | | |  |
| N | WH400A-ZK-N | | |  |
| PE | WH400A-ZK-PE | | |  |
|  | Female-contact plug  | | | L1 |
| | | L2 | WH400A-TK-L2 |  |
| | | L3 | WH400A-TK-L3 |  |
| | | N | WH400A-TK-N |  |
| | | PE | WH400A-TK-PE |  |
| | |  | Male-contact socket  | L1 |
| L2 | WH400A-ZJ-L2 | | |  |
| L3 | WH400A-ZJ-L3 | | |  |
| N | WH400A-ZJ-N | | |  |
| PE | WH400A-ZJ-PE | | |  |

IP67

WH400A Series



Combined Distribution Boxes

- The distribution boxes can be combined according to your needs
- Patent design



IP rating: IP44 & IP66

Shell material: PC+ABS

Temperature: -40°C~85°C

Colour: Base: Black

Lid: White (Standard)

Yellow (Customized)

Green (Customized)

Mark the customized color behind the part number

YE: yellow, GN: green

Easy Installation • Multiple Combination



Fix the lid by hinge



Inside combining-device for connecting the boxes



Combining-device for connecting the boxes



Screw hole on the bottom of bolt

Combined Distribution Boxes



| SOCKET | SOCKET | SOCKET | SOCKET |
|--|----------------------------|--|--|
| 4 civilian socket 16A 220V 1 TYP5602 16A 220V | 8 civilian socket 16A 220V | 3 civilian socket 16A 220V 1 TYP5824 32A 380V | 3 civilian socket 16A 220V 2 TYP5823 32A 380V |
| PROTECT | PROTECT | PROTECT | PROTECT |
| 5 Miniature circuit breaker 16A 1P | None | 1 Miniature circuit breaker 32A 3P 3 Miniature circuit breaker 16A 1P | None |
| SIZE | SIZE | SIZE | SIZE |
| 450X140X90mm (L×W × H) | 450X140X90mm (L×W × H) | 300X240X160mm (L×W × H) | 300X240X160mm (L×W × H) |
| P/N | P/N | P/N | P/N |
| TYP4514-1 | TYP4514-2 | TYP3024-1 | TYP3024B-1 |
| IP rating: IP65 | IP rating: IP44 | IP rating: IP65 | IP rating: IP44 |

Combined Distribution Boxes



| SOCKET | SOCKET | SOCKET | SOCKET |
|--|--|--|--|
| 2 TYP5824 32A 380V 1 TYP5924 63A 380V | 3 civilian socket 16A 220V 2 TYP5823 32A 380V | 3 TYP5602 16A 220V 1 TYP5824 32A 380V 1 TYP5924 63A 380V | 4 civilian socket 16A 220V 2个 TYP5601 16A 220V 2个 TYP5823 32A 380V |
| PROTECT | PROTECT | PROTECT | PROTECT |
| 2 Miniature circuit breaker 32A 3P 1 Miniature circuit breaker 63A 3P | 2 Miniature circuit breaker 32A 3P 3 Miniature circuit breaker 16A 1P | 1 Miniature circuit breaker 32A 3P 3 Miniature circuit breaker 16A 1P 1 Miniature circuit breaker 63A 3P | 2 Miniature circuit breaker 32A 3P 6 Miniature circuit breaker 16A 1P |
| SIZE | SIZE | SIZE | SIZE |
| 430X240X160mm (L×W×H) | 430X240X160mm (L×W×H) | 430X320X160mm (L×W×H) | 430X320X160mm (L×W×H) |
| P/N | P/N | P/N | P/N |
| TYP4324-1 | TYP4324-2 | TYP4332-1 | TYP4332-2 |
| IP rating: IP66 | IP rating: IP44 | IP rating: IP66 | IP rating: IP44 |

Combined Distribution Boxes



SOCKET

4 TYP5824 32A 380V

PROTECT

1 Miniature circuit breaker 125A 4P
4 Miniature circuit breaker 32A 3P

SIZE

Coalition 2 300X240X160mm (L x W x H)

P/N

TYP3048

IP rating: IP66

SOCKET

3 civilian socket 16A 220V
4 TYP5823 32A 380V
1 TYP5924 63A 380V

PROTECT

1 Miniature circuit breaker 16A 1P
4 Miniature circuit breaker 32A 3P
1 Miniature circuit breaker 63A 3P

SIZE

Coalition 2 430X240X160mm (L x W x H)

P/N

TYP4348

IP rating: IP44

Combined Distribution Boxes



SOCKET

4 civilian socket 16A 220V
 4 TYP5824 32A 380V
 1 TYP5924 63A 380V

PROTECT

4 Miniature circuit breaker 16A 1P
 4 Miniature circuit breaker 32A 3P
 1 Miniature circuit breaker 63A 3P

SIZE

Coalition 1 430X240X160mm (L x W x H)
 1 430X320X160mm (L x W x H)

P/N

TYP4356

IP rating: IP65

SOCKET

4 TYP5824 32A 380V

PROTECT

1 Miniature circuit breaker 100A 1P
 2 Miniature circuit breaker 16A 3P
 2 Miniature circuit breaker 32A 3P

SIZE

Coalition 2 300X240X160mm (L x W x H)

P/N

TYP6024

IP rating: IP66

Combined Distribution Boxes



SOCKET

3 civilian socket 16A 220V
 2 TYP5824 32A 380V
 1 TYP5924 63A 380V

SOCKET

3 civilian socket 16A 220V
 2 TYP5824 32A 380V
 2 TYP5924 63A 380V

PROTECT

1 Miniature circuit breaker 125A 4P
 1 Miniature circuit breaker 63A 3P
 2 Miniature circuit breaker 32A 3P
 3 Miniature circuit breaker 16A 1P

PROTECT

1 Molded case circuit breaker 125A 6P
 2 Miniature circuit breaker 63A 3P
 2 Miniature circuit breaker 32A 3P
 3 Miniature circuit breaker 32A 1P

SIZE

Coalition 1 430X240X160mm (L x W x H)
 1 300X240X160mm (L x W x H)

SIZE

Coalition 4 300X240X160mm (L x W x H)

P/N

TYP7324

IP rating: IP65

P/N

TYP6048

IP rating: IP65

Combined Distribution Boxes



SOCKET

3 civilian socket 16A 220V
2 TYP5601 16A 220V
4 TYP5801 32A 220V
2↑ TYP5823 32A 380V
1↑ TYP5924 63A 380V

PROTECT

1 Molded case circuit breaker 125A 6P
1 Miniature circuit breaker 63A 3P
4 Miniature circuit breaker 32A 1P
2 Miniature circuit breaker 32A 3P
5 Miniature circuit breaker 16A 1P

SIZE

Coalition 2 430X240X160mm (L x W x H)
2 300X240X160mm (L x W x H)

P / N

TYP7348

IP rating: IP44

Combined Distribution Boxes



P/N
TYP4514

SIZE
450X140X90mm (L x W x H)

IP rating: IP66



P/N
TYP4324

SIZE
430X240X160mm (L x W x H)

IP rating: IP66



P/N
TYP3024

SIZE
300X240X160mm (L x W x H)

IP rating: IP66



P/N
TYP4332

SIZE
430X320X160mm (L x W x H)

IP rating: IP66



P/N
TYP3024B

SIZE
300X240X160mm (L x W x H)

IP rating: IP66



Hanging Distribution Box



IP rating: IP44 & IP66

Shell material: PC+ABS

Temperature: -40°C ~ 85°C

Colour: Base: Black

Lid: White (Standard)

Yellow (Customized)

Green (Customized)

Mark the customized color behind the part number

YE: yellow, GN: green



Fix the lid by hinge



Optional nozzle
for compressed
air



Can hang it up or put on floor



Hanging Distribution Box



| SOCKET | SOCKET | SOCKET |
|--|--|--|
| 7 civilian socket 16A 220V 2 TYP5623 16A 380V 1 TYP3602 16A 220V | 6 civilian socket 16A 220V 1 TYP5601 16A 220V 1 TYP5623 16A 380V 2 TYP5823 32A 380V | 3 civilian socket 16A 220V 2 TYP5801 32A 220V 1 TYP3601 16A 220V 1 TYP3823 32A 380V |
| PROTECT | PROTECT | PROTECT |
| 7 Miniature circuit breaker 16A 1P 1 Miniature circuit breaker 32A 3P | None | 4 Miniature circuit breaker 16A 1P 2 Miniature circuit breaker 32A 1P 1 Miniature circuit breaker 32A 3P |
| SIZE | SIZE | SIZE |
| 322X243X220mm (L×W × H) | 322X243X220mm (L×W × H) | 322X243X220mm (L×W × H) |
| P/N | P/N | P/N |
| TYPD3224-1 | TYPD3224-2 | TYPD3224-3 |
| IP rating: IP65 | IP rating: IP44 | IP rating: IP44 |

Hanging Distribution Box



| SOCKET | SOCKET | SOCKET |
|-----------------------|--|-----------------------|
| 5 TYP3624 16A 380V | 2 civilian socket 16A 220V 2 TYP3823 32A 380V | 3 TYP3823 32A 380V |
| PROTECT | PROTECT | PROTECT |
| None | None | None |
| SIZE | SIZE | SIZE |
| 180X180X155mm (L×W×H) | 180X180X155mm (L×W×H) | 180X180X155mm (L×W×H) |
| P/N | P/N | P/N |
| TYPD1815-1 | TYPD1815-2 | TYPD1815-3 |
| IP rating: IP66 | IP rating: IP44 | IP rating: IP44 |

Hanging Distribution Box



| SOCKET | SOCKET | SOCKET |
|---------------------|--|--|
| 3 TYP5823 32A 380V | 1 civilian socket 16A 220V 1 TYP5824 32A 380V 1 TYP5602 16A 220V | 2 civilian socket 16A 220V 1 TYP5823 32A 380V |
| PROTECT | PROTECT | PROTECT |
| None | None | None |
| SIZE | SIZE | SIZE |
| 284X147mm (L×W×H) | 284X147mm (L×W×H) | 284X147mm (L×W×H) |
| P/N | P/N | P/N |
| TYPD2814-1 | TYPD2814-2 | TYPD2814-3 |
| IP rating: IP44 | IP rating: IP65 | IP rating: IP44 |



Distribution Box With Cable Reel



IP rating: IP44

Cable reel material and P/N: CRS cable reel: 38SP
PC: 33PP

Temperature: -25°C ~ 85°C

Distribution Box With Cable Reel



| | | |
|---|---|---|
| SOCKET | SOCKET | SOCKET |
| 2 TYP5823 32A 380V 1 TYP645 63A 380V | 2 TYP5601 16A 220V 1 TYP281 32A 220V | 4 civilian socket 16A 220V 1 TYP231 16A 220V |
| PROTECT | PROTECT | PROTECT |
| 1 Miniature circuit breaker 63A 3P | 1 Miniature circuit breaker 32A 1P | 1 Miniature circuit breaker 32A 1P |
| SIZE | SIZE | SIZE |
| 315X290X850mm (L×W×H) | 305X290X465mm (L×W×H) | 305X290X465mm (L×W×H) |
| P/N | P/N | P/N |
| TYP38SP | TYP33PP-1 | TYP33PP-2 |
| IP rating: IP44 | IP rating: IP44 | IP rating: IP44 |

New patent design to overturn your experience

STRONG AND DURABLE



- Rubber material, super strong strike resistance, low to minus 40°C environment.
- Multi-layer superimpose, patent design, break the space limitation.



Convenient lock, easy opening and closing



Built-in switch, fully use of space



Special designed handle, elegant and strong, cable can be stored over the handle, which is convenient!



One-piece hinge, can open and close separately



Steel casters, durable, energy saving

Rubber socket box: can be used directly after access to the power supply

Hinge on the back side, switch inside the box, can be seen after open the lid.
For more information, please contact us or go to www.weipu.cn.

IP44 



| SOCKET | SOCKET | SOCKET |
|--|--|--|
| 4 civilian socket 16A 230V 6 TYP5101 16A 230V | 4 civilian socket 16A 230V 6 TYP5624 16A 230V | 4 civilian socket 16A 230V 6 TYP5824 32A 380V |
| PROTECT | PROTECT | PROTECT |
| 2 Miniature circuit breaker 32A 1P 6 Miniature circuit breaker 16A 1P | 4 Miniature circuit breaker 16A 1P 4 Miniature circuit breaker 16A 3P | 4 Miniature circuit breaker 32A 1P 4 Miniature circuit breaker 32A 3P |
| SIZE | SIZE | SIZE |
| 320X320X320mm (long x wide x high) | 320X320X320mm (long x wide x high) | 320X320X320mm (long x wide x high) |
| P/N | P/N | P/N |
| TYP32321 | TYP32322 | TYP32323 |

Single-layer box, without handle and castor

Rubber socket box: can be used directly after access to the power supply




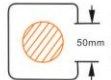

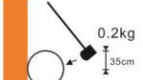
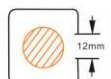
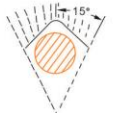
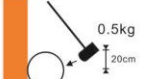
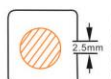
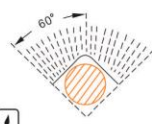
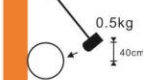
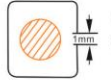



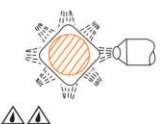






Hinge on the back side, switch inside the box, can be seen after open the lid.
For more information, please contact us or go to www.weipu.cn.

IP44 ▲

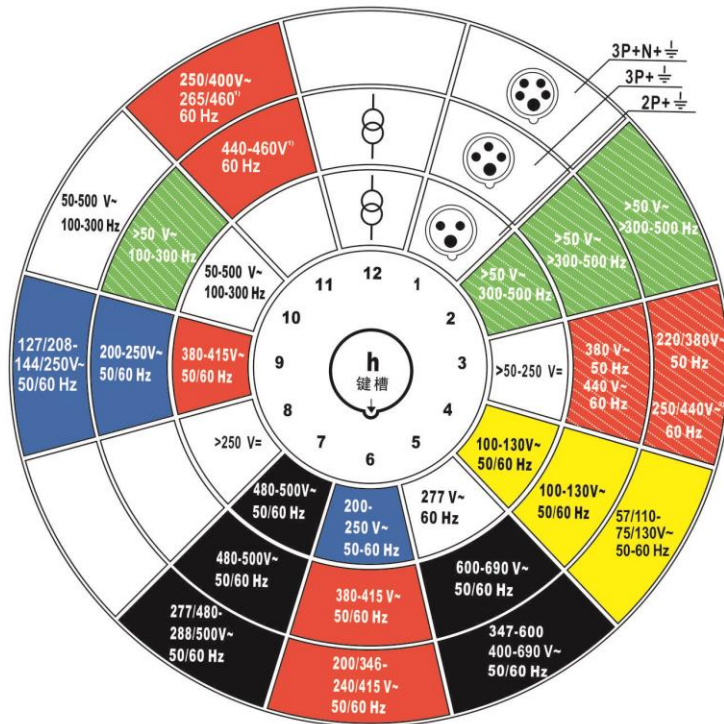


| SOCKET | SOCKET | SOCKET |
|---|---|---|
| 8 civilian socket 16A 230V 6 TYP5101 16A 230V 4 TYP5624 16A 380V | 8 civilian socket 16A 230V 4 TYP5624 16A 380V 4 TYP5824 32A 380V | 12 civilian socket 16A 230V 6 TYP5101 16A 230V 4 TYP5624 16A 380V 4 TYP5624 32A 380V |
| PROTECT | PROTECT | PROTECT |
| 1 Miniature circuit breaker 125A 4P 7 Miniature circuit breaker 32A 1P 2 Miniature circuit breaker 32A 3P | 1 Miniature circuit breaker 125A 4P 7 Miniature circuit breaker 32A 1P 2 Miniature circuit breaker 63A 3P | 1 Miniature circuit breaker 125A 4P 6 Miniature circuit breaker 32A 3P 2 Miniature circuit breaker 63A 3P |
| SIZE | SIZE | SIZE |
| 320X320X510mm (long x wide x high) | 320X320X510mm (long x wide x high) | 320X320X510mm (long x wide x high) |
| P/N | P/N | P/N |
| TYP32324 | TYP32325 | TYP32326 |

Multi-layer box, with handle and castor

| First digit | Ingress of solid objects | | Ingress of liquids | | Impact energy(in Joules) |
|-------------|---|---------|---|----------|--|
| IP 0 |  No protection | IP 0 |  No protection | IK 00 |  0 |
| 1 |  Protected against solid objects over 50mm e.g. hands, large tools | 1 |  Protected against vertically falling drops of water or condensation | 05 |  0.2kg 35cm 0.7 |
| 2 |  Protected against solid objects over 12.5mm e.g. hands, large tools | 2 |  Protected against falling drops of water, if the case is disposed up to 15° from vertical | 06 |  0.5kg 20cm 1 |
| 3 |  Protected against solid objects over 2.5mm e.g. wire, small tools | 3 |  Protected against sprays of water from any direction, even if the case is disposed up to 60° from vertical | 07 |  0.5kg 40cm 2 |
| 4 |  Protected against solid objects over 1.0mm e.g. wires | 4 |  Protected against splash water from any direction | 08 |  1.7kg 30cm 5 |
| 5 |  Limited protection against dust ingress. (no harmful deposit) | 5 |  Protected against low pressure water jets from any direction. Limited ingress permitted | 09 |  5kg 20cm 10 |
| 6 |  Totally protected against dust ingress | 6 |  Protected against high pressure water jets from any direction. Limited ingress permitted | 10 |  5kg 40cm 20 |
| | | 7 |  Protected against short periods of immersion in water | | |
| | | 8 |  Protected against long, durable periods of immersion in water | | |

All of the connectors are made according to IEC60309 standard equivalent to GB/T11918, GB/T11919, the color of the connector means the different voltage and frequency. It is safe because different plugs and sockets use different poles, diameters of poles and position to avoid mis-connection.



Sign:

~ AC

≡ DC

⊕ behind transformer

Each product shows current, voltage, frequency, grounding and key way clearly. For example: 16-6h/380-415V~3P+⊕ means 16A current, grounding position is 6h, 380V-415V~voltage: 4 poles.

The signs of grounding and key way on plugs are all match with involved receptacles.



www.weipuconnector.com
Edition: 10.2018